

fire hose cabinets  
fire tool stations & related  
equipment



# FIRE HOSE CABINETS

## FIRE TOOL STATIONS AND RELATIVE EQUIPMENT

### HOSE REEL CABINETS

ALL THE FIRE HOSE REEL CABINETS  
AND TOOL STATIONS ARE  
DELIVERED IN A CARTON BOX



CODE 0132029

#### MBK05 - FC - BIG

**Fire Hose Reel Cabinet.**  
Electrostatic Coating RAL 3000, UV - Protection  
**Silk Screening on Surface**

**DIMENSIONS (Height x Width x Depth): 700 x 630 x 180 mm**



CODE 0132031

#### KX06 - 002W4 - 00C

**Galvanized Fire Hose Reel Cabinet.**  
Electrostatic Coating RAL 3000, UV - Protection  
**Silk Screening on Surface**  
**Plate thickness: 1,5mm**

**DIMENSIONS (Height x Width x Depth): 700 x 630 x 180 mm**

Usage instructions at the inner of the door



# STAINLESS STEEL FIRE HOSE CABINET WITH STAINLESS STEEL REEL

DOOR OPENS BY PUSH OF STAINLESS STEEL BUTTON

ALL THE FIRE HOSE REEL CABINETS  
AND TOOL STATIONS ARE  
DELIVERED IN A CARTON BOX



CODE 0132068

**KX06 - 002W6 - 00B**

S.S. 316

CODE 0132016

**KX06 - 002W6 - 00**

S.S. 304

DIMENSIONS (Height x Width x Depth): 700 x 630 x 180 mm



WITH STAINLESS  
STEEL HOSE REEL

SHINNY



INOX

CODE 0132069

**KX06 - 002W2 - 00A**

STAINLESS STEEL FIRE CABINET WITH HOOK  
Door Opens by Push of Stainless Steel Button.

DIMENSIONS (Height x Width x Depth): 500 x 470 x 140 mm

SHINNY 316



INOX

Packaging With Carton Box for Safe Transport!  
Usage Instructions at the Inner of the Door.



# STAINLESS STEEL CABINET

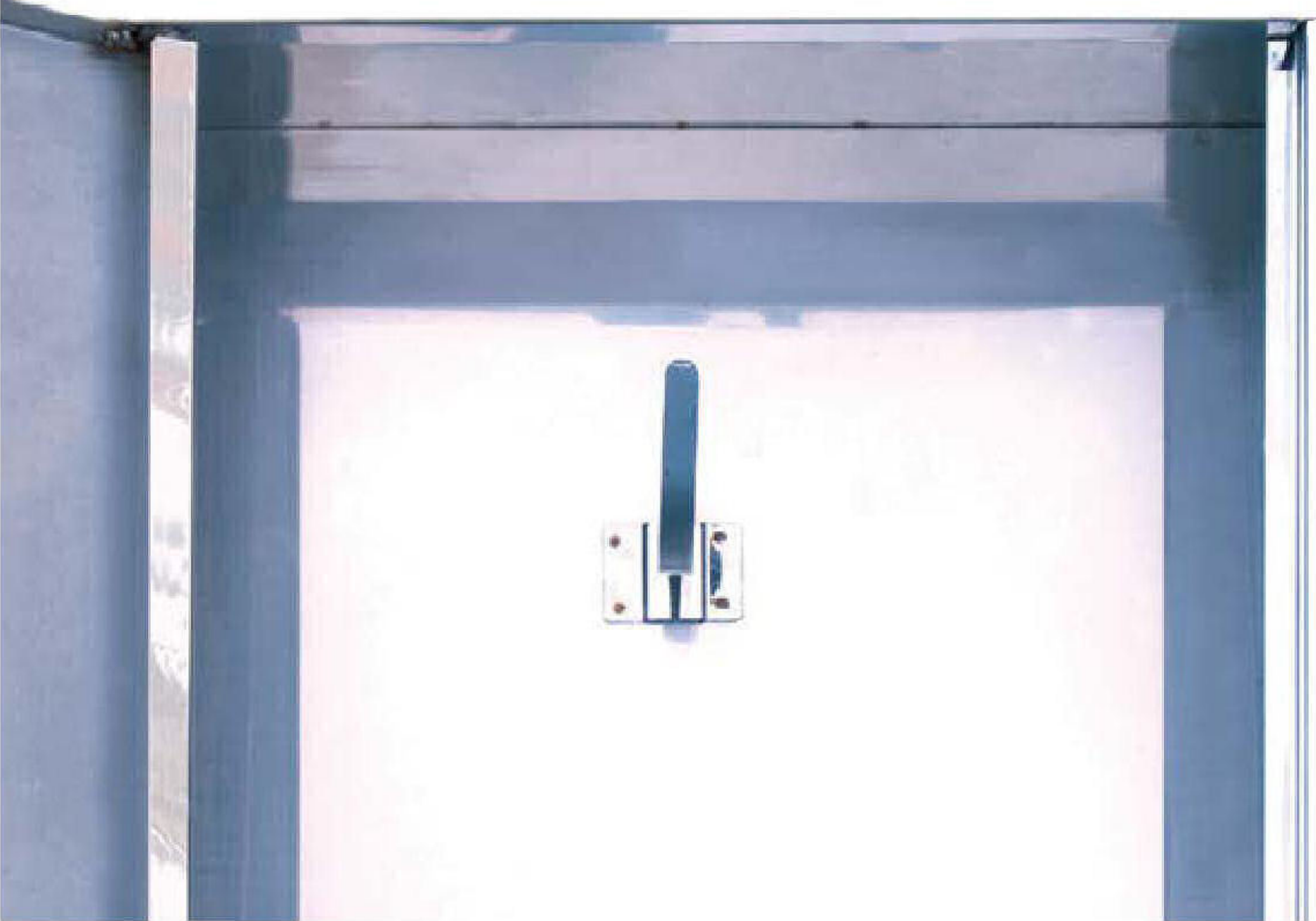
ALL THE FIRE HOSE REEL CABINETS  
AND TOOL STATIONS ARE  
DELIVERED IN A CARTON BOX

CODE 0132006

**KX06 - 002W2 - 00**

STAINLESS STEEL FIRE CABINET WITH HOOK.  
Door Opens by Push of Stainless Steel Button.

DIMENSIONS (Height x Width x Depth): 500 x 470 x 140 mm



SHINNY 304

**INOX**



CODE 0132173

**MBK19 - SSCABINET - 40X40**

STAINLESS STEEL FIRE CABINET WITH HOOK.  
Door Opens by Push of stainless Steel Button.

DIMENSIONS (Height x Width x Depth): 400 x 400 x 140 mm



SHINNY 304

**INOX**



Packaging with Carton Box for Safe Transport!  
Usage Instructions at the Inner of the Door.



# FIRE HOSE CABINETS

## FIRE TOOL STATIONS AND RELATIVE EQUIPMENT

EMPTY FIRE HOSE CABINETS & FIRE TOOL STATIONS

**ALL THE FIRE HOSE REEL CABINETS  
AND TOOL STATIONS ARE  
DELIVERED IN A CARTON BOX**



CODE 0132030

### **MBK05 - FC - SMALL**

**Fire Hose Cabinet with Hook**  
Electrostatic Coating RAL 3000  
UV - Protection.  
**Silk Screening on Surface.**

**DIMENSIONS (Height x Width x Depth): 500 x 470 x 140 mm**

CODE 0132082

### **MBK11 - H - SMALL**

**Fire Hose Cabinet with Hook**  
New Special Resistant (Wrinkle) Coating, RAL 3000 PAINTING  
**Silk Screening on Surface.**

**DIMENSIONS (Height x Width x Depth): 500 x 470 x 140 mm**



CODE 0132095

### **MBK13 - TN - SMALL**

**Fire Hose Cabinet with Hook**  
Electrostatic Coating RAL 3000 UV - Protection.  
**Silk Screening on Surface.**

**DIMENSIONS (Height x Width x Depth): 400 x 400 x 135 mm**

**Packaging with Carton Box for Safe Transport!**  
**Usage Instructions at the Inner of the Door.**



# FIRE HOSE CABINETS

## FIRE TOOL STATIONS AND RELATIVE EQUIPMENT

ALL THE FIRE HOSE REEL CABINETS  
AND TOOL STATIONS ARE  
DELIVERED IN A CARTON BOX



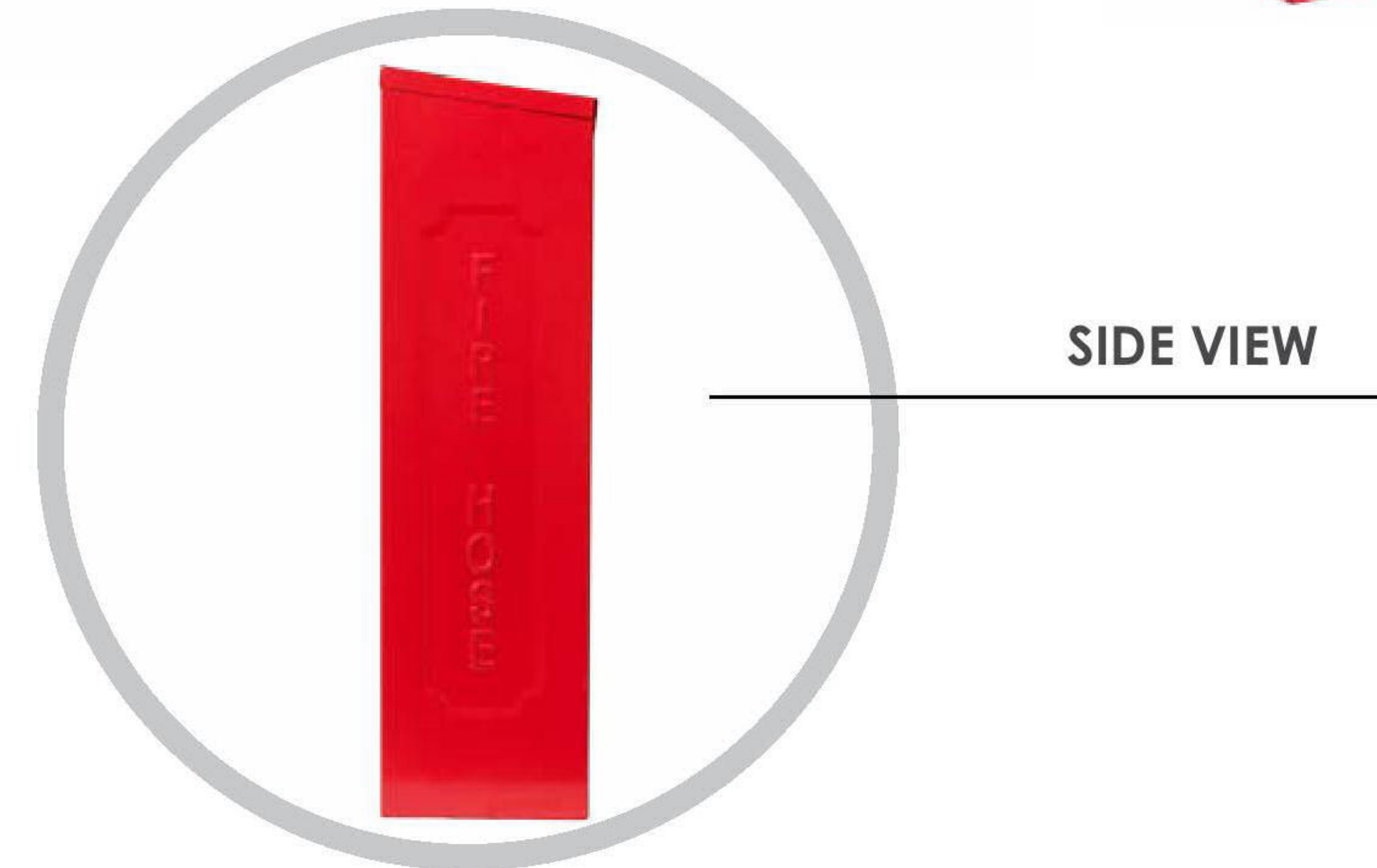
CODE 0132074

### MBK10 - SLOPE

**GALVANIZED** Fire Hose Cabinet with Hook  
(Plate Thickness 0.9mm )  
With Incline Top Surface!  
Special Resistant (Wrinkle) Coating, RAL 3000 PAINT  
Silk screening on surface

**DIMENSIONS** (Height x Width x Depth): 500 x 470 x 140 mm

Usage Instructions at the Inner of the Door.



SIDE VIEW



NEW

CODE 0132060

### MBK15 - CAB - ALUGL

Fire Cabinet with Transparent Safe Crashing Glass Door,  
with Usage Instructions Typed on the Glass Door.

**DIMENSIONS** (Height x Width x Depth): 590 x 365 x 165 mm



Packaging with Carton Box for Safe Transport!



# FIRE HOSE CABINETS

## FIRE TOOL STATIONS AND RELATIVE EQUIPMENT

ALL THE FIRE HOSE REEL CABINETS  
AND TOOL STATIONS ARE  
DELIVERED IN A CARTON BOX

CABINETS WITH SPECIAL  
DIMENSIONS (CUSTOMIZED) ARE  
AVAILABLE UPON SPECIAL REQUEST

CODE 0132058

### MBK07 - TN - REEL - PGL

Fire Hose Reel Cabinet with **Transparent Plexiglass Window**.  
Electrostatic Coating RAL 3000 - UV - Protection.

DIMENSIONS (Height x Width x Depth): 700 x 630 x 180 mm

CODE 0132059

### MBK07 - TN - REEL - EXT

Fire Hose Reel Cabinet with separate Compartment for Fire  
Extinguisher up to 6kg (**Double compartment**).  
Electrostatic Coating RAL 3000 - UV - Protection  
**Silk Screening on Surface.**

DIMENSIONS (Height x Width x Depth): 1000 x 630 x 180mm



Packaging with carton box for safe transport!



# FIRE HOSE CABINETS

## FIRE TOOL STATIONS AND RELATIVE EQUIPMENT

### EMPTY FIRE HOSE CABINETS AND TOOLS STATIONS

ALL THE FIRE HOSE REEL CABINETS  
AND TOOL STATIONS ARE  
DELIVERED IN A CARTON BOX



CODE 0132057

**KX15 - TH02 - 09**

**Polyester Fire Hose Cabinet with Hook**

Suitable for Rough Weather Conditions and Corrosive Environment  
(f.e. near the sea).

**DIMENSIONS (Height x Width x Depth): 420 x 420 x 210 mm**



CODE 0132025

**KX15 - HOSEC - S2**

**Polyester Fire Hose Cabinet with Hook**

Suitable for Rough Weather Conditions and Corrosive  
Environment (f.e. near the sea).

**DIMENSIONS (Height x Width x Depth): 573 x 573 x 210 mm**

Packaging with Carton Box for Safe Transport!  
Usage Instructions at the Inner of the Door.



# FIRE HOSE CABINETS

## FIRE TOOL STATIONS AND RELATIVE EQUIPMENT

ALL THE FIRE HOSE REEL CABINETS  
AND TOOL STATIONS ARE  
DELIVERED IN A CARTON BOX

CODE 0132004

### MBK02 - PK45 - BL

Plastic (PVC) Fire Hose Cabinet with Transparent Safe Crashing Door Opening for Landing Valve, with Hose Protective Rack. AVAILABLE ALSO SPARE WINDOW FOR THIS CABINET.

DIMENSIONS (Height x Width x Depth): 520 x 450 x 195 mm

CERTIFIED ACCORDING TO EN671-2:2001 (UNI45)



CODE 0132005

### MBK02 - PK45 - RF

Plastic (PVC) Fire Hose Cabinet Opening for Landing Valve, with Hose Protective Rack.

DIMENSIONS (Height x Width x Depth): 520 x 450 x 195 mm

CERTIFIED ACCORDING TO EN671-2:2001 (UNI45)

## PLASTIC CABINET FOR FIRE HOSE

CODE 0132175

### MBK19-PLCABINET

Plastic Cabinet For Fire Hose And Branchpipe. Suitable For Marine Use (Products Not Included).

Outer Dimensions: 616 x 735 x 270

Inner Dimensions: 530 x 700 x 229

Weight: 7,0kg



Packaging with Carton Box for Safe Transport!



# FIRE HOSE CABINETS

## FIRE TOOL STATIONS AND RELATIVE EQUIPMENT

ALL THE FIRE HOSE REEL CABINETS  
AND TOOL STATIONS ARE  
DELIVERED IN A CARTON BOX



CODE 0131058



NEW

### MBK10 - FS - STATION SMALL

Fire Tool Station **With 4 Hooks** for tools.  
Electrostatic Coating RAL 3000.  
UV Protection.  
**With Silk screen**

DIMENSIONS (Height x Width x Depth): 500 x 470 x 180 mm



CODE 0131034

### MBK05 - FS - STATION

Fire Tool Station **with 4 Hooks** for tools.  
Electrostatic Coating RAL 3000.  
UV Protection.  
**With Silk Screen**

DIMENSIONS (Height x Width x Depth): 700 x 630 x 180 mm



CODE 0131028

### KX06 - 002W8 - 00A

Fire Tool Station, **double compartment**, suitable  
for big size tools and Escape Breathing Apparatus.  
Electrostatic Coating RAL 3000  
UV Protection.  
**With silk Screen**

DIMENSIONS (Height x Width x Depth): 700 x 630 x 180 mm

Packaging in Carton Box for Safe Transport!



# FIRE HOSE CABINETS

## FIRE TOOL STATIONS AND RELATIVE EQUIPMENT

ALL THE FIRE HOSE REEL CABINETS  
AND TOOL STATIONS ARE  
DELIVERED IN A CARTON BOX



CODE 0131055

**KX06 - 002W8 - 00B**

**Stainless Steel Fire Tool Station,  
Double Compartment,**  
Suitable for Big Size Tools and Escape  
Breathing Apparatus



# INOX

G L O S S Y 3 0 4



# INOX

Packaging in Carton Box for safe Transport!

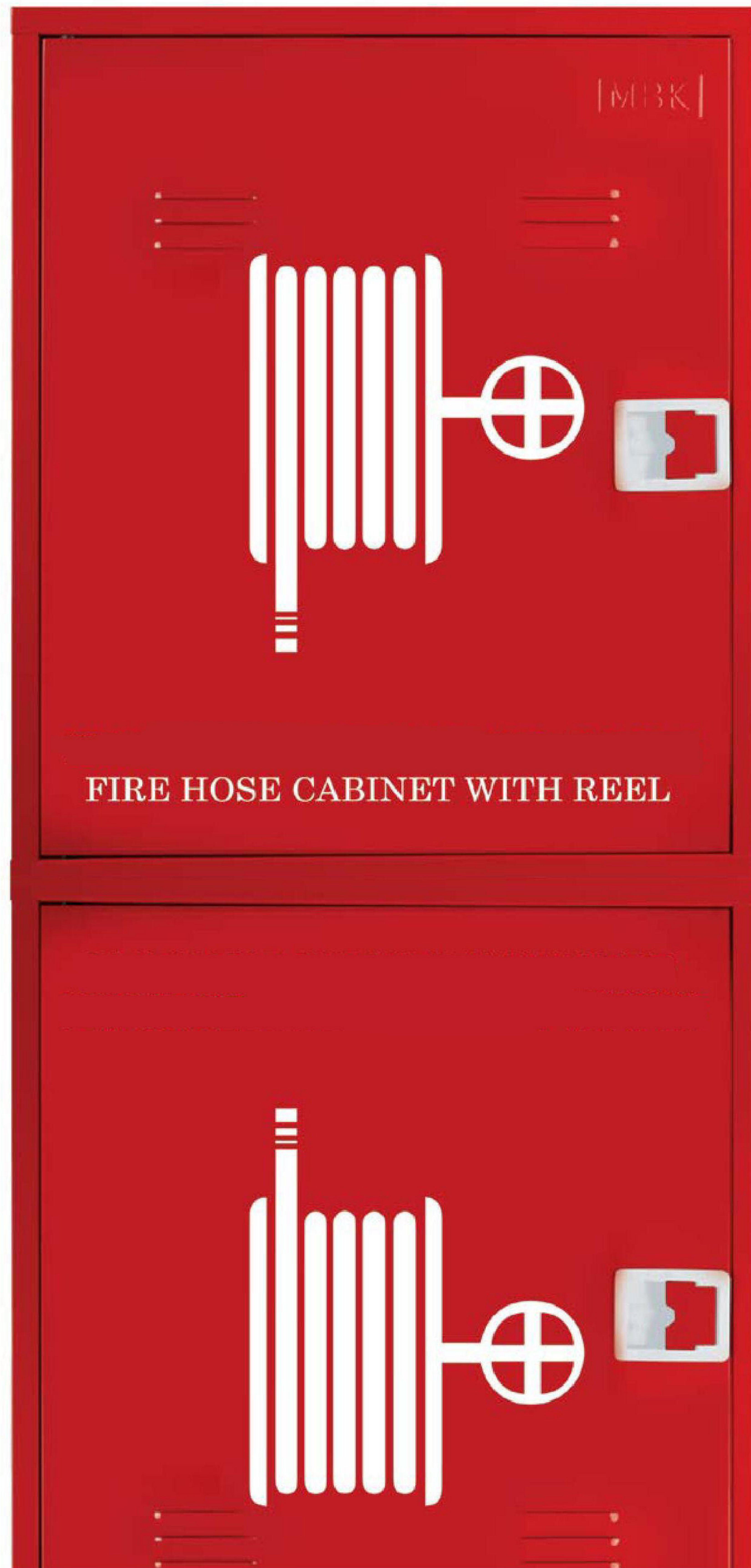


# FIRE HOSE CABINETS

## FIRE TOOL STATIONS AND RELATIVE EQUIPMENT

### COMPLETE FIRE HOSE CABINETS AND TOOLS STATIONS

**ALL THE FIRE HOSE REEL CABINETS  
AND TOOL STATIONS ARE  
DELIVERED IN A CARTON BOX**



**Complete Fire Hose Reel Cabinet (MBK05-FC-BIG),**  
with 1 3/4" 8 bar / 15 bar Fire Hose, **wire Bound**  
**with Stainless Steel Wire and Protective Sleeves.**  
Tail and Thread Storz Aluminum Couplings, Landing Valve  
and Adjustable Nozzle (KX07-060A-00).  
**With Silk Screen.**

**NOT ASSEMBLED**

> 1 3/4" 8 bar  
> 1 3/4" 15 bar **EN 14540**

**ASSEMBLED AND READY TO USE!**

> 1 3/4" 8 bar  
> 1 3/4" 15 bar **EN 14540**

**DIMENSIONS (Height x Width x Depth): 700 x 630 x 180 mm**

**Complete Fire Hose Reel Cabinet (MBK05-FC-BIG),**  
with 2" 8 bar / 15 bar Fire Hose, **Wire Bound**  
**with Stainless Steel Wire and Protective Sleeves**  
Tail and Thread Storz Aluminum Couplings, Landing Valve  
and Adjustable Nozzle (KX07-060A-00).  
**With Silk Screen.**

**NOT ASSEMBLED**

> 2" 8 bar  
> 2" 15 bar **EN 14540**

**ASSEMBLED AND READY TO USE!**

> 2" 8 bar  
> 2" 15 bar **EN 14540**

**DIMENSIONS (Height x Width x Depth): 700 x 630 x 180 mm**

Packed in Carton Box for Safe Transport! Instructions Label in the Door Interior.



# FIRE HOSE CABINETS

## FIRE TOOL STATIONS AND RELATIVE EQUIPMENT

**ALL THE FIRE HOSE REEL CABINETS  
AND TOOL STATIONS ARE  
DELIVERED IN A CARTON BOX**

**Complete** Fire Hose Cabinet **with Hook (MBK05-FC-SMALL)**, Red Water Hose ½" 20m, Plastic Adjustable Water Nozzle ½" (MBK07-UT-ADJ12), Tap Fitting **Coupling** and a Pair of Galvanized Clamps. NOT Assembled but ALL Components are Included.

Electrostatic Coating RAL 3000.

UV Protection.

**With Silk Screen**

**DIMENSIONS (Height x Width x Depth): 500 x 470 x 140 mm**

**Complete** Fire Hose Cabinet **with Hook (MBK11-H-SMALL)**, Red Water Hose ½" 20m, Plastic Adjustable Water Nozzle ½" (MBK07-UT-ADJ12), Tap fitting **Coupling** and a Pair of Galvanized Clamps.

Special Highly Resistant Coating

**With Silk Screen**

**DIMENSIONS (Height x Width x Depth): 500 x 470 x 140 mm**



Packed in Carton Box for Safe Transport! Instructions Label in the Door Interior.

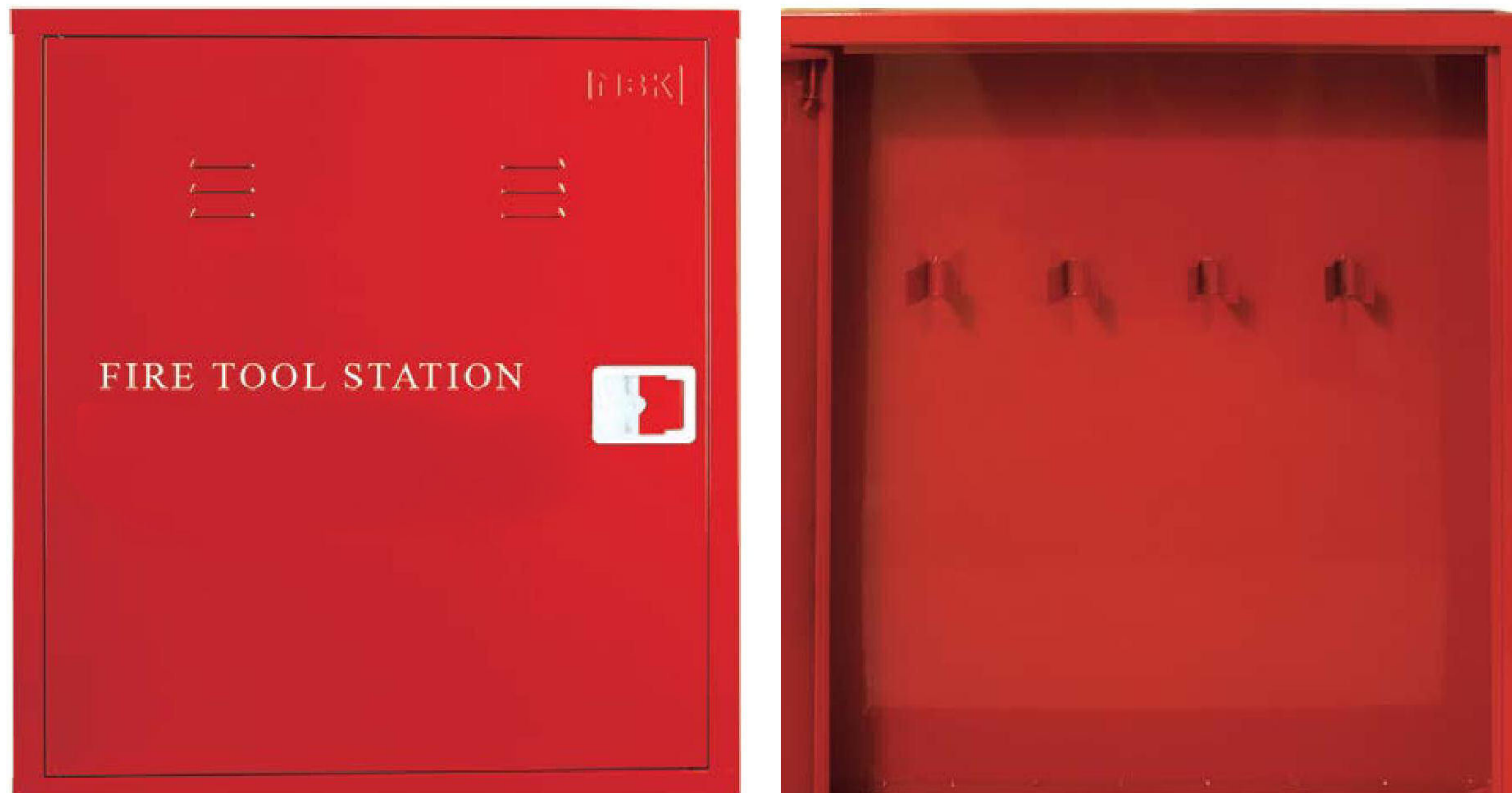


# FIRE HOSE CABINETS

## FIRE TOOL STATIONS AND RELATIVE EQUIPMENT

### COMPLETE TOOLS STATIONS

ALL THE FIRE HOSE REEL CABINETS  
AND TOOL STATIONS ARE  
DELIVERED IN A CARTON BOX



CODE 0131066

#### MBK05 - FS - STATION

Complete Fire Tool Station

Equipped With:

- 1 Piece Crowbar.
- 1 Piece Axe.
- 1 Piece Folded Spade.
- 1 Piece Mattock.
- 1 Piece Adze.
- 1 Piece Certified Fire Blanket 1,20 X 1,80.
- 2 Pieces Portable Flashlights (for places where Gaseous Fuel consumption takes place, the flashlights must be explosion-proof).
- 2 Pieces Helmet (CE-EN397)
- 2 Pieces Certified Individual Mask with Filter

Electrostatic Painting RAL 3000

UV - Protection

**With Silkscreen**

**(The Products Inside the Station Should be Ordered Separately).**

**DIMENSIONS (Height x Width x Depth): 700 x 630 x 180 mm**

Upon Request the Fire Tool Station Can Be Equipped With Rescue Breathing Apparatus for 2 Users (MBK10-BA600)



CODE 0131084

#### MBK19 - FS - STATION - BIG

Complete Fire Tool Station with a Place for  
Rescue Breathing Apparatus for 2 Users (MBK10-BA600)

Equipped With:

- 1 Piece Crowbar.
- 1 Piece Axe.
- 1 Piece Folded Spade.
- 1 Piece Mattock.
- 1 Piece Adze.
- 1 Piece Certified Fire Blanket 1,20 X 1,80.
- 2 Pieces Portable Flashlights (for places where Gaseous Fuel consumption takes place, the flashlights must be explosion-proof).
- 2 Pieces Helmet (CE-EN397)
- 2 Pieces Certified Individual Masks with Filter

Electrostatic Coating RAL 3000

UV - Protection

**With Silkscreen**

**(The Products Inside the Station Should be Ordered Separately).**

**DIMENSIONS (Height x Width x Depth): 800 x 700 x 350 mm**



Packed in Carton Box for Safe Transport!



# FIRE HOSE CABINETS

## FIRE TOOL STATIONS AND RELATIVE EQUIPMENT

### COMPLETE TOOLS STATIONS

ALL THE FIRE HOSE REEL CABINETS  
AND TOOL STATIONS ARE  
DELIVERED IN A CARTON BOX



#### KX06 - 002W8 - 00A

##### Complete Fire Tool Station with Shelves

Equipped With:

- 1 Piece Crowbar.
- 1 Piece Axe.
- 1 Piece Folded Spade.
- 1 Piece Mattock.
- 1 Piece Adze.
- 1 Piece Certified Fire Blanket 1,20 X 1,80.
- 2 Pieces Portable Flashlights (for places where Gaseous Fuel Consumption Takes Place, the Flashlights Must be explosion-proof).
- 2 Pieces helmets (CE-EN397)
- 2 Pieces Certified Individual Mask with Filter

Electrostatic Painting RAL 3000

UV - Protection

**With Silkscreen**

**(The Products Inside the Station Should be Ordered Separately).**

**DIMENSIONS (Height x Width x Depth): 700 x 630 x 180 mm**

**Upon Request the Fire Tool Station Can Be Equipped With Rescue Breathing Apparatus for 2 Users (MBK10-BA600)**



Packed in Carton Box for Safe Transport!



# FIRE HOSE CABINETS

## FIRE TOOL STATIONS AND RELATIVE EQUIPMENT

**COMPLETE FIRE CABINETS CERTIFIED  
ACCORDING EN671-2 (WITHOUT REEL)**

**ALL THE FIRE HOSE REEL CABINETS  
AND TOOL STATIONS ARE  
DELIVERED IN A CARTON BOX**

**EN671-2**



CODE 0132113

**MBK15 - BCWR - 134**

**Complete Fire Cabinet Certified according EN671-2.**  
Includes **Certified** Fire Hose 1<sup>3</sup>/<sub>4</sub>" (20m), **Certified Brass**  
Angle Valve and **certified** 3 position Branchpipe.  
Special Resistance Painting for protection from Weather  
Conditions.  
**with Silk Screen.**

**DIMENSIONS (Height x Width x Depth): 550x390x180mm**

**CE 305/2011/EU (CPR)**

CODE 0132114

**MBK15 - BCWR - 2**

**Complete Fire Cabinet Certified according EN671-2.**  
Includes **Certified** Fire Hose 2" (20m), **Certified Brass**  
Angle Valve and **Certified** 3 Position Branchpipe.  
Special Resistance Painting for Protection from Weather  
Conditions.  
**with silk screen**

**DIMENSIONS (Height x Width x Depth): 550x390x180mm**

**CE 305/2011/EU (CPR)**

**Packed in Carton Box for Safe Transport!**



# FIRE HOSE CABINETS

## FIRE TOOL STATIONS AND RELATIVE EQUIPMENT

**COMPLETE FIRE CABINETS CERTIFIED ACCORDING EN671-2**  
(WITH REEL)

**ALL THE FIRE HOSE REEL CABINETS  
AND TOOL STATIONS ARE  
DELIVERED IN A CARTON BOX**

**EN671-2**

CODE 0132115

### **MBK15 - BCR - 134**

**Complete Fire Cabinet Certified According EN671-2.**  
Includes Certified Fire Hose 1 $\frac{3}{4}$ " (20m), **Certified Brass Angle Valve and Certified 3 Position Branchpipe.**  
Special Resistance Painting for Protection from Weather Conditions.  
**with Silk Screen.**

**DIMENSIONS (Height x Width x Depth):650x650x180mm**

**CE 305/2011/EU (CPR)**

CODE 0132116

### **MBK15 - BCR - 2**

**Complete Fire Cabinet Certified according EN671-2.**  
Includes Certified Fire Hose 2" (20m), **Certified Brass Angle Valve and Certified 3 Position Branchpipe.**  
Special Resistance Painting for Protection from Weather Conditions.  
**with Silk Screen.**

**DIMENSIONS (Height x Width x Depth): 650x650x180mm**

**CE 305/2011/EU (CPR)**



Packed in Carton Box for Safe Transport!



# FIRE HOSE CABINETS

## FIRE TOOL STATIONS AND RELATIVE EQUIPMENT

ALL THE FIRE HOSE REEL CABINETS  
AND TOOL STATIONS ARE  
DELIVERED IN A CARTON BOX

EN671-1



CODE 0132075

**MBK10 - SJC - 02C**

**Complete** Fire Hose Cabinet - Assembled with Hose  $\frac{3}{4}$ " (30m) and Nozzle.  
**With Silk Screen.**

**CERTIFIED ACCORDING EN671 from LPCB**

**DIMENSIONS (Height x Width x Depth): 760 x 760 x 240 mm**



CODE 0132080

**MBK10 - SJC - 02D**

**Complete** Fire Hose Cabinet - Assembled with Hose 1" (30m) and Nozzle.  
**With Silk Screen.**

**CERTIFIED ACCORDING EN671 from LPCB**

**DIMENSIONS (Height x Width x Depth): 840 x 840 x 300 mm**

Packed in Carton Box for Safe Transport!



# FIRE HOSE CABINETS

## FIRE TOOL STATIONS AND RELATIVE EQUIPMENT

ALL THE FIRE HOSE REEL CABINETS  
AND TOOL STATIONS ARE  
DELIVERED IN A CARTON BOX

EN671-1

CODE 0132076

**MBK10 - SJC - 09A**

Double Compartment Fire Hose Cabinet - **Complete**  
with Hose  $\frac{3}{4}$ " (30m) and Nozzle.  
**With Silk Screen.**

**CERTIFIED ACCORDING EN671 from LPCB**

**DIMENSIONS (Height x Width x Depth): 1400 x 700 x 300 mm**

CODE 0132081

**MBK10 - SJC - 09B**

Double Compartment Fire Hose Cabinet - **Complete** with  
Hose 1" (30m) and Nozzle.  
**With Silk Screen.**

**CERTIFIED ACCORDING EN671 from LPCB**

**DIMENSIONS (Height x Width x Depth): 1500 x 780 x 250 mm**

UPPON REQUEST, CE/EN CERTIFIED FIRE  
HOSE CABINETS ARE AVAILABLE IN BELOW  
DIMENSIONS:



Packed in Carton Box for Safe Transport!



# FIRE HOSE CABINETS

FIRE TOOL STATIONS AND RELATIVE EQUIPMENT

## FOAM FIRE CABINET - SPARTAN FOAM FIGHTER

ALL THE FIRE HOSE REEL CABINETS  
AND TOOL STATIONS ARE  
DELIVERED IN A CARTON BOX

Upon Request, the Cabinet can be Available with Different  
Type of Foam Additive and Size of Fire Hose!



CODE 0132110

**MBK15 - CABFOAM - SPARTAN**

Spartan Foam Fighter

DIMENSIONS (Height x Width x Depth): 1120 x 700 x 300 mm



Environmental Friendly Choice!

# Spartan

# f o a m

# F I G H T E R



# FIRE HOSE CABINETS

## FIRE TOOL STATIONS AND RELATIVE EQUIPMENT

### FOAM FIRE CABINET - SPARTAN FOAM FIGHTER

ALL THE FIRE HOSE REEL CABINETS  
AND TOOL STATIONS ARE  
DELIVERED IN A CARTON BOX

Upon Request, the Cabinet can be Available with  
Different Type of Foam Additive and Size of Fire Hose!



#### SPECIFICATIONS & CONTENTS

- Construction Material: Galvanized Steel 1.2mm Electrostatic Paint RAL3000
- Hose Reel with Arm Bracket
- Stainless Steel Pipe 2" for Water Supply
- Brass Angle Valve 2"
- Foam Mixer with Flow rate 400lt / min with Aluminium Storz Couplings 2"
- Foam Suction Hose with Filter made of a Rigid Material.
- Foam Nozzle 2" with Aluminium Storz Couplings 2".
- High Quality Hose 2", 30m, WP: 8Bar Bounded with Aluminium Storz Couplings 2"
- Two Foam Canisters **25lt** (Foam not included)
- **With Silk Screening in Cabinet Door**

High Rates on A and B Class Fires

Ergonomic Design For Easy Use By Single Operator.

Highly Effective Product For Gas Stations, Petrochemical Factories, Industrial Facilities, Warehouses And Generally For All Areas That Protection Is Required Due To Fire Classes A And B. The Top of The Cabinet Is Designed With A Slope For Mounting On Outdoors Applications

Usage of Foam Additive.

Environmental Friendly Choice!



Packed in Carton Box for Safe Transport!



# FIRE HOSE CABINETS

## FIRE TOOL STATIONS AND RELATIVE EQUIPMENT

ALL THE FIRE HOSE REEL CABINETS  
AND TOOL STATIONS ARE  
DELIVERED IN A CARTON BOX

Cabinet Code	Cabinet Type	Dimensions	Material	Colour	Door Type Lock Type/Position	Hinges	Hose Reel	Hose Hook	Tool Hook	Compartments
<a href="#">MBK05-FC-BIG</a>	Wall Mounted Hose Cabinet	700x630x180mm	Mild Steel	Electr. Paint RAL3000 UV Protection	Plastic/Right	Hidden	YES-Manual	NO	NO	OXI
<a href="#">KX06-002W4-00C</a>	Wall Mounted Hose Cabinet	700x630x180mm	Galv. Steel	Electr. Paint RAL3000 UV Protection	Plastic/Right	Hidden	YES-Manual	NO	NO	OXI
<a href="#">MBK07-TN-REEL-PGL</a>	Wall Mounted Hose Cabinet	700x630x180mm	Metallic Mild Steel with Plexiglas	Electr. Paint RAL3000 UV Protection	Plastic/Right	Hidden	YES-Manual	NO	NO	OXI
<a href="#">MBK07-TN-REEL-EXT</a>	Wall Mounted Hose Cabinet	1000x630x180mm	Mild Steel	Electr. Paint RAL3000 UV Protection	Plastic/Left	Hidden	YES-Manual	NO	NO	1 for f/e
<a href="#">KX06-002W6-00B</a>	Wall Mounted Hose Cabinet	700x630x180mm	S.S. 316	Glossy	S.S./Right	Hidden	YES-Manual	NO	NO	NO
<a href="#">KX06-002W6-00</a>	Wall Mounted Hose Cabinet	700x630x180mm	S.S. 304	Glossy	S.S./Right	Hidden	YES-Manual	NO	NO	NO
<a href="#">MBK05-FC-SMALL</a>	Wall Mounted Hose Cabinet	500x470x140mm	Mild Steel	Electr. Paint RAL3000 UV Protection	Plastic/Right	Hidden	NO	YES	NO	NO
<a href="#">MBK11-H-SMALL</a>	Wall Mounted Hose Cabinet	500x470x140mm	Mild Steel	Special Electr. Paint RAL3000 UV Protection	Plastic/Right	Hidden	NO	YES	NO	NO
<a href="#">MBK10-SLOPE</a>	Wall Mounted Hose Cabinet	500x470x140mm	Galv. Steel	Special Electr. Paint RAL3000 UV Protection	Plastic/Left	Hidden	NO	YES	NO	NO
<a href="#">KX06-002W2-00A</a>	Wall Mounted Hose Cabinet	500x470x140mm	S.S. 316	Glossy	S.S./Right	Hidden	NO	YES	NO	NO
<a href="#">KX06-002W2-00</a>	Wall Mounted Hose Cabinet	500x470x140mm	S.S. 304	Glossy	S.S./Right	Hidden	NO	YES	NO	NO
<a href="#">MBK19-SSCABINET-40X40</a>	Wall Mounted Hose Cabinet	400x400x140mm	S.S. 304	Glossy	S.S./Right	Hidden	NO	YES	NO	NO







# FIRE HOSE CABINETS

## FIRE TOOL STATIONS AND RELATIVE EQUIPMENT

ALL THE FIRE HOSE REEL CABINETS  
AND TOOL STATIONS ARE  
DELIVERED IN A CARTON BOX

Cabinet Code	Dimensions	Material	Colour	Door Type Lock Type/Position	Hinges	Hose Reel	Hose Hook	Tool Hook	Compartments	
KX15-TH02-09	Wall Mounted Hose Cabinet	420x420x210mm	Polyester	RAL3000	Metallic/Right	Shown	NO	YES	NO	NO
KX15-HOSEC-S2	Wall Mounted Hose Cabinet	573x573x210mm	Polyester	RAL3000	Metallic/Right	Shown	NO	YES	NO	NO
MBK02-PK45-BL	Wall Mounted Hose Cabinet	540x450x195mm	PVC	RAL3000	Plastic/Left	Hidden	NO	NO	NO	NO
MBK02-PK45-RF	Wall Mounted Hose Cabinet	520x450x195mm	PVC	AL3000	Plastic/Left	Hidden	NO	NO	NO	NO
MBK05-FS-STATION	Wall Mounted Hose Cabinet	700x630x180mm	Mild Steel	Electr. Paint RAL3000 UV Protection	Plastic/Right	Hidden	NO	NO	NAI 4pcs	NO
KX06-002W8-00A	Wall Mounted Hose Cabinet	700x630x180mm	Mild Steel	Electr. Paint RAL3000 UV Protection	Plastic/Right	Hidden	NO	NO	NO	3 for Tools 1 for Br. Apparatus
KX06-002W8-00B	Wall Mounted Hose Cabinet	700x630x180mm	S.S. 304	Mirror (Glossy) Finish	S.S./Right	Hidden	NO	NO	NO	3 for Tools 1 for Br. Apparatus
MBK10-SJC-02C	Wall Mounted Hose Cabinet	760x760x240mm	Mild Steel	Electr. Paint RAL3000 UV Protection	Plastic/Left	Shown	YES - MBK10-SJR-06A 3/4" (30m)	NO	NO	NO
MBK10-SJC-02D	Wall Mounted Hose Cabinet	840x840x300mm	Mild Steel	Electr. Paint RAL3000 UV Protection	Plastic/Left	Shown	YES - MBK10-SJR-06B 1" (30m)	NO	NO	NO
MBK10-SJC-09A	Wall Mounted Hose Cabinet	700x1400x300mm	Mild Steel	Electr. Paint RAL3000 UV Protection	S.S./Left	Shown	YES - MBK10-SJR-06A 3/4" (30m)	NO	NO	1 for Hose Reel 1 for 2 Extinguishers
MBK10-SJC-09B	Wall Mounted Hose Cabinet	780x1500x250mm	Mild Steel	Electr. Paint RAL3000 UV Protection	S.S./Left	Shown	YES - MBK10-SJR-06B 1" (30m)	NO	NO	1 for Hose Reel 1 for 2 Extinguishers
MB15-BCWR-134	Wall Mounted Hose Cabinet	550x390x180mm	Mild Steel	RAL 3000 UV PROTECTION	Metallic/Left	Hidden	NO	plastic tray	NO	NO
MB15-BCRWR-2	Wall Mounted Hose Cabinet	550x390x180mm	Mild Steel	EPOXY PAINT RAL 3000 UV PROTECTION	Metallic/Left	Hidden	NO	plastic tray	NO	NO
MBK15-BCR-134	Wall Mounted Hose Cabinet	650x650x180mm	Mild Steel	RAL3000 UV - Protection	Metallic/Left	Shown	YES - Manual	NO	NO	NO
MBK15-BCR-2	Wall Mounted Hose Cabinet	650x650x180mm	Mild Steel	RAL 3000 UV PROTECTION	Metallic/Right	Shown	YES - Manual	NO	NO	NO



## HOSE REELS

CODE 0139027

### MBK12 - REEL - CO2

Wall mounted CO<sub>2</sub> Reel with EPDM Hose with Flow Switch, **20m**. Suitable for Connection with Cylinders of fire Suppression Systems.



## FIRE HOSE CABINETS

### FIRE TOOL STATIONS AND RELATIVE EQUIPMENT

CODE 0139004

### MBK13 - TROLLEY - REEL

Trolley Reel for fire Hoses of all Kinds and all Diameters. Easy and Quick Transportation.



CODE 0139007

### MBK06 - TD - REEL

**MANUAL** Hose Reel for Layflat Hoses.



# FIRE HOSE CABINETS

## FIRE TOOL STATIONS AND RELATIVE EQUIPMENT

### TROLLEY WATER HOSE REEL

Trolley Water Hose Reel Is A Ergonomically Designed Product, Easy To Move And Function From One Operator (Without Requiring The Presence Of The Second Person).

Can Be Used In Fire Fighting, Cleaning Public Spaces Or In Industrial Installations. The Reel Is Made Of 1mm Thickness Steel (Ral3002).

The Rubber Wheels Are Heavy Duty For Use On Rough Surfaces. The Water Supply Is Placed At The Center Of Spinning Wheel.

The Reel Consists Of A Torsion Beam Water Hose Of Pvc Of  $\frac{3}{4}$ " Or 1" Dimension And Total Length **60m**.



CODE 0139039



NEW

MBK14-TROLLEY-AREEL-1 > 1"



CODE 0139044



NEW

MBK14-TROLLEY-AREEL-3/4 > 3/4"





# FIRE HOSE CABINETS

## FIRE TOOL STATIONS AND RELATIVE EQUIPMENT



CODE 0139032

**MBK14 - SJR - 01A** > 1"

Wall Mounted **MANUAL** Swinging Hose Reel with Fire Hose 1", 30m. Ready to Use. Nozzle.  
Minimum Cabinet Size (WxHxD): 915x775x310mm  
**CERTIFIED ACCORDING to CPR (CE) 305/2011/EU & EN671-1:2012**



CODE 0139011

**MBK10 - SJR - 01B** > 1,3"

Wall Mounted **MANUAL** Swinging Hose Reel with Fire Hose 1,3", 30m. Ready to Use. Nozzle.  
Minimum Cabinet Size (WxHxD): 915x775x450mm  
**CERTIFIED ACCORDING to CPR (CE) 305/2011/EU & EN671-1:2012**



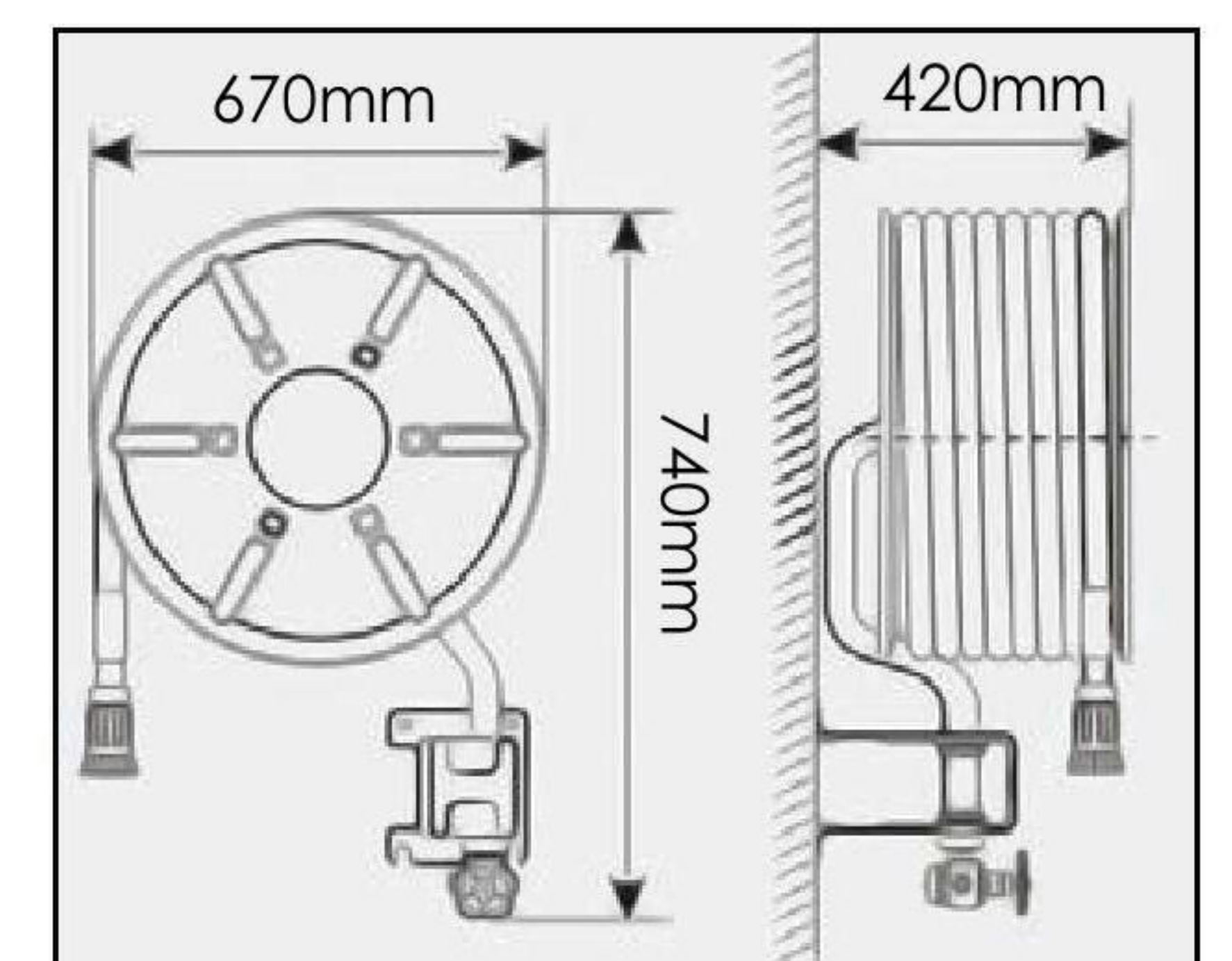
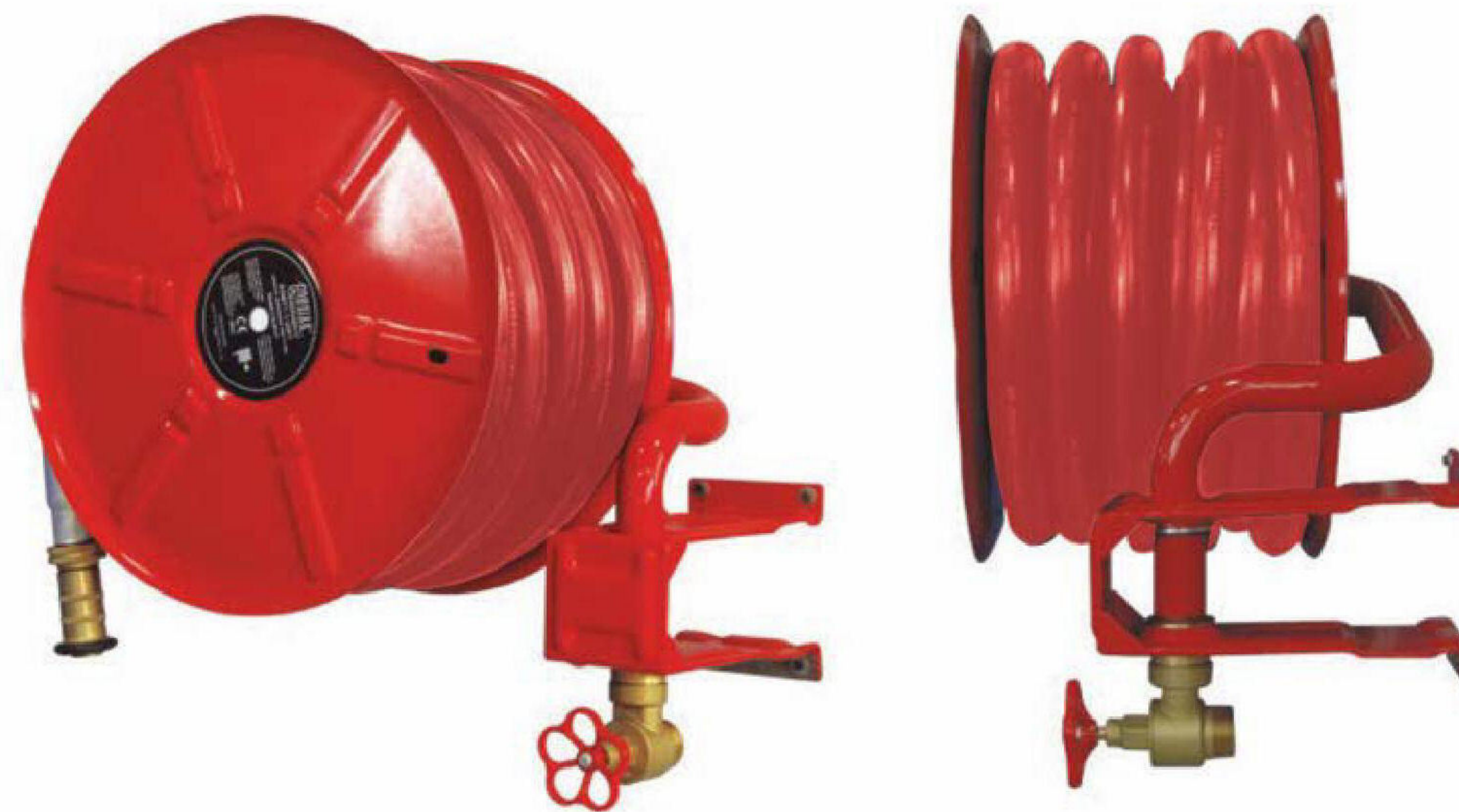
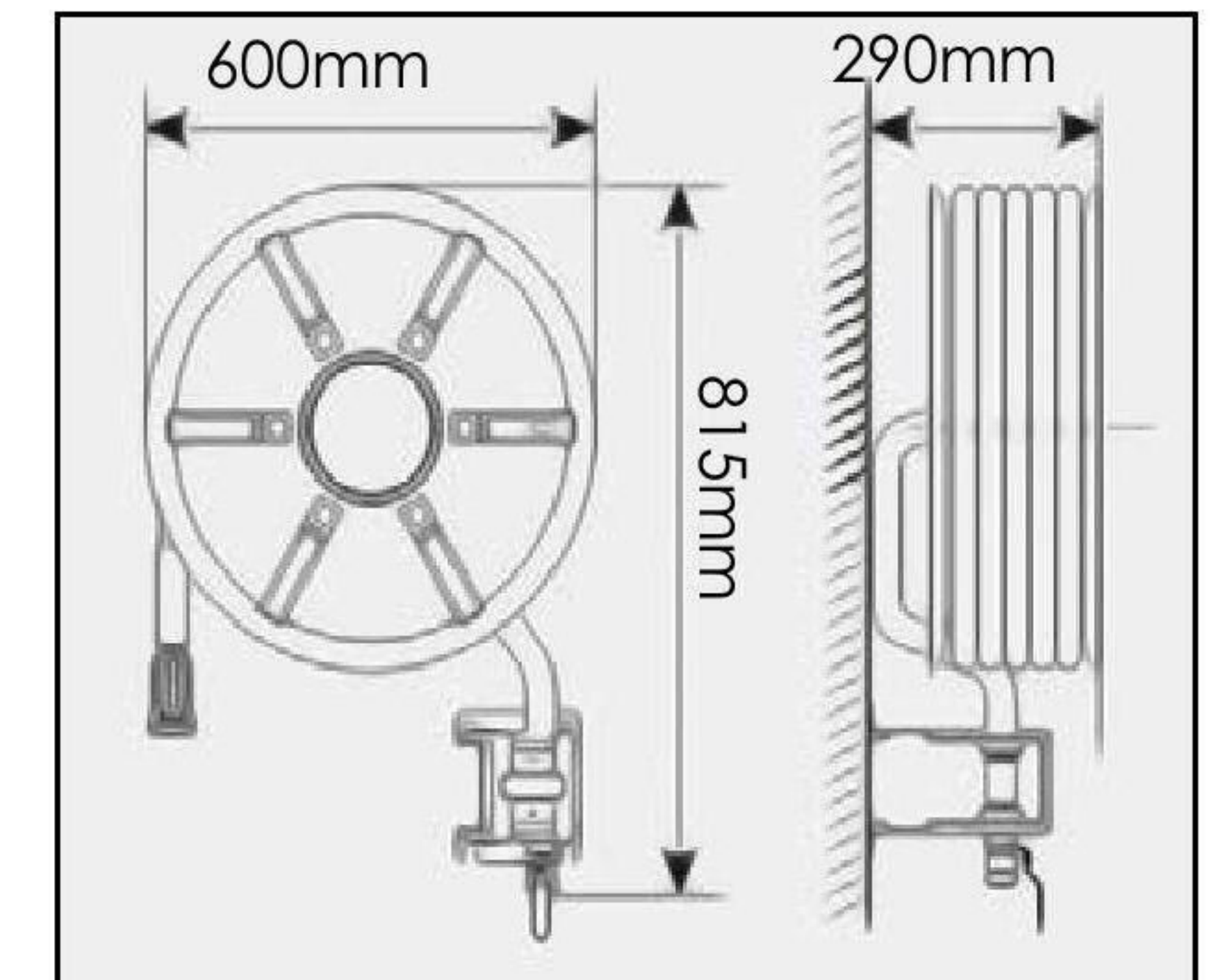
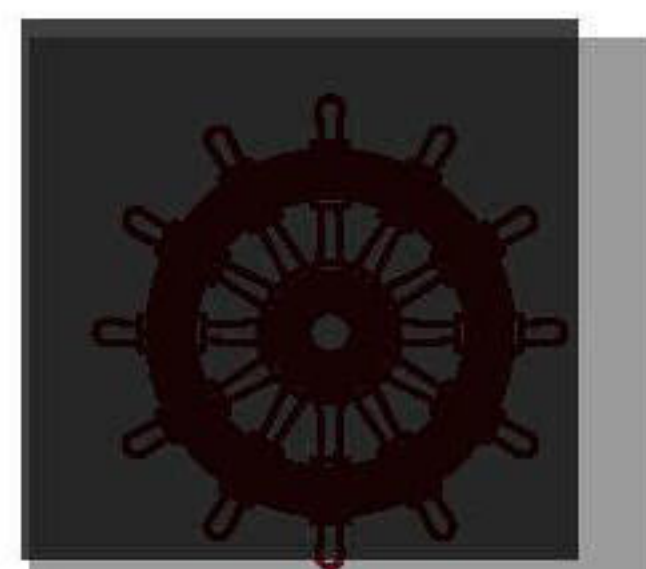
CODE 0139118

**MBK18 - SJR - 01B - MED** > 1,3"



NEW

Wall Mounted **MANUAL** swinging Hose Reel with Fire Hose 1,3", 30m. Ready to use. Nozzle.  
Minimum Cabinet Size (WxHxD): 915x775x450mm  
**CERTIFIED ACCORDING to CPR (CE) 305/2011/EU & EN671-1:2012**





# FIRE HOSE CABINETS

## FIRE TOOL STATIONS AND RELATIVE EQUIPMENT

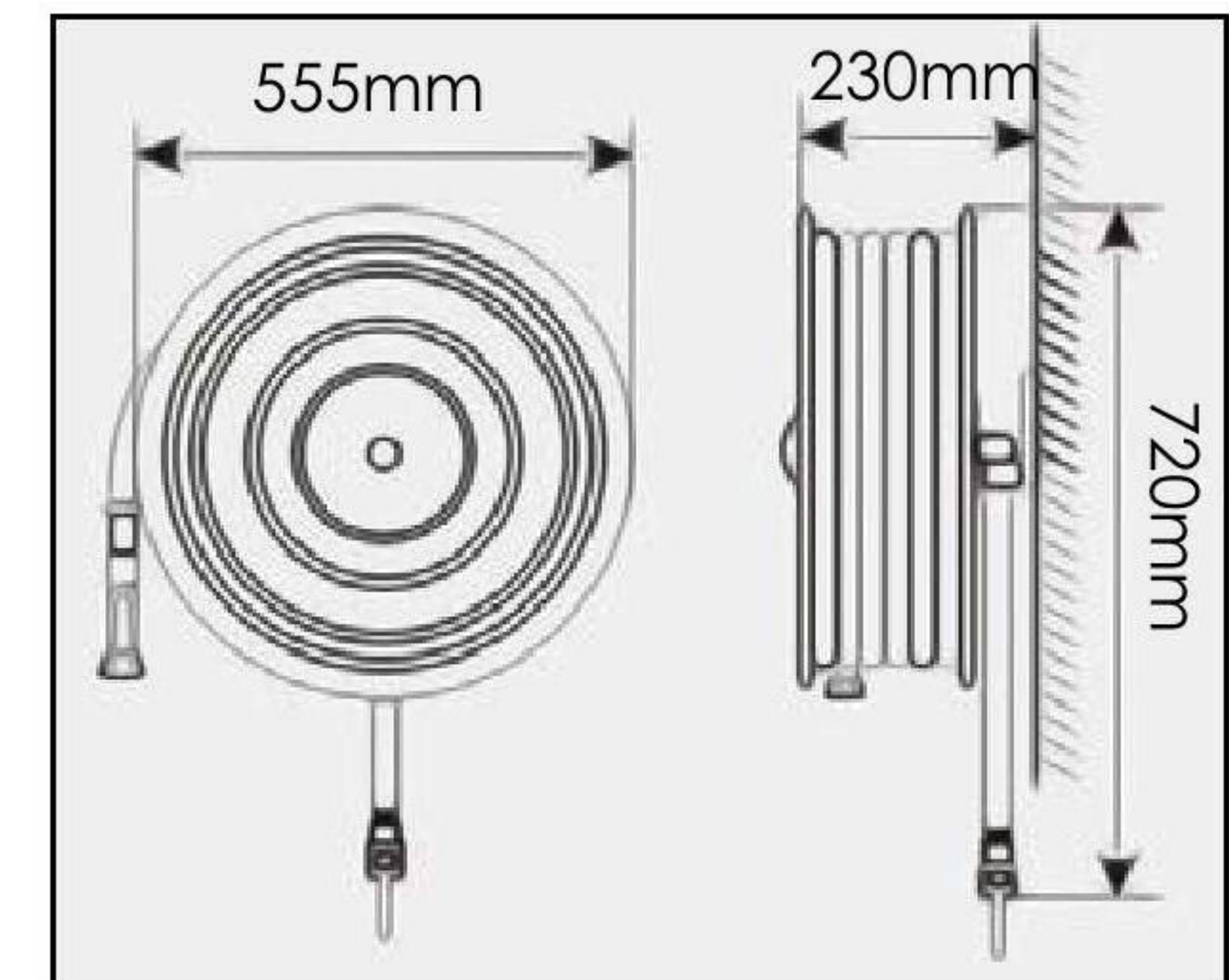
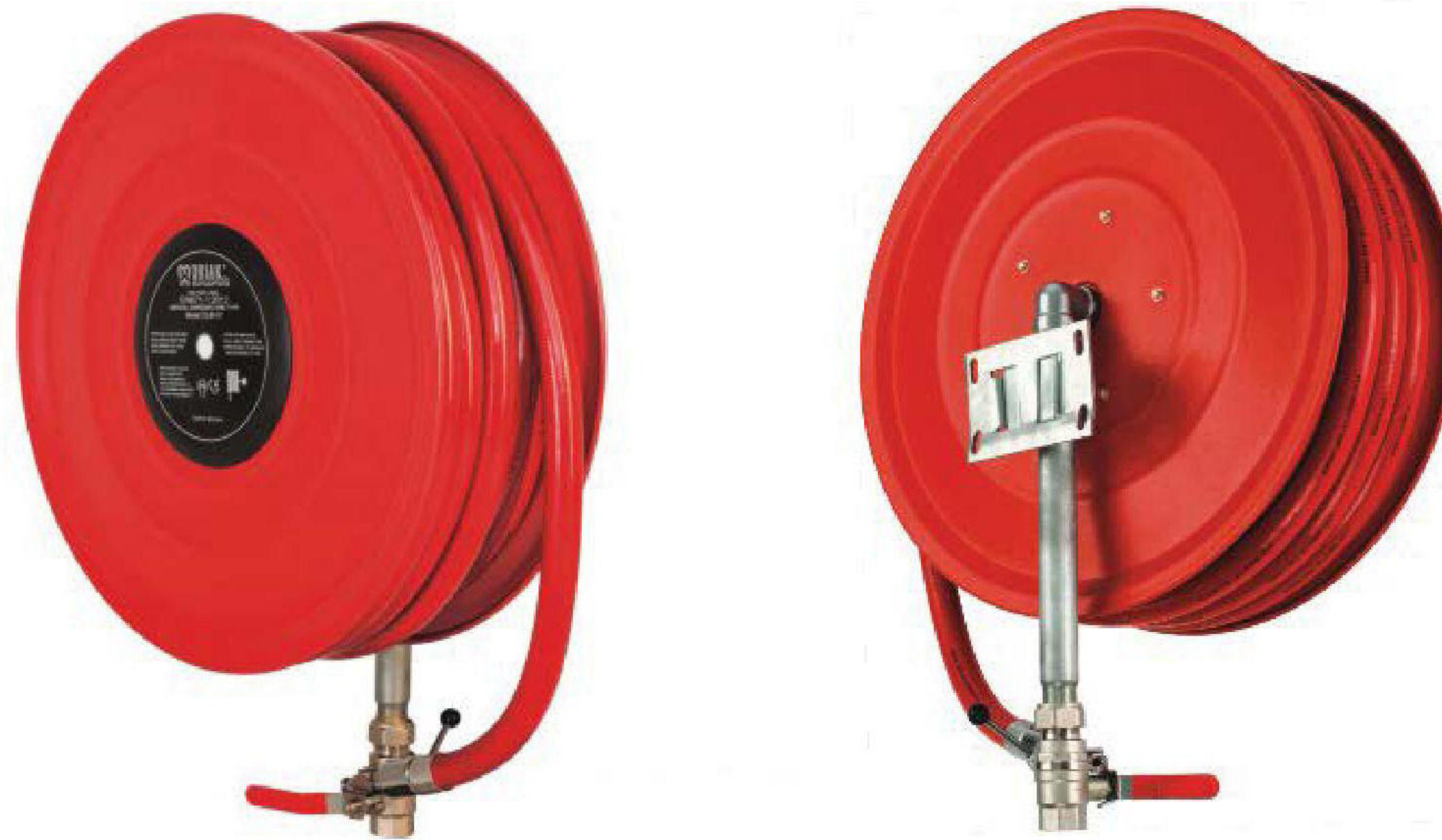


CODE 0139012

**MBK10 - SJR - 02A** > 3/4"

Wall Mounted **MANUAL** (Not Swinging) **Hose Reel with gauge** and Fire Hose 3/4", 30m. Ready to Use. Nozzle. Minimum Cabinet Size (WxHxD): 650x750x240mm

**CERTIFIED ACCORDING to CPR (CE) 305/2011/EU & EN671-1:2012**



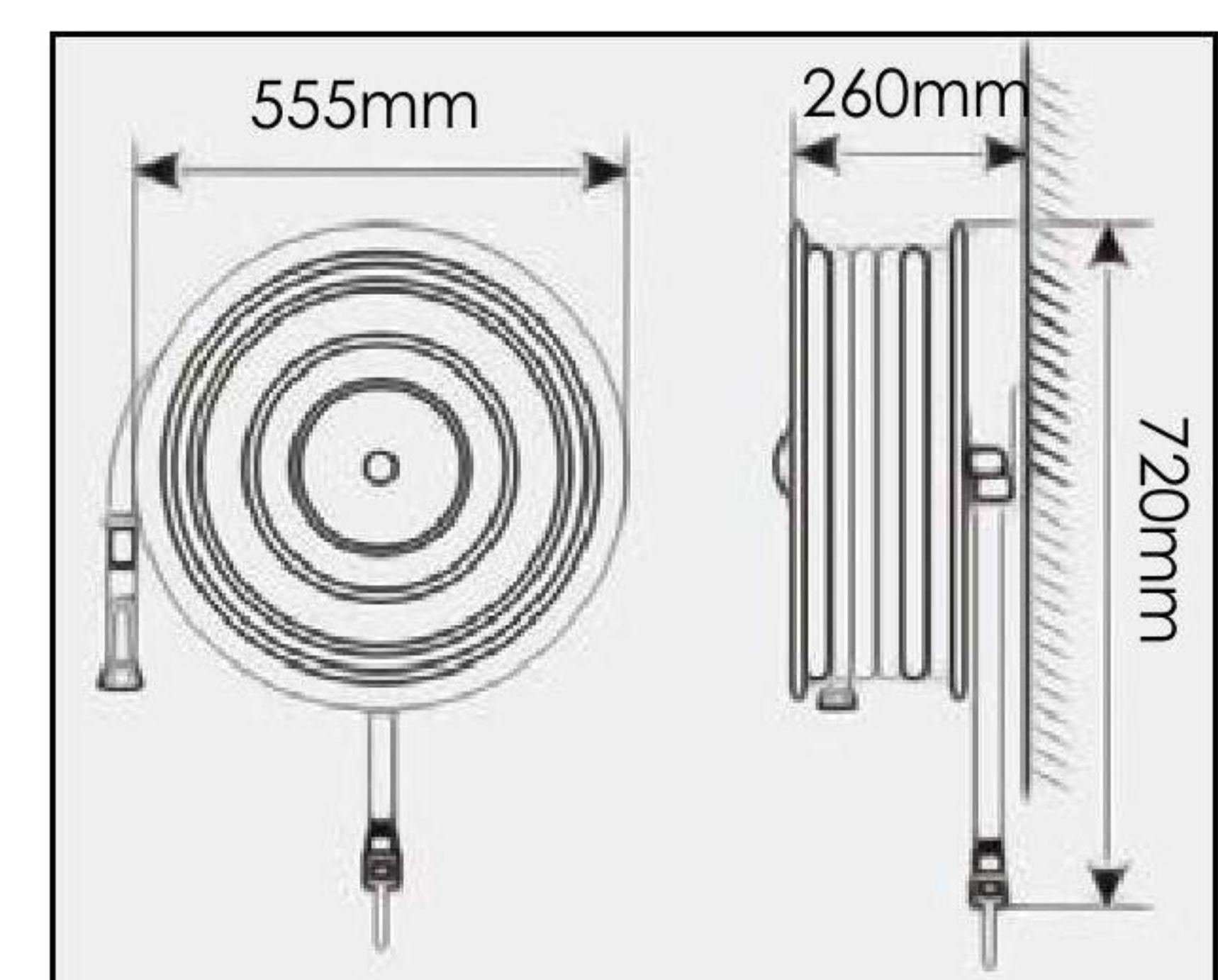
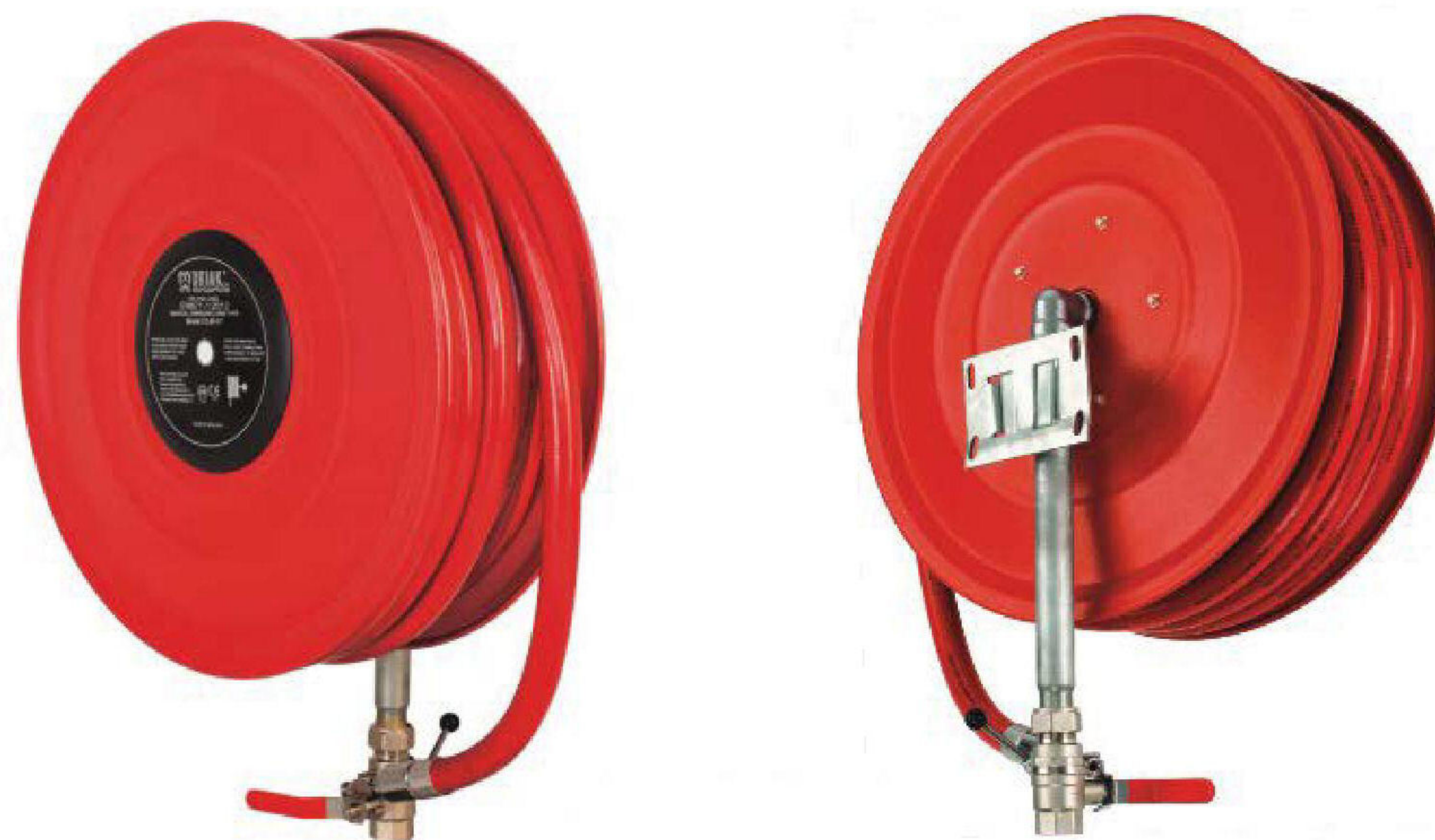
CODE 0139017

**MBK10 - SJR - 02B** > 1"

Wall Mounted **MANUAL** (Not Swinging) **Hose Reel with gauge** and Fire Hose 1", 30m. Ready to Use. Nozzle.

Minimum Cabinet Size (WxHxD): 650x750x280mm

**CERTIFIED ACCORDING to CPR (CE) 305/2011/EU & EN671-1:2012**





# FIRE HOSE CABINETS

## FIRE TOOL STATIONS AND RELATIVE EQUIPMENT

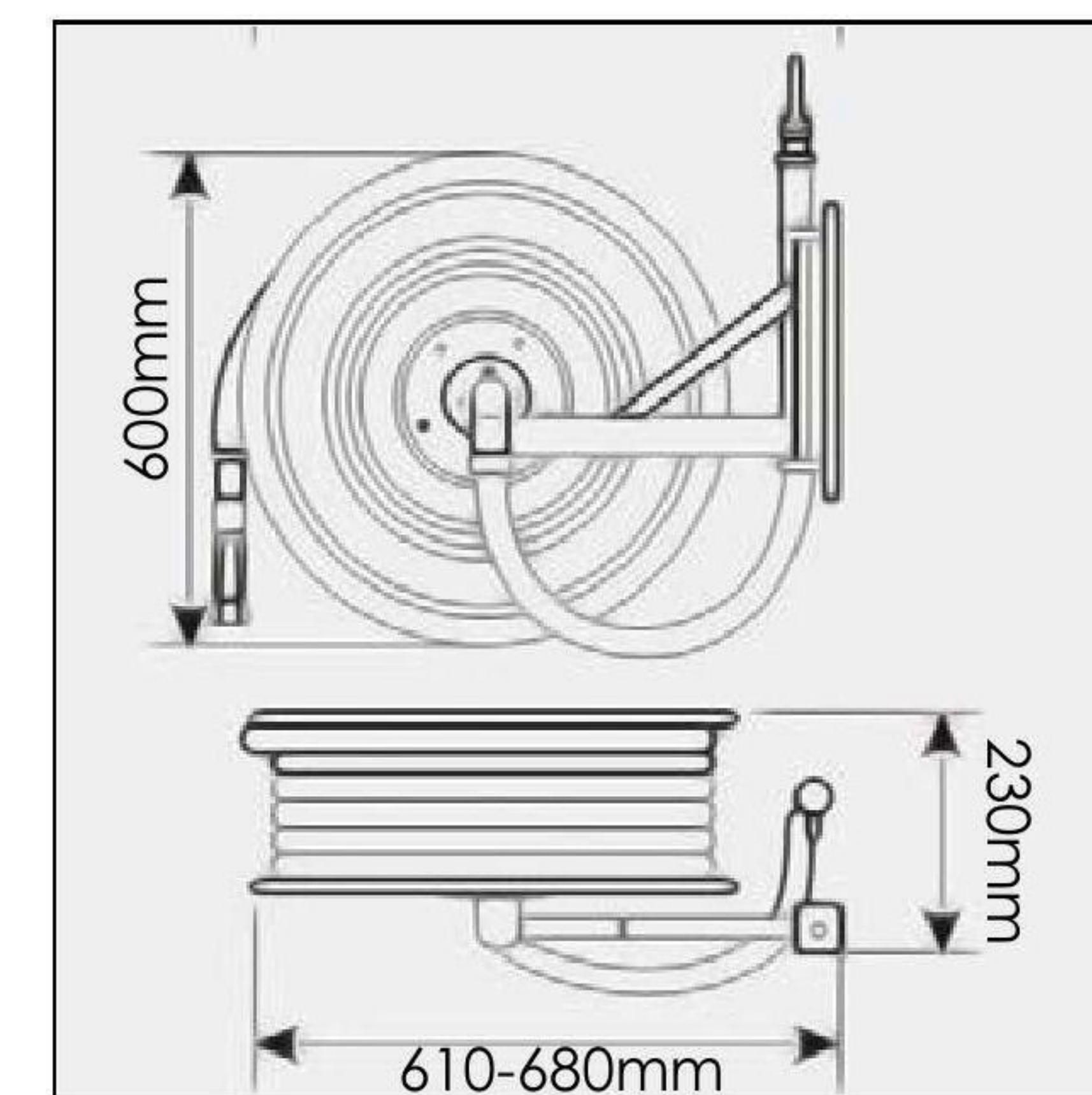


CODE 0139019

**MBK10 - SJR - 06B** > 1"

Wall Mounted **AUTOMATIC** Swinging Hose Reel with Gauge and Fire Hose 1" 30m. Ready to Use. Nozzle.

Minimum Cabinet Size (WxHxD): 700x700x260mm  
**CERTIFIED ACCORDING to CPR (CE) 305/2011/EU & EN671-1:2012**



CODE 0133044

**MBK15 - REEL - COVER** > 3/4"  
> 1"

**NYLON PROTECTIVE HOSE REEL COVER**  
 for Use on Wall Mounted Hose Reels.



# FIRE HOSE CABINETS

## FIRE TOOL STATIONS AND RELATIVE EQUIPMENT

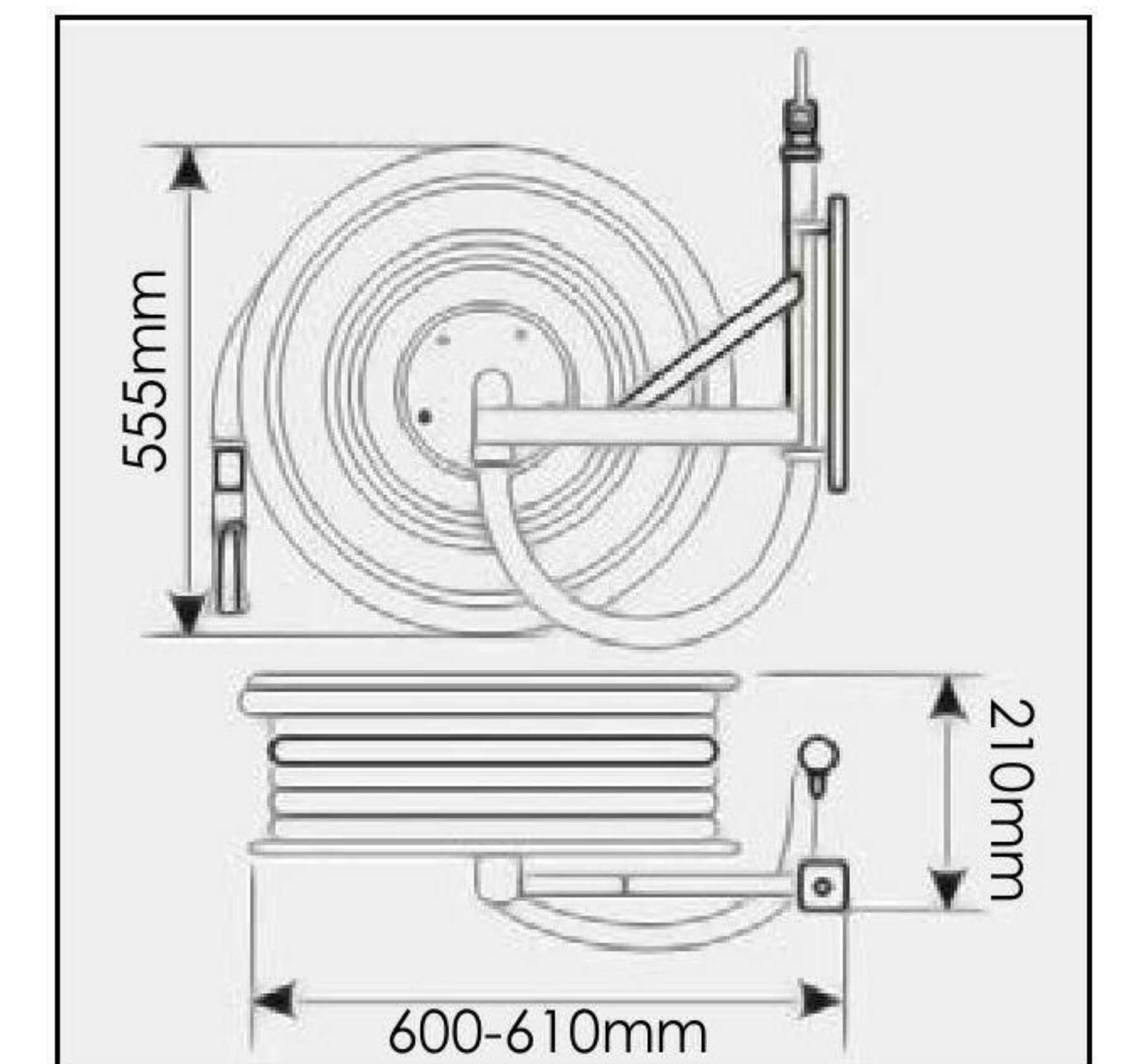
EN671-1

CODE 0139029

**MBK14 - SJR - 08A** 3/4"

Wall Mounted **MANUAL** Swinging Hose Reel with Fire Hose 3/4", 30m. Ready to Use. Nozzle.

Minimum Cabinet Size (WxHxD): 700x700x230mm  
**CERTIFIED ACCORDING to CPR (CE) 305/2011/EU & EN671-1:2012**



EN671-1

CODE 0139120

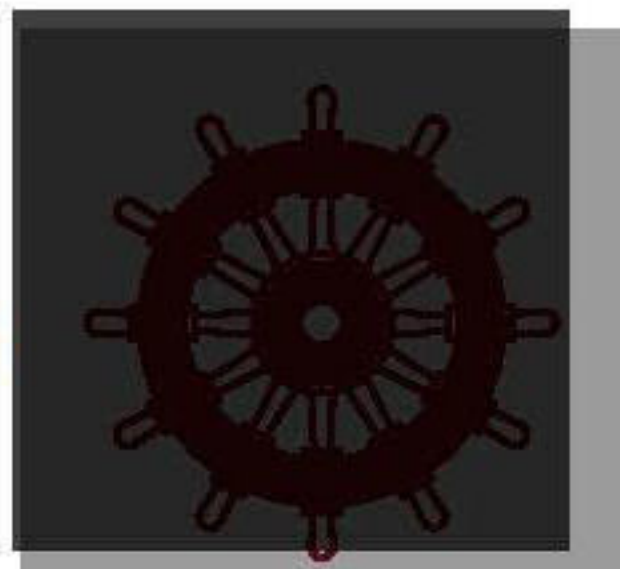
NEW

**MBK18 - SJR - 08A - MED** 3/4"

Wall Mounted **MANUAL** Swinging Hose Reel with Fire Hose 3/4", 30m. Ready to Use. Nozzle.

Minimum Cabinet Size (WxHxD): 700x700x230mm  
**CERTIFIED ACCORDING to CPR (CE) 305/2011/EU & EN671-1:2012**

MARINE PROD



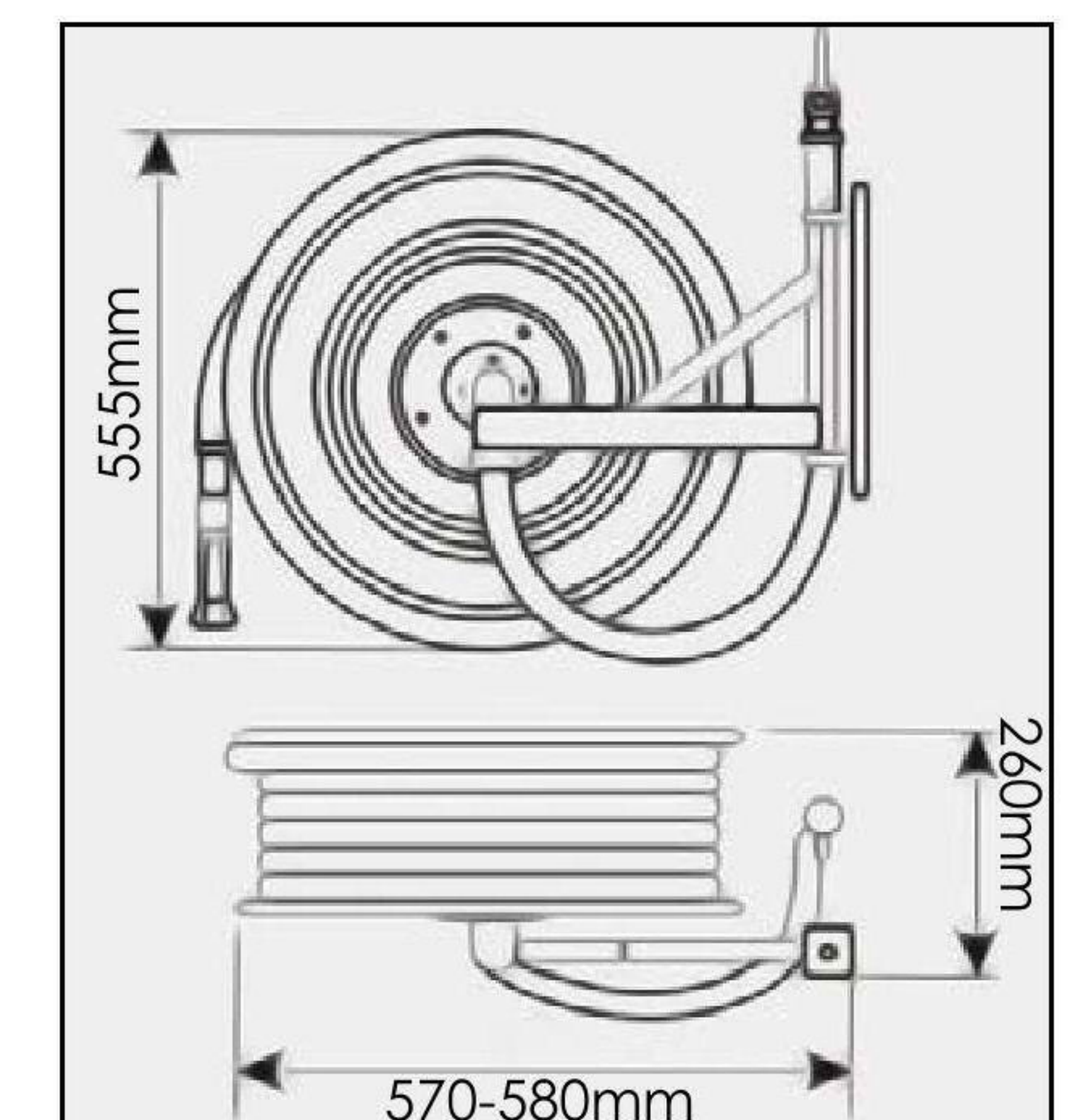
EN671-1

CODE 0139030

**MBK14 - SJR - 10B** 3/4"

Wall Mounted **AUTOMATIC** Swinging Hose Reel with Fire Hose 3/4", 30m. Ready to Use. Nozzle.

Minimum Cabinet Size (WxHxD): 700x700x270mm  
**CERTIFIED ACCORDING to CPR (CE) 305/2011/EU & EN671-1:2012**





# FIRE HOSE CABINETS

## FIRE TOOL STATIONS AND RELATIVE EQUIPMENT



CODE 0139031

**MBK14 - SJR - 12A** 3/4"

Wall Mounted **MANUAL** swinging Hose Reel with Fire Hose 3/4", 30m. Ready to Use. Nozzle.  
Minimum Cabinet Size (WxHxD): 700x700x280mm  
**CERTIFIED ACCORDING to CPR (CE) 305/2011/EU & EN671-1:2012**

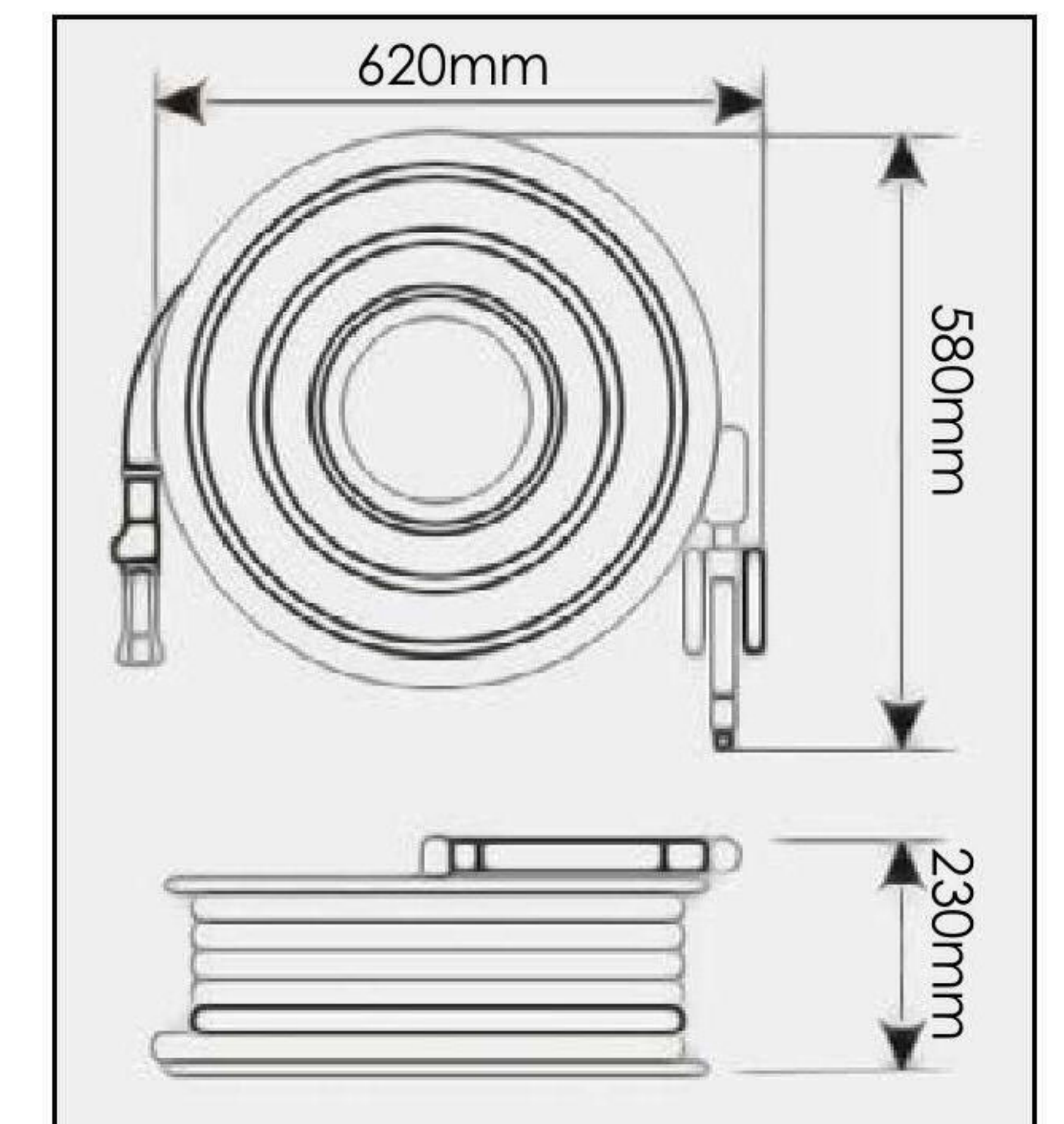
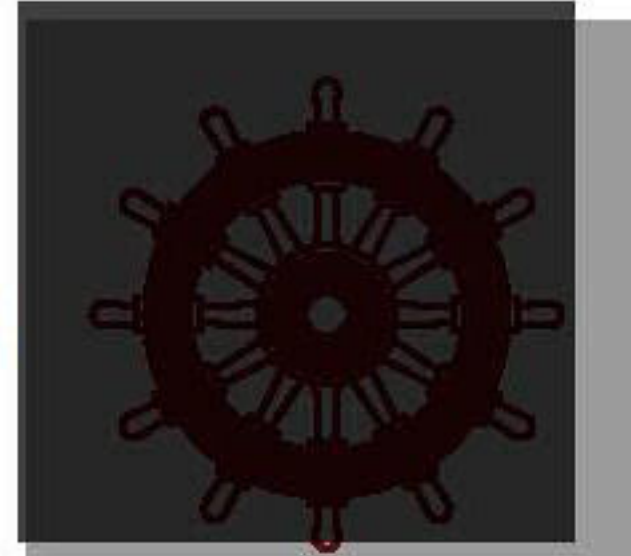


CODE 0139121

NEW

**MBK18 - SJR - 12A - MED** 3/4"

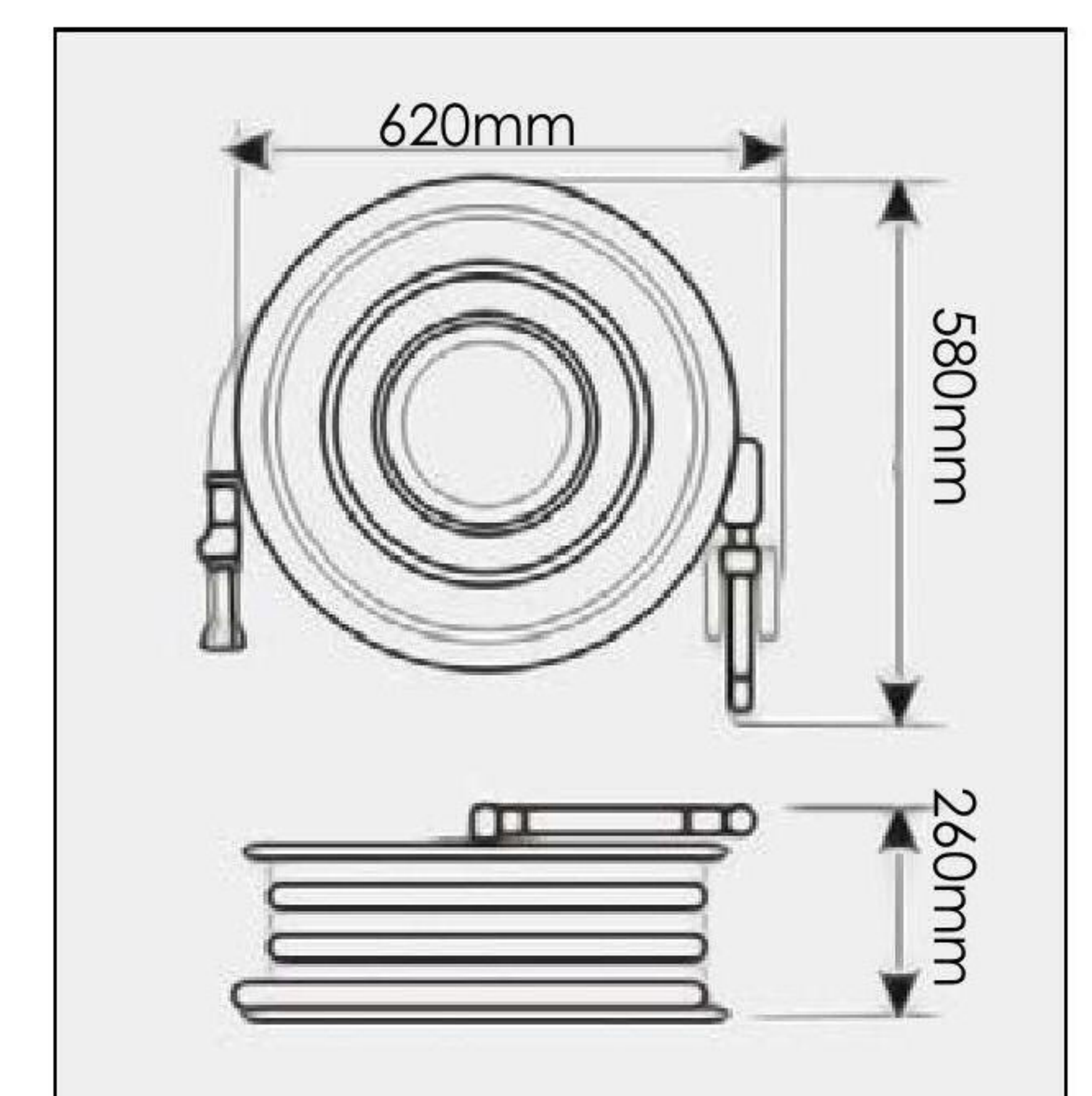
Wall Mounted **MANUAL** swinging Hose Reel with Fire Hose 3/4", 30m. Ready to Use. Nozzle.  
Minimum Cabinet Size (WxHxD): 700x700x280mm  
**CERTIFIED ACCORDING to CPR (CE) 305/2011/EU & EN671-1:2012**



CODE 0139033

**MBK14 - SJR - 13A** 3/4"

Wall Mounted **AUTOMATIC** Swinging Hose Reel with Fire Hose 3/4", 30m. Ready to Use. Nozzle.  
Minimum Cabinet Size (WxHxD): 700x700x280mm  
**CERTIFIED ACCORDING to CPR (CE) 305/2011/EU & EN671-1:2012**





# FIRE HOSE CABINETS

## FIRE TOOL STATIONS AND RELATIVE EQUIPMENT

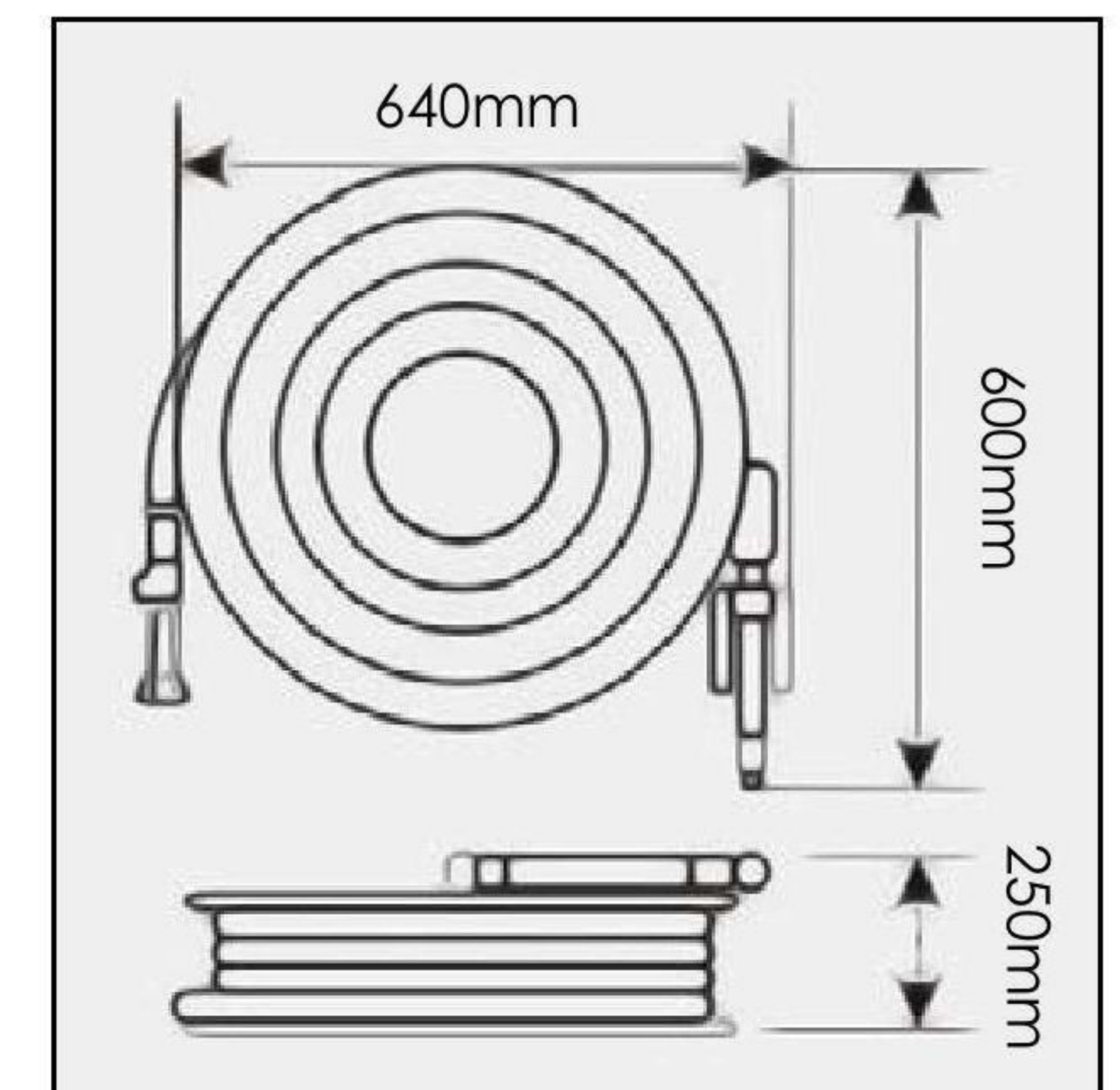


CODE 0139034

**MBK14 - SJR - 14A** 1"

Wall Mounted **MANUAL** swinging Hose Reel with Fire Hose 1", 30m. Ready to Use. Nozzle. Minimum Cabinet Size (WxHxD): 760x750x280mm

**CERTIFIED ACCORDING to CPR (CE) 305/2011/EU & EN671-1:2012**

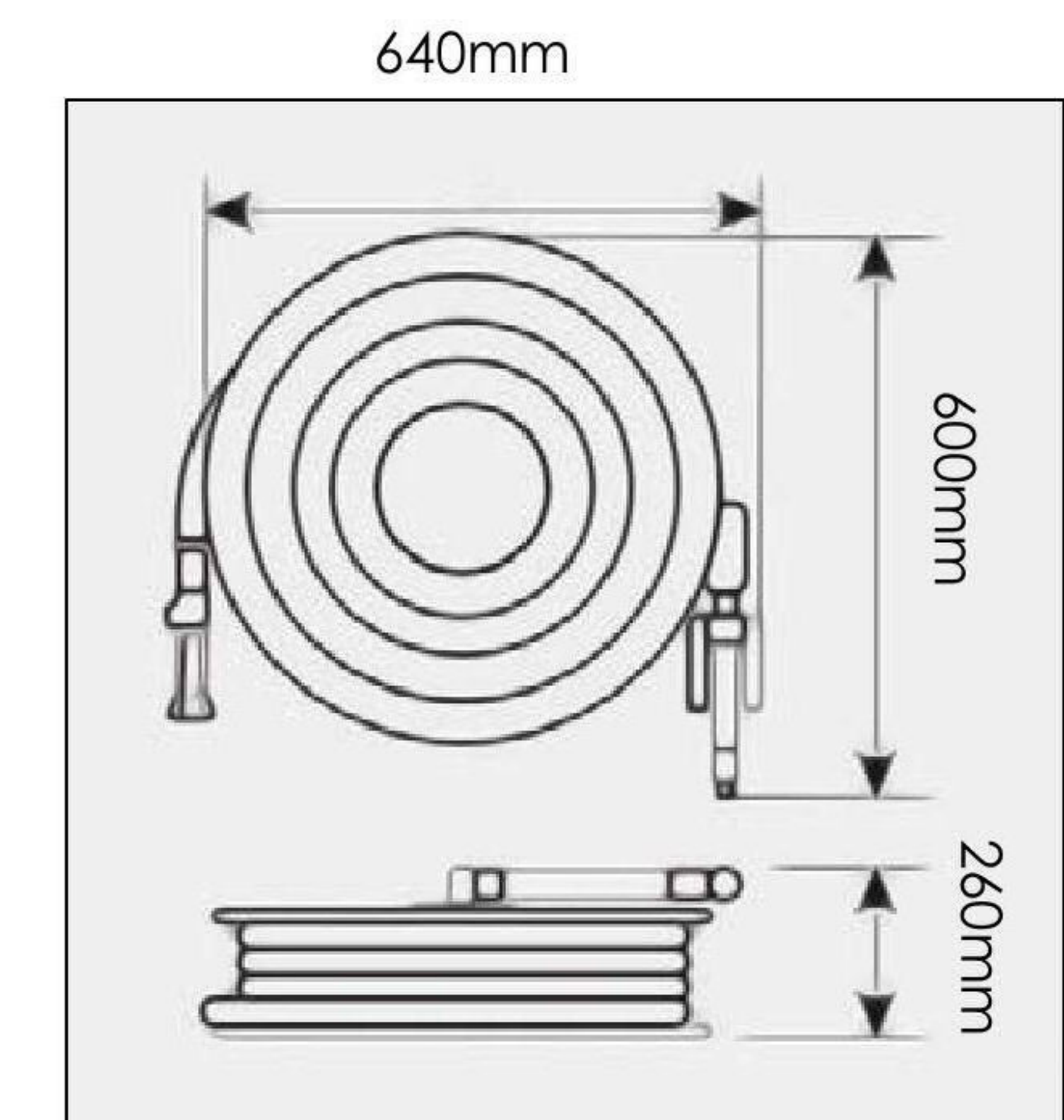


CODE 0139035

**MBK14 - SJR - 15A** 1"

Wall Mounted **AUTOMATIC** Swinging Hose Reel with Fire Hose 1", 30m. Ready to Use. Nozzle. Minimum Cabinet Size (WxHxD): 760x750x280mm

**CERTIFIED ACCORDING to CPR (CE) 305/2011/EU & EN671-1:2012**





# FIRE HOSE CABINETS

## FIRE TOOL STATIONS AND RELATIVE EQUIPMENT



EN671-1

CODE 0139013

**MBK10 - SJR - 04A** > 3/4"

Wall Mounted **MANUAL** Swinging Hose Reel with Fire Hose 3/4" 30m. Ready to Use. Nozzle. Minimum Cabinet Size (WxHxD): 700x700x300mm

**CERTIFIED ACCORDING to CPR (CE) 305/2011/EU & EN671-1:2012**



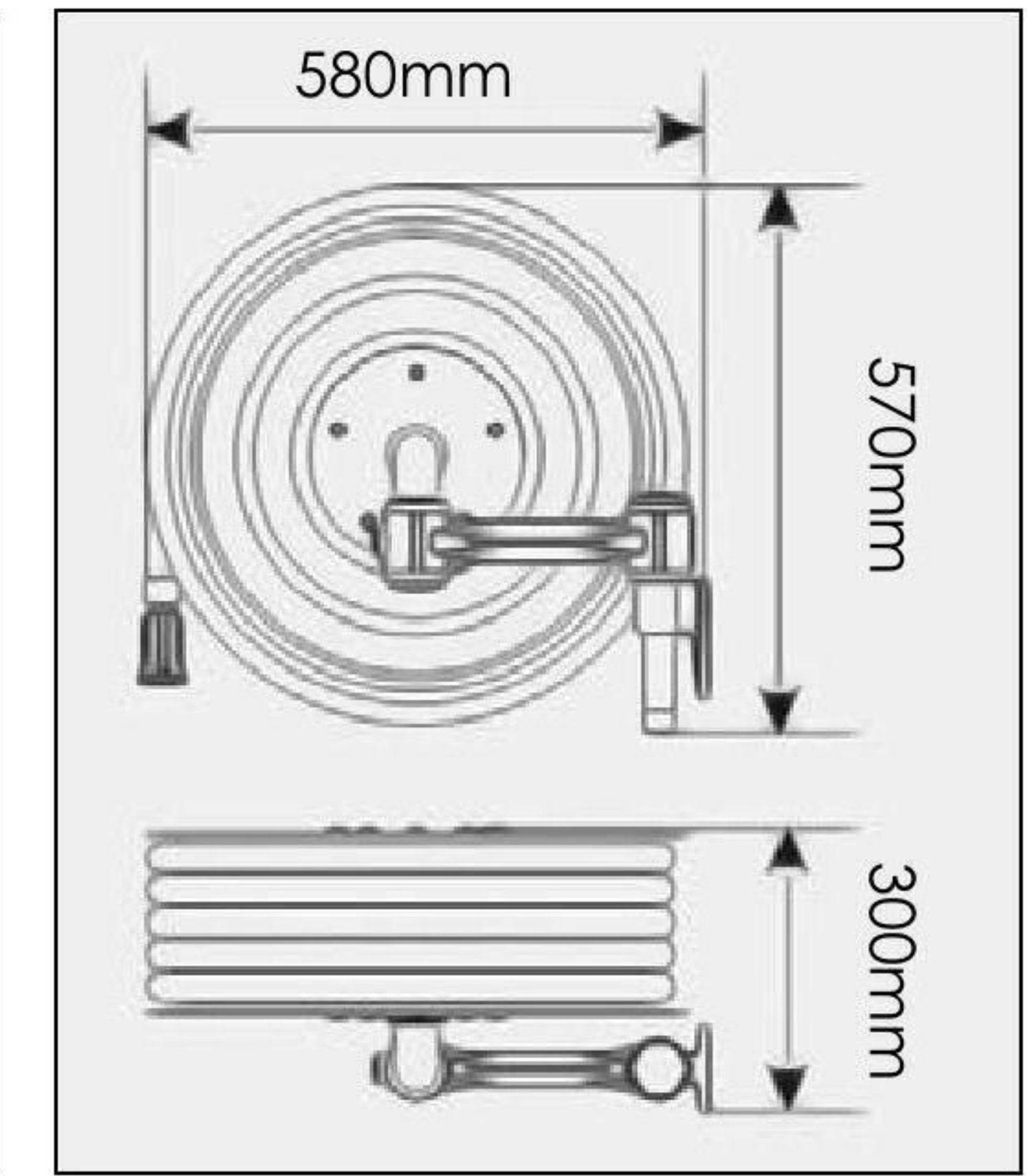
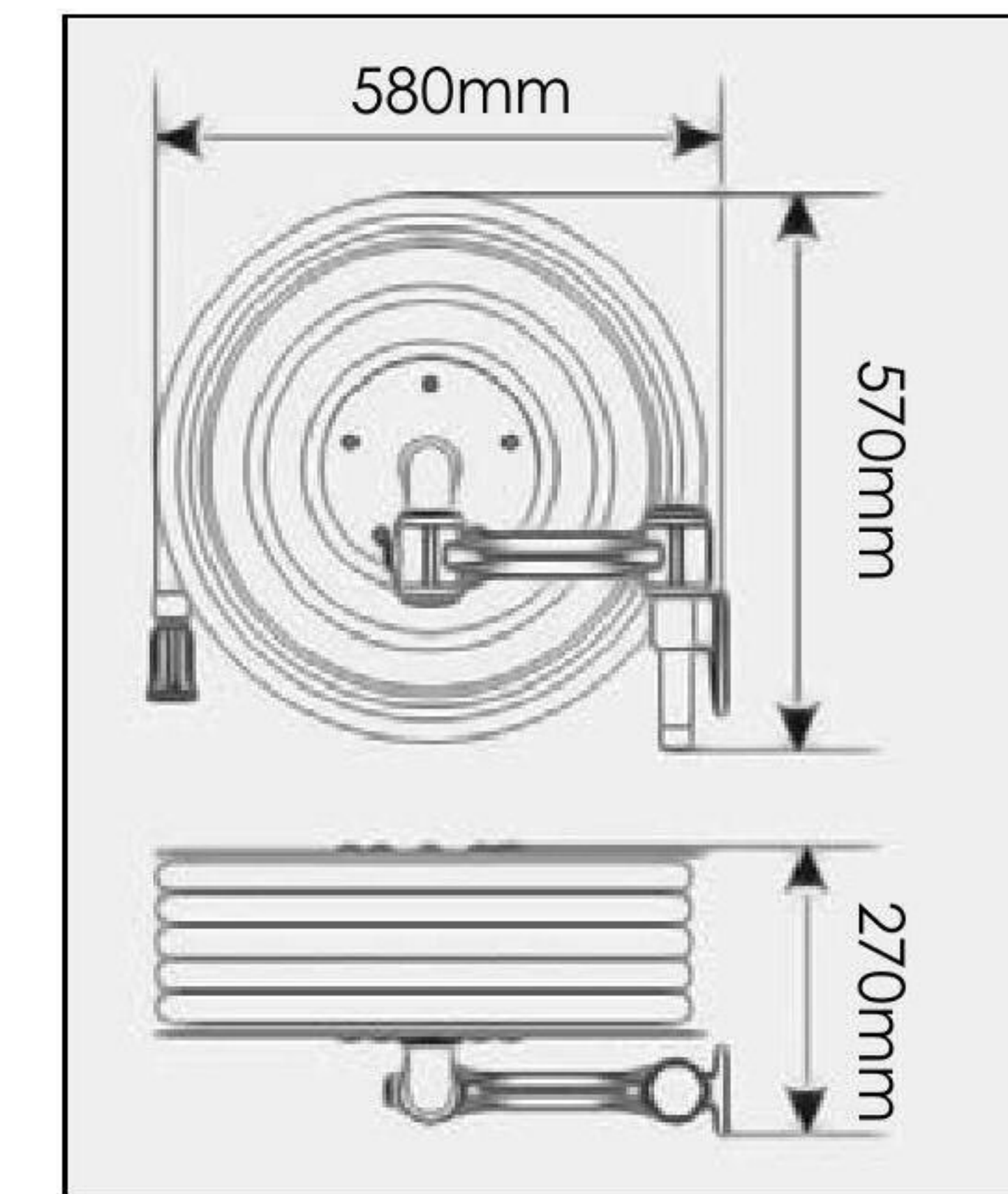
EN671-1

CODE 0139020

**MBK14 - SJR - 04B** > 1"

Wall Mounted **MANUAL** Swinging Hose Reel with Fire Hose 1" 30m. Ready to Use. Nozzle. Minimum Cabinet Size (WxHxD): 700x700x330mm

**CERTIFIED ACCORDING to CPR (CE) 305/2011/EU & EN671-1:2012**



CODE 0139016

**MBK10 - SJR - 07A** > 3/4"

Wall Mounted **MANUAL** Swinging Hose Reel with Fire Hose 3/4" 30m. Ready to Use. Nozzle. Minimum Cabinet Size (WxHxD): 760x720x200mm



EN671-1

CODE 0139025

**MBK10 - SJR - 07B** > 1"

Wall Mounted **MANUAL** Swinging Hose Reel with Fire Hose 1" 30m. Ready to Use. Nozzle. Minimum Cabinet Size (WxHxD): 760x720x230mm

**CERTIFIED ACCORDING to CPR (CE) 305/2011/EU & EN671-1:2012**



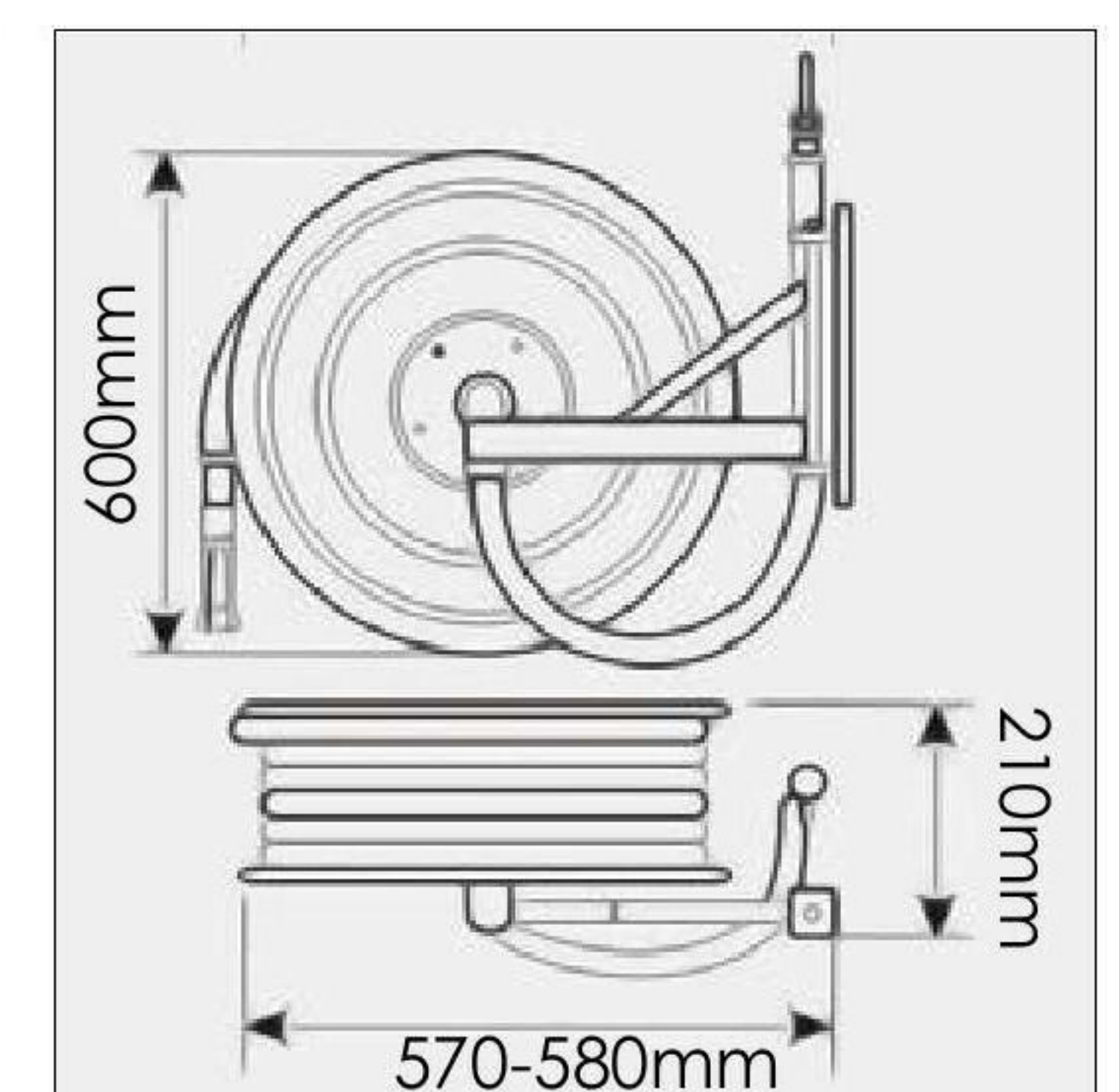
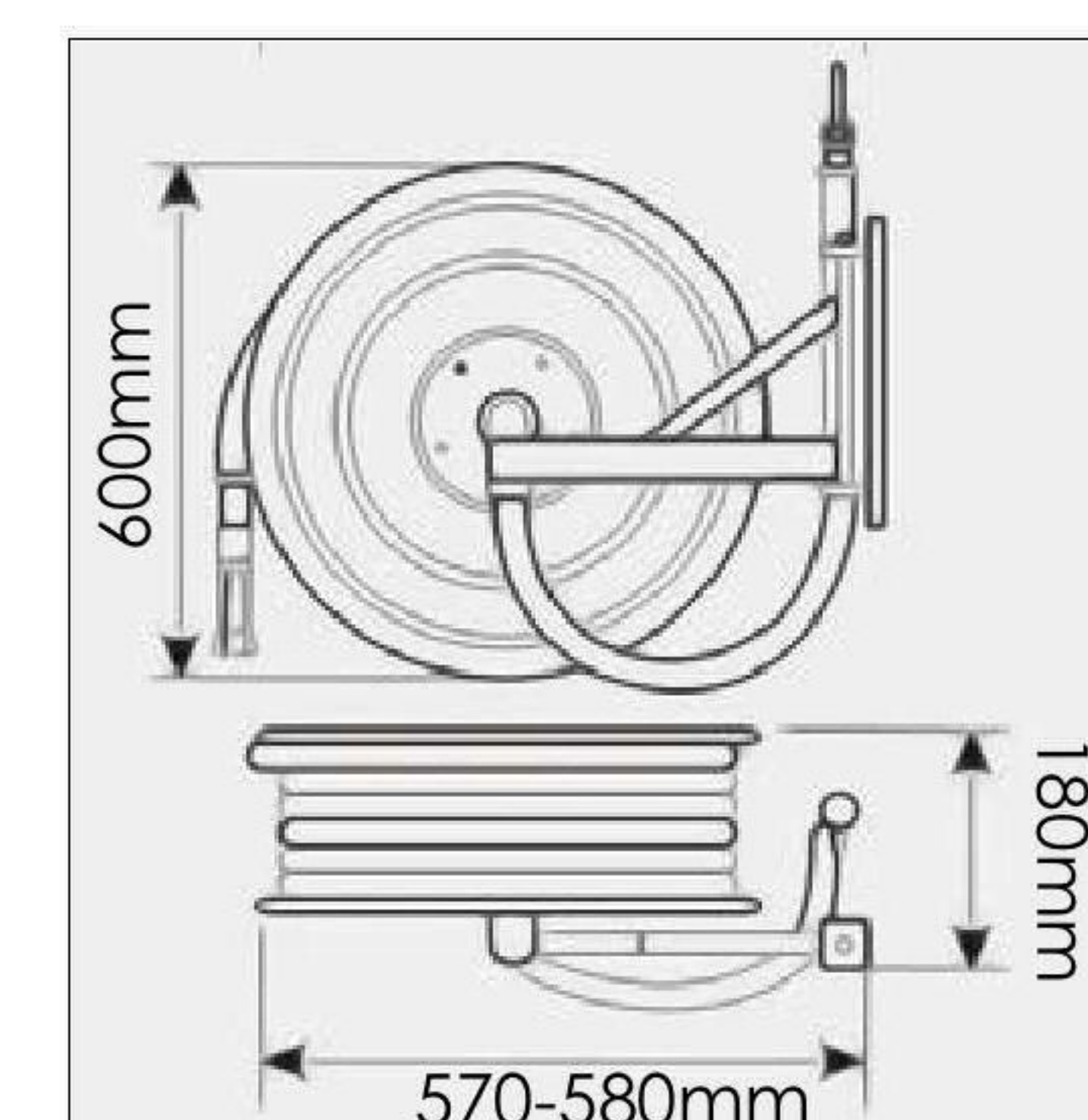
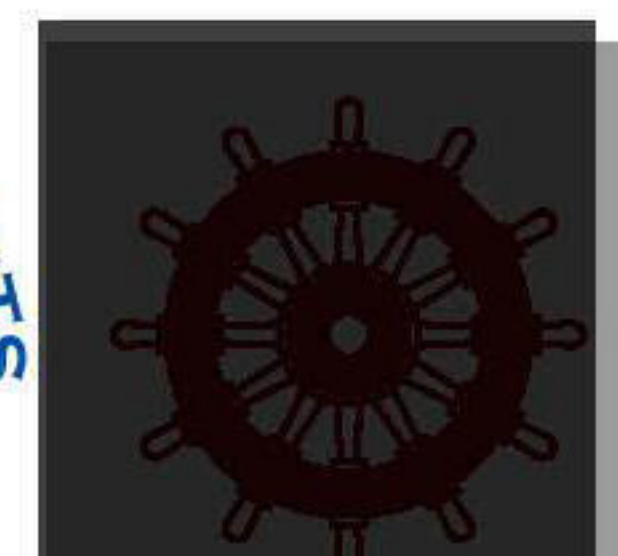
EN671-1

CODE 0139119

**MBK18 - SJR - 07B - MED** > 1"

Wall Mounted **MANUAL** Swinging Hose Reel with Fire Hose 1" 30m. Ready to Use. Nozzle. **Minimum Cabinet Size (WxHxD): 760x720x230mm**

**CERTIFIED ACCORDING to CPR (CE) 305/2011/EU & EN671-1:2012**





# FIRE HOSE CABINETS

## FIRE TOOL STATIONS AND RELATIVE EQUIPMENT

# NF FIRE HOSE REEL



CODE 0139126



NEW

### MBK18 - HR33 - NF

MANUAL Swinging Hose Reel with Semi Rigid Fire Hose 1.3" 30m. It comes with the Wall Bracket, the Angle Valve G1-1/2" and a PVC sign with dimensions 150x150mm.



CODE 0102297



NEW

### MBK18 - REEL - FBASE

Floor Type Heavy Duty Stand for the NF Approved Hose Reel



CODE 0133050



NEW

### MBK18 - REEL33 - COVER

Nylon Cover for NF Approved Hose Reel





# FIRE HOSE CABINETS

## FIRE TOOL STATIONS AND RELATIVE EQUIPMENT



### Non - Swinging Automatic $\Phi$ 600mm

TECHNICAL SPECIFICATIONS						
ERP	Code	Drum Diameter (mm)	Water hose (Diameter x Length)		Dimensions (mm)	Carton Box Dimensions
			$\Phi$ 25mm	$\Phi$ 19mm	$\Phi$ x A	
0139143	MBK16-HR600-013	600	20m		600x210	610x215x610
0139144	MBK16-HR600-014	600	25m		600x210	610x215x610
0139145	MBK16-HR600-015	600	30m		600x240	610x245x610
0139146	MBK16-HR600-016	600		20m	600x170	610x175x610
0139147	MBK16-HR600-017	600		25m	600x170	610x175x610
0139148	MBK16-HR600-018	600		30m	600x210	610x215x610

\* Working Pressure 12bar, Test Pressure 18bar



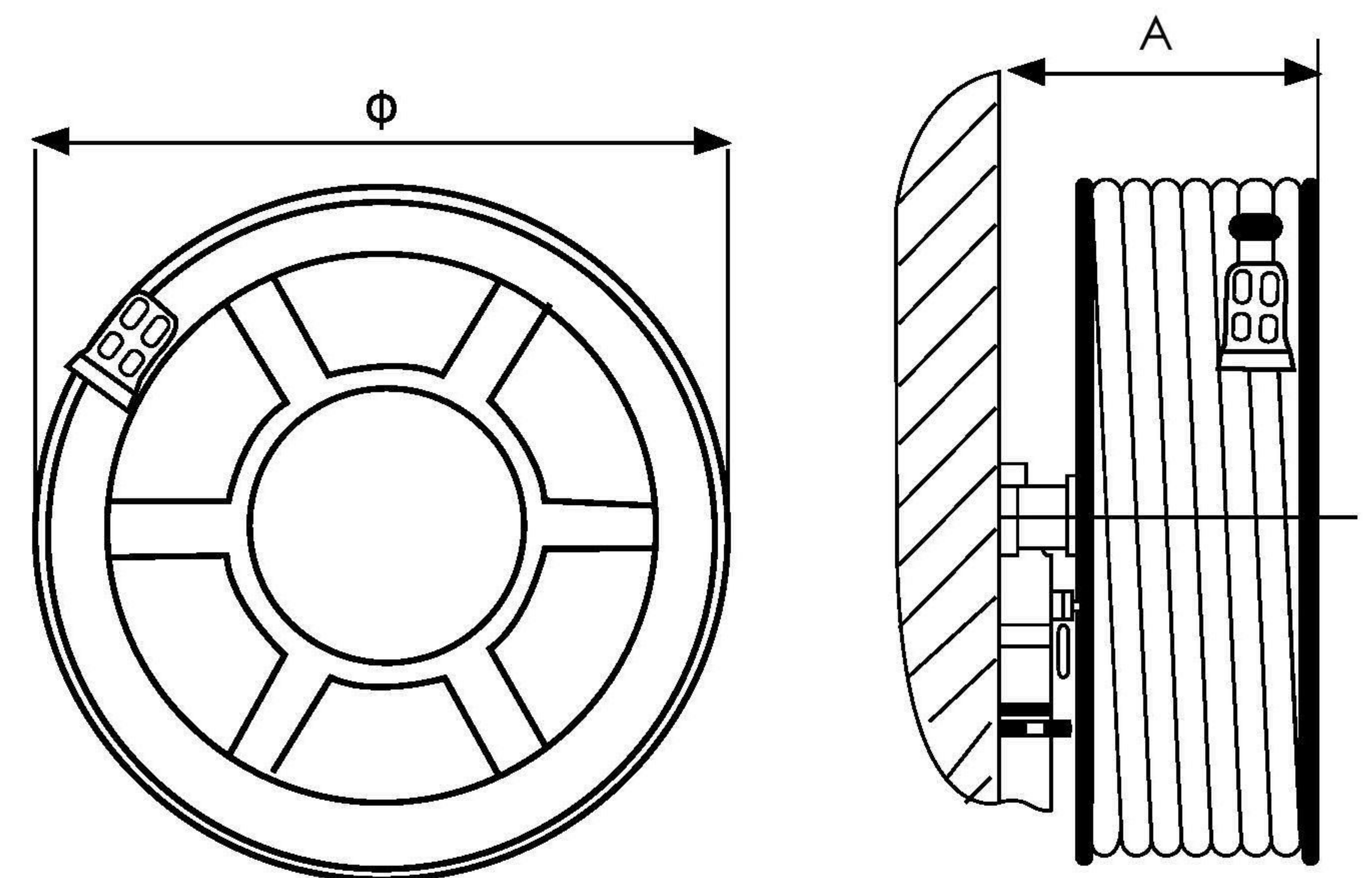
### Non - Swinging Manual $\Phi$ 600mm

TECHNICAL SPECIFICATIONS						
ERP	Code	Drum Diameter (mm)	Water hose (Diameter x Length)		Dimensions (mm)	Carton Box Dimensions
			$\Phi$ 25mm	$\Phi$ 19mm	$\Phi$ x A	
0139149	MBK16-HR600-001	600	20m		600x210	610x215x610
0139150	MBK16-HR600-002	600	25m		600x210	610x215x610
0139151	MBK16-HR600-003	600	30m		600x240	610x245x610
0139152	MBK16-HR600-004	600		20m	600x170	610x175x610
0139153	MBK16-HR600-005	600		25m	600x170	610x175x610
0139154	MBK16-HR600-006	600		30m	600x210	610x215x610

\* Working Pressure 12bar, Test Pressure 18bar



**CE0620**  
CPR-305/2011



#### Specifications

Steel Drum with Electrostatic paint RAL 3000  
Brass Water Inlet  
Nozzle Jet - Spray - Off  
Certified EN694 Water Hose  
Wall Mounting Bracket  
Connection with Water Supply  
CE Certified According EN671

#### Optional

Stainless Steel Drum  
Dimension of Drum  
Direction of the Hose Reel Rotation  
Black Hose



# FIRE HOSE CABINETS

## FIRE TOOL STATIONS AND RELATIVE EQUIPMENT

### Swinging Automatic $\Phi$ 600mm

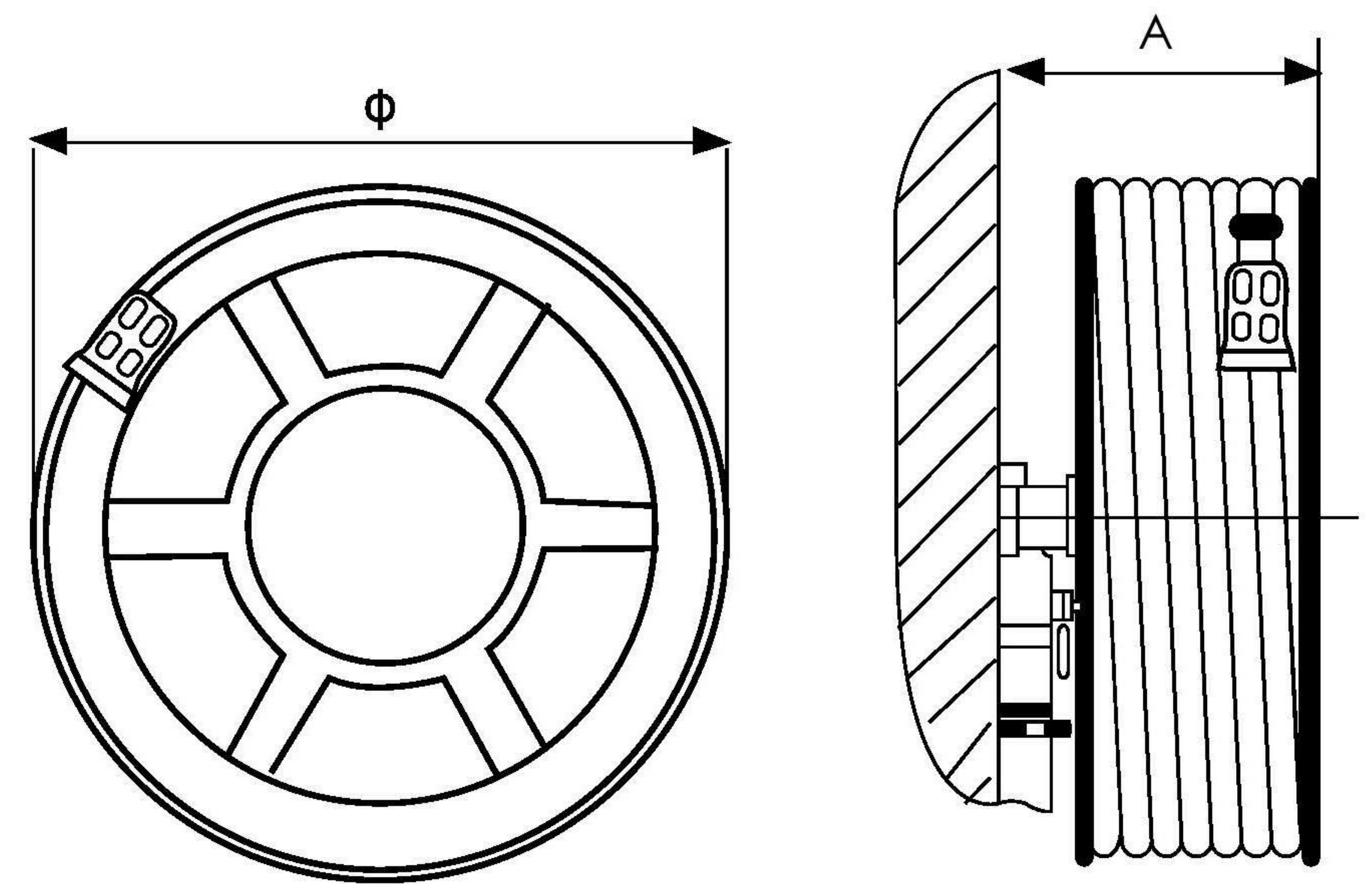


TECHNICAL SPECIFICATIONS						
ERP	Code	Drum Diameter (mm)	Water hose (Diameter x Length)		Dimensions (mm) $\Phi$ x A	Carton Box Dimensions
			$\Phi$ 25mm	$\Phi$ 19mm		
0139155	MBK16-HR600-019	600	20m		645x210	620x220x620
0139156	MBK16-HR600-020	600	25m		645x210	620x220x620
0139157	MBK16-HR600-021	600	30m		645x240	620x250x620
0139158	MBK16-HR600-022	600		20m	645x170	620x180x620
0139159	MBK16-HR600-023	600		25m	645x170	620x180x620
0139160	MBK16-HR600-024	600		30m	645x210	620x220x620

\* Working Pressure 12bar, Test Pressure 18bar



**CE0620**  
CPR-305/2011



### Swinging Manual $\Phi$ 600mm



TECHNICAL SPECIFICATIONS						
ERP	Code	Drum Diameter (mm)	Water hose (Diameter x Length)		Dimensions (mm) $\Phi$ x A	Carton Box Dimensions
			$\Phi$ 25mm	$\Phi$ 19mm		
0139161	MBK16-HR600-007	600	20m		645x210	620x220x620
0139162	MBK16-HR600-008	600	25m		645x210	620x220x620
0139163	MBK16-HR600-009	600	30m		645x240	620x250x620
0139164	MBK16-HR600-010	600		20m	645x170	620x180x620
0139165	MBK16-HR600-011	600		25m	645x170	620x180x620
0139166	MBK16-HR600-012	600		30m	645x210	620x220x620

\* Working Pressure 12bar, Test Pressure 18bar

#### Specifications

Steel Drum with Electrostatic paint RAL 3000  
 Brass Water Inlet  
 Nozzle Jet - Spray - Off  
 Certified EN694 Water Hose  
 Swinging Bracket  
 Connection with Water Supply  
 CE Certified According EN671

#### Optional

Stainless Steel Drum  
 Dimension of Drum  
 Direction of the Hose Reel Rotation  
 Black Hose



# FIRE HOSE CABINETS

FIRE TOOL STATIONS AND RELATIVE EQUIPMENT

**✓ AS/NZS CERTIFIED FIRE HOSE REELS**  
**Comply to Australian Standards AS/NZS 1221**  
**Easy Operation and Maintenance**



CODE 0139214



NEW

**MBK20 - SJR - 03A**

Fixed Fire Hose Reel 3/4" \*36m black ribbed PVC fire hose side plate 460mm 19mm metal twisted nozzle (or plastic or lever action) Inlet Pipe, 1"-1" Union, wall bracket, hose holder, fixed bracket 1"-1" ball valve with nozzle locking device marked with "Watermark" AS/NZS 1221 Certificated

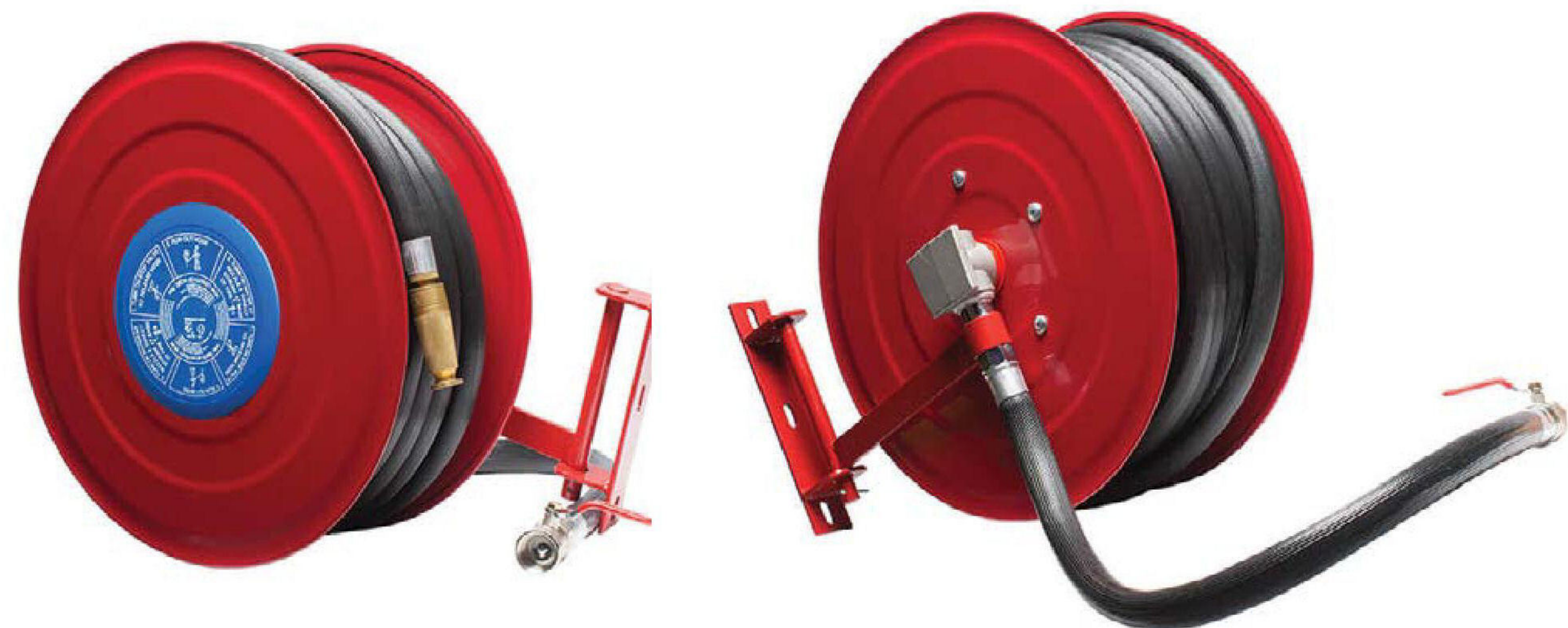


NEW

CODE 0139216

**MBK20 - SJR - 03B**

Manual & Swinging Arm Type Fire Hose Reel 3/4" \*36m black ribbed PVC fire hose side plate 460mm 19mm metal twisted nozzle L-type swinging arm, π-type wall bracket. Certified Ball Valve marked with "watermark" AS/NZS 1221 Certificated



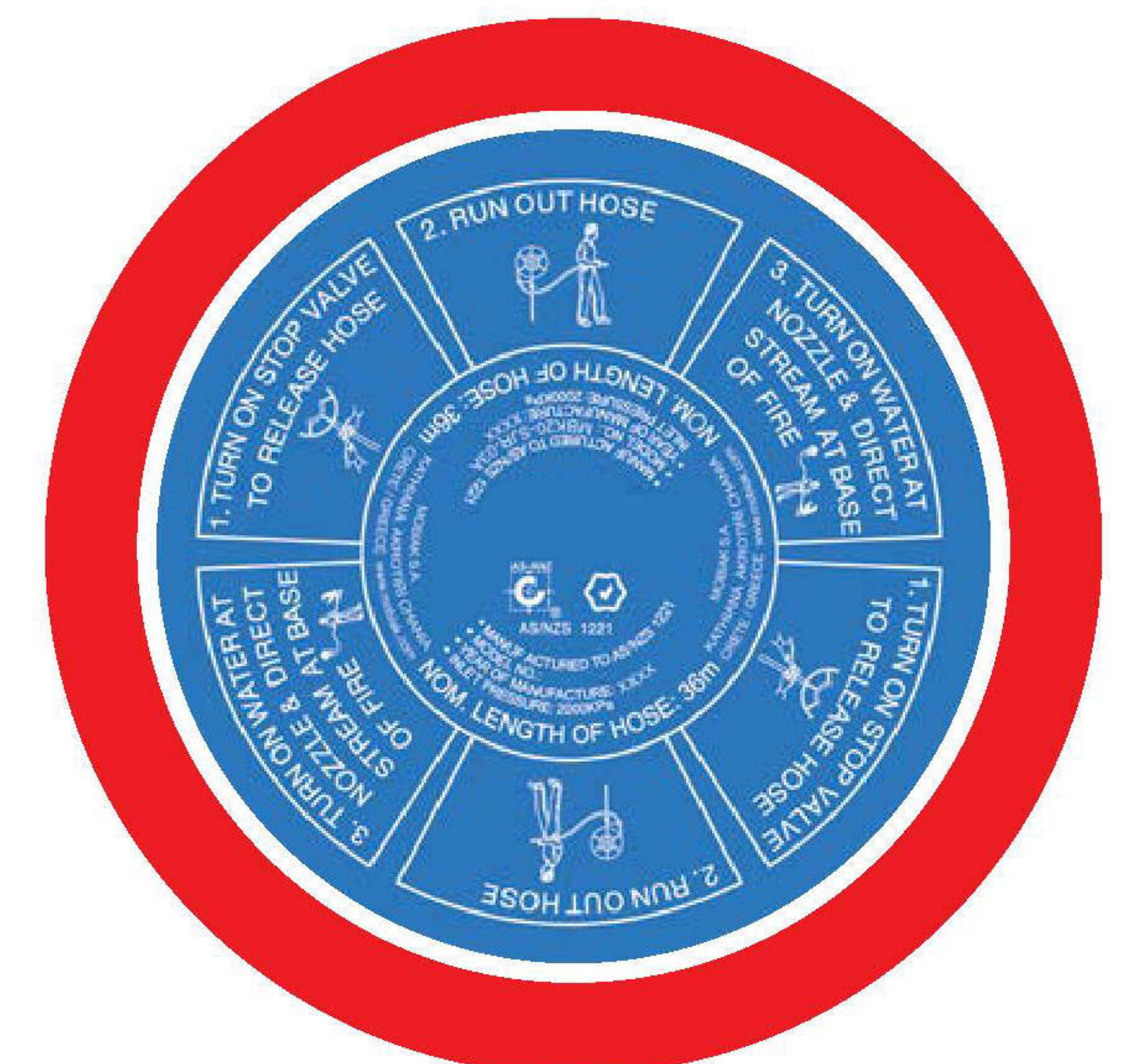
CODE 0139217



NEW

**MBK20 - SJR - 03C**

Fixed Fire Hose Reel 3/4" \*36m black ribbed PVC fire hose side plate 500mm 19mm metal twisted nozzle (or plastic or lever action) Inlet Pipe, 1"-1" Union, wall bracket, hose holder, fixed bracket Certified Ball Valve marked with "watermark" AS/NZS 1221 Certificated

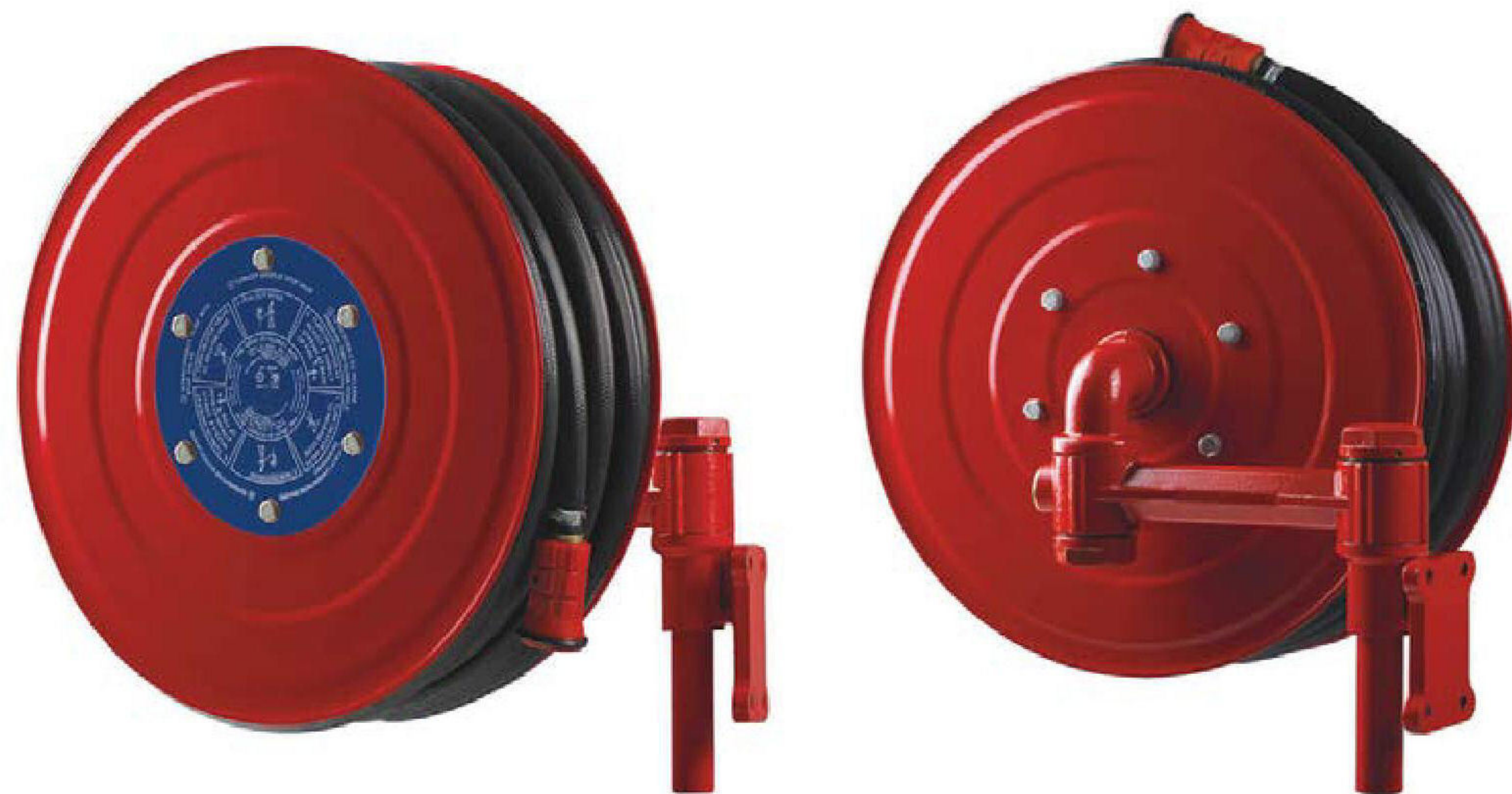




# FIRE HOSE CABINETS

## FIRE TOOL STATIONS AND RELATIVE EQUIPMENT

✓ **AS/NZS CERTIFIED FIRE HOSE REELS**  
**Comply to Australian Standards AS/NZS 1221**  
**Easy Operation and Maintenance**



CODE 0139215



NEW

**MBK20 - SJR - 04C**

Manual & Swinging Pipe Type Fire Hose Reel 3/4" \*36m black ribbed PVC fire hose side plate 460mm 19mm metal twisted nozzle (or plastic or lever action) Union Certified Ball Valve marked with "Watermark" AS/NZS 1221 Certificated



CODE 0139218



NEW

**MBK20 - SJR - 03D**

Fixed Fire Hose Reel 3/4" \*36m black ribbed PVC fire hose side plate 555mm 19mm metal twisted nozzle (or plastic or lever action Inlet Pipe, 1"-1" Union, wall bracket, hose holder, fixed bracket Certified Ball Valve marked with "watermark" AS/NZS 1221 Certificated





# FIRE HOSE CABINETS

## FIRE TOOL STATIONS AND RELATIVE EQUIPMENT



CODE 0120125

**MBK15 - PL - 20**

Water Hose 1/2", 20m.

CODE 0120134

**MBK15 - UT20 - 34HOSE**

Water Hose 3/4", 20m.

CODE 0120077

**KX - HLC - HOSE2**

Water Hose 3/4",  
for Wall Mounted Hose reels

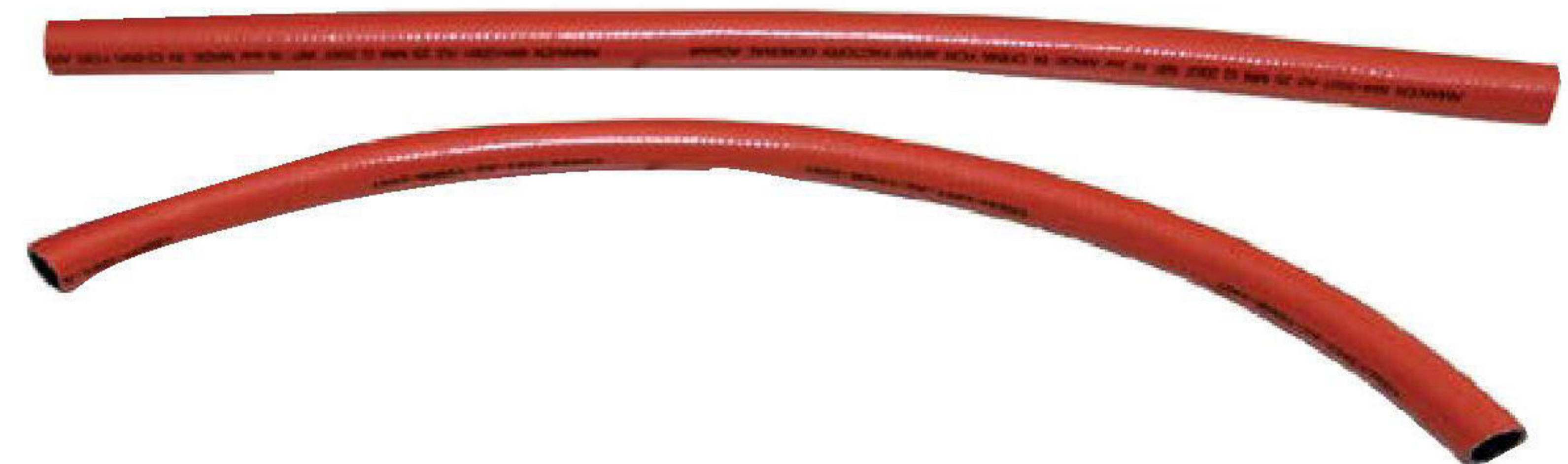
WP 12bar EN694:2001

CODE 0120078

**KX - HLC - HOSE1**

Water Hose 1",  
for Wall Mounted Hose reels

WP 12bar EN694:2001



CODE 0102208

**MBK10 - SEMIRIGID - 1 - 30**

1" 15bar Red, 30m

Wire Bound Of Hoses With Couplings Using



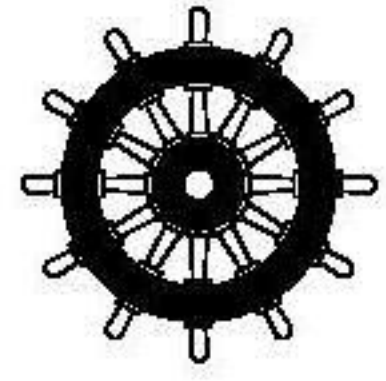
# FIRE HOSE CABINETS

## FIRE TOOL STATIONS AND RELATIVE EQUIPMENT

### WIRE BOUND FIRE HOSE

WIRE BOUND FIRE HOSE WITH GALVANIZED STAINLESS STEEL WIRE WITH STORZ COUPLINGS AND PLASTIC SLEEVES FOR PROTECTION OF THE USER'S HANDS

HIGH QUALITY HEAVY DUTY FIRE HOSES. THE TYPE OF CERTIFICATE IS TYPED ON EACH FIRE HOSE



MED 96/98 /EC DIN 14811  
GL EN 14540:2004 AI:2007



EACH CERTIFIED FIRE HOSE  
IS DELIVERED IN A WHITE CARTON BOX

*Exclusive!*

CODE 0102162

**MBK07 - EL - 8B20M1**

1" 8bar, 20m

CODE 0102192

**MBK07 - EL - 8B30M1**

1" 8bar, 30m

CODE 0102164

**MBK07 - EL - 8B20M1 1/2'**

1 1/2" 8 bar, 20m

CODE 0102142

**MBK07 - BD - 8B20M134**

1 3/4" 8 bar, 20m

CODE 0102194

**MBK07 - BD - 8B30M134**

1 3/4" 8 bar, 30m

CODE 0102145

**MBK07 - BD - 8B15M134**

1 3/4" 8 bar, 15m

CODE 0102146

**MBK07 - BD - 8B15M2**

2" 8 bar, 15m

CODE 0102143

**MBK07 - BD - 8B20M2**

2" 8 bar, 20m

CODE 0102205

**MBK10 - BD - 8B30M2**

2" 8 bar, 30m

CODE 0102166

**MBK07 - EL - 8B20M2 1/2**

2 1/2" 8 bar, 20m

Galvanized Stainless Steel Wire and Plastic Sleeves



# FIRE HOSE CABINETS

## FIRE TOOL STATIONS AND RELATIVE EQUIPMENT

CODE 0102170

**MBK08 - EL - 16B20M1**

1" 16bar, 20m

EACH CERTIFIED FIRE HOSE  
IS DELIVERED IN A WHITE CARTON BOX



CODE 0102163

**MBK07 - EL - 16B25M1**

1" 16 bar, Red, 25m



CODE 0102213

**MBK07 - DIN - HS20 - 1 - 25**

1" 16 bar, Red, 25m, DIN  
14811



CODE 0102193

**MBK07 - EL - 16B30M1**

1" 16 bar, 30m

CODE 0102204

**MBK10 - EL - 16B30M11/2'**

1 1/2" 15 bar, 30m, EN 14540

CODE 0102140

**MBK07 - BD - 16B20M134**

1 3/4" 15 bar, 20m, EN 14540

CODE 0102165

**MBK07 - EL - 16B25M13/4'**

1 3/4" 15 bar, 25m, EN 14540

CODE 0102175

**MBK07 - EL - 16B30M13/4'**

1 3/4" 15 bar, 30m, EN 14540

CODE 0102141

**MBK07 - BD - 16B20M2**

2" 15 bar, 20m, EN 14540

CODE 0102195

**MBK07 - BD - 16B25M2**

2" 15 bar, 25m, EN 14540

CODE 0102182

**MBK07 - EL - 16B25M21/2**

2 1/2" 16 bar, 25m

CODE 0102176

**MBK07 - EL - 16B30M21/2**

2 1/2" 16 bar, 30m

CODE 0102167

**MBK07 - EL - 16B20M21/2**

2 1/2" 16 bar, 20m

### Protective Sleeve for Hose.

Protective Sleeve Fitted on the Wire  
Lacing to Protect User Hands from Injuries.



CODE 0141061

**MBK07 - UT - PS1** 1"

CODE 0141025

**KX08 - 006A - 98B** 1 1/2"

CODE 0141024

**KX08 - 006A - 98** 1 3/4"

CODE 0141026

**KX08 - 006A - 98C** 2"

CODE 0141027

**KX08 - 006A - 98A** 2 1/2"

CODE 0141028

**KX08 - 006A - 98D** 3"

Wire Bound Of Hoses With Couplings Using



# FIRE HOSE CABINETS

## FIRE TOOL STATIONS AND RELATIVE EQUIPMENT

### FIRE HOSE WP 8 bar, 20 METER Test Pressure 12 bar, BP ≥24 bar

Twilled Jacket Fire Hose for Preventing Tensile Stress to Get Developed Across the Hose.

**New Optimised** Internal Lining with Advanced Specifications. High Strength in Tensile Stress. Thickness 0,35mm, Thinner in Comparison to Common Hoses, but with Better Performance because of the Use of New Plastic (not recycled)  
**Tested One by One!**

*Exclusive!*



**INTERNAL COATING!**

CODE 0102009

**KX14 - 501 - A1**

1" 80gr/m

CODE 0102008

**KX14 - 501 - A5**

2 1/2" 150gr/m

CODE 0102050

**KX14 - 501 - A3**

1 3/4" 130gr/m

CODE 0102013

**KX14 - 501 - A2**

1 1/2" 100gr/m

CODE 0102006

**KX14 - 501 - A4**

2" 145gr/m

CODE 0102051

**KX14 - 501 - A6**

3" 280gr/m

### FIRE HOSE WP 8 bar, 30 METER Test Pressure 24 bar, BP ≥50 bar

*Exclusive!*



**INTERNAL COATING!**



**UPPON SPECIAL ORDER  
THE FIRE HOSE CAN BE CUT  
IN TWO PIECES OF 15m EACH**

CODE 0102155

**KX14 - 501 - A1 - 30**

1" 80gr/m

CODE 0102156

**KX14 - 501 - A3 - 30**

1 3/4" 130gr/m

CODE 0102157

**KX14 - 501 - A4 - 30**

2" 145gr/m

Galvanized Stainless Steel Wire and Plastic Sleeves



# FIRE HOSE CABINETS

## FIRE TOOL STATIONS AND RELATIVE EQUIPMENT

**FIRE HOSE WP 15/16 bar**  
**Test Pressure 22,5 bar, BP ≥45 bar**

New Optimized Internal Lining with Advanced Properties e.g. High Strength in Tensile Stress.

**Tested One by One!**

*Exclusive!*



**EACH CERTIFIED FIRE HOSE  
IS DELIVERED IN A WHITE CARTON BOX**

CODE 0102148

**MBK07 - EL - 16B1" - 20**

1" 20m, 100gr/m

CODE 0102158

**MBK07 - EL - 16B1" - 25**

1" 25m, 100gr/m

CODE 0102138

**MBK07 - EL - 16B1" - 30**

1" 30m, 100gr/m

CODE 0102011

**MBK07 - EL - 16B112 - 30**

1 1/2" 30m, 175gr/m EN 14540

CODE 0102014

**KX14 - 506 - AH3 - 20**

1 3/4" 20m, 180gr/m EN 14540

CODE 0102015

**KX14 - 506 - AH3 - 25**

1 3/4" 25m, 180gr/m EN 14540

CODE 0102016

**KX14 - 506 - AH3 - 30**

1 3/4" 30m, 180gr/m EN 14540

CODE 0102019

**KX14 - 506 - AH4 - 20**

2" 20m, 230gr/m EN 14540

CODE 0102020

**KX14 - 506 - AH4 - 25**

2" 25m, 230gr/m EN 14540

CODE 0102000

**KX14 - 506 - AH4 - 30**

2" 30m, 230gr/m EN 14540

CODE 0102024

**KX14 - 506 - AH5 - 20**

2 1/2" 20m, 310gr/m

CODE 0102025

**KX14 - 506 - AH5 - 25**

2 1/2" 25m, 310gr/m

CODE 0102005

**KX14 - 506 - AH5 - 30**

2 1/2" 30m, 310gr/m

CODE 0102103

**KX14 - C14 - 7520**

3" 20m, 420gr/m



# FIRE HOSE CABINETS

## FIRE TOOL STATIONS AND RELATIVE EQUIPMENT



For Marine use

M A R I N E 

AFTER SPECIAL ORDER, FIRE HOSES CAN BE PRODUCED AT ANY COLOR COMBINATION



CODE 0102235

**MBK13 - EL - 15B112 - 15 - MED**

1 1/2" 15m, 175gr/m  
EN 14540, MED / SOLAS

CODE 0102206

**MBK10 - EL - 15B112 - 20 - MED**

1 1/2" 20m, 175gr/m  
EN 14540, MED / SOLAS

CODE 0102236

**MBK13 - EL - 15B112 - 25 - MED**

1 1/2" 25m, 175gr/m  
EN 14540, MED / SOLAS

CODE 0102237

**MBK13 - EL - 15B112 - 30 - MED**

1 1/2" 30m, 175gr/m  
EN 14540, MED / SOLAS

CODE 0102191

**KX14 - 504 - AH3 - 20 - MED**

1 3/4" 20m, 180gr/m  
EN 14540, MED / SOLAS

CODE 0102238

**MBK13 - EL - 15B2 - 15 - MED**

2" 15m, 230gr/m  
EN 14540, MED / SOLAS

CODE 0102203

**MBK10 - EL - 15B2 - 20 - MED**

2" 20m, 230gr/m  
EN 14540, MED / SOLAS

CODE 0102226

**MBK13 - EL - 15B2 - 25 - MED**

2" 25m, 230gr/m  
EN 14540, MED / SOLAS

CODE 0102230

**MBK13 - EL - 15B2 - 30 - MED**

2" 30m, 230gr/m  
EN 14540, MED / SOLAS

EACH CERTIFIED FIRE HOSE COMES IN A WHITE CARTON BOX



# FIRE HOSE CABINETS

## FIRE TOOL STATIONS AND RELATIVE EQUIPMENT

### FIRE HOSES UL / FM

Certified Fire Hose, **20m** with Heavy Duty Transparent Inner Lining from Synthetic EPDM, Excellent Performance in Low Temperatures. External Twilled Jacket for Extra Strength in Multiple Stresses.  
The Type of Certification is Indicated on the Hose.



**Tested One by One!**

EACH CERTIFIED FIRE HOSE  
IS DELIVERED IN A WHITE CARTON BOX

*Exclusive!*



CODE 0102240

**MBK14 - ULHOSE21 - 112**

**1 1/2" 21bar, UL LISTED**

CODE 0102242

**MBK14 - FM112 - LL**

**1 1/2" 11bar, FM APPROVED**

CODE 0102135

**KX14 - 506 - AH4 - 20FM**

**2" 8bar, FM APPROVED 180gr/m**

CODE 0102125

**KX19 - 002B - 00**

**2 1/2" 14bar, UL LISTED 475gr/m**

CODE 0102124

**KX19 - 002 - 00**

**1 1/2" 14bar, UL LISTED 410gr/m**

CODE 0102134

**KX14 - 506 - AH3 - 20FM**

**1 3/4" 8bar, FM APPROVED 150gr/m**

CODE 0102241

**MBK14 - ULHOSE21 - 212**

**2 1/2" 21bar, UL LISTED**

CODE 0102243

**MBK14 - FM212 - LL**

**2 1/2" 11bar, FM APPROVED**



# FIRE HOSE CABINETS

## FIRE TOOL STATIONS AND RELATIVE EQUIPMENT

### SPECIAL FIRE HOSE "FORESTRY HOSE"

Forestry Fire Hoses Are Made From Special Polyester Material And Their Internal Coating Of Tpu Elastomer Makes Them Ideal **For Forestry Fires**. Outer Material Is Specially Treated In Order To Achieve Reduced Friction When Dragging And Exceptional Endurance On High Temperatures. Recommended For Forestry And Municipal Fires.



EACH CERTIFIED FIRE HOSE  
IS DELIVERED IN A WHITE CARTON BOX



CODE 0102196

**MBK09 - EL - 21FOR - 25**

1" 21bar, Red, 25m

### FIRE RESISTANT FIRE HOSE "DUZ"

The New Durable Hose-duz Is A 3 Layers Of Nitrile Rubber Municipal Fire Hose. Both The Cover And The Liner Are (According Bs6391 Standard) Extruded Independently And Double Vulcanized Along With High Tensile Strength Polyester Reinforcement For Maximum Durability And Flexibility. Ribbed Nitrile Rubber Cover Greatly Increases Abrasion Resistance And Provides Long Service Life.

The Hose Remains Flexible To Temperatures From -20°C Up To 95°C And Is Recommended For Chemical And Petrochemical Applications, As Well As In Marine And Agricultural Applications.

Moreover, Due To It's Durability, It Is Also Suggested For Usage By Military And Security Forces.



EACH CERTIFIED FIRE HOSE  
IS DELIVERED IN A WHITE CARTON BOX

CODE 0102197

**KX14 - 506 - 134DUZ - 20**

1 3/4" 17bar, Red, 20m

CODE 0102198

**KX14 - 506 - 2DUZ - 20**

2" 17bar, Red, 20m



# FIRE HOSE CABINETS

## FIRE TOOL STATIONS AND RELATIVE EQUIPMENT

### PLASTIC FIRE HOSE

NBR / PVC Jacket, Red Color  
 Suitable for Chemical Industries and Refineries.

**WP 8bar**



CODE 0102187

**MBK09 - EL - 134PVC8**

1 3/4" 8bar, 20m

CODE 0102188

**MBK09 - EL - 2PVC8**

2" 8bar, 20m

### PLASTIC FIRE HOSE WP 16 bar, 20 METPQN Proof Pressure 22,5 bar, BP ≥48 bar

NBR / PVC Jacket, Red Color  
 Suitable for Chemical Industries and Refineries.

*Exclusive!*



EACH CERTIFIED FIRE HOSE  
 IS DELIVERED IN A WHITE CARTON BOX



CODE 0102144

**MBK07 - EL - 134PVC**

1 3/4"

CODE 0102147

**MBK07 - EL - 2PVC**

2"

CODE 0102220

**MBK12 - EL - 212PVC**

2 1/2"



# FIRE HOSE CABINETS

## FIRE TOOL STATIONS AND RELATIVE EQUIPMENT

### FIRE HOSE

Special Fire Hose Suitable For Fire Fighting  
Vehicles And Hose Reels

CODE 0102004

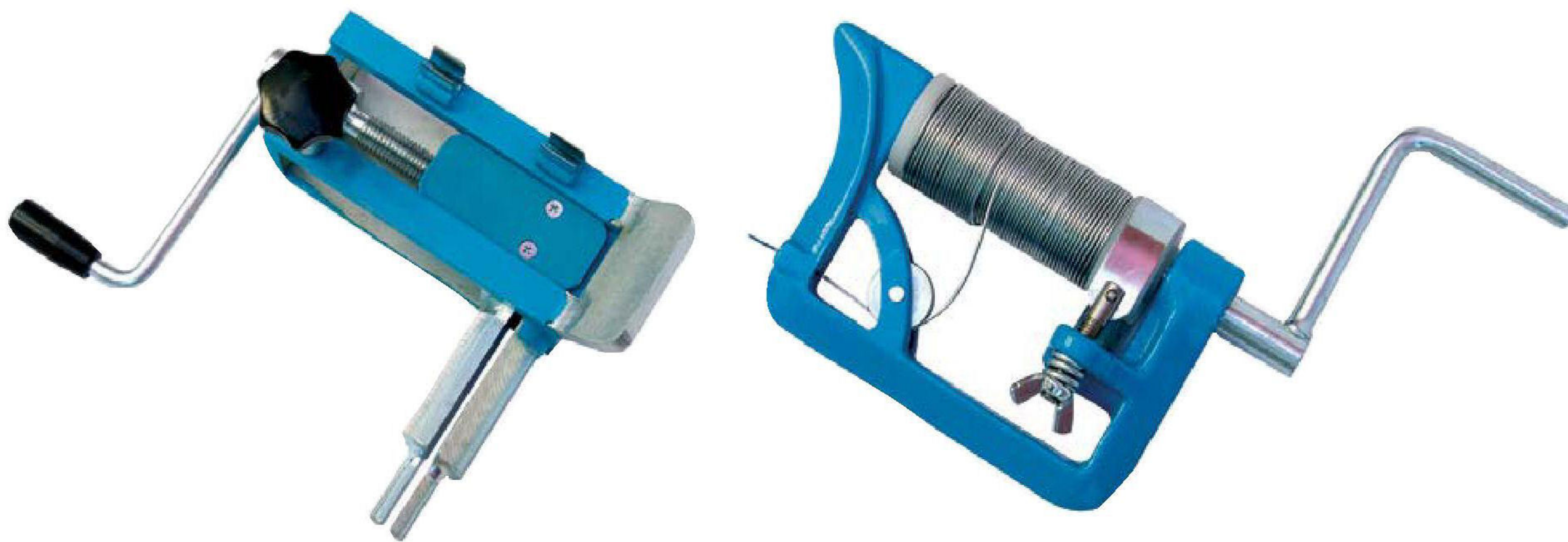
**KX14 - 501 - B2**

Fire hoses  $\frac{1}{2}$ ", 20m,  
with Resilient Elastic Inner Layer.

WP 8bar



### Portable Hose Binding Device

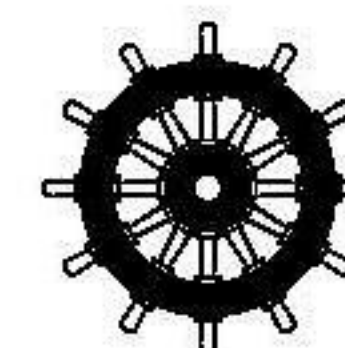


CODE 0143016

**MBK07 - EF - BINDING**

Portable Hose Binding Device with Coupling using  
Galvanized Wire. Suitable for 1" to 4" Hose.  
Consists of Two Parts: the Hose Vice and the Wire  
Binding Component.  
Also Suitable for Marine Use on Board

MARINE





# FIRE HOSE CABINETS

## FIRE TOOL STATIONS AND RELATIVE EQUIPMENT

### GALVANIZED CLAMPS



INOX

CODE 0102121

KX10 - 091A - 00A 1/2"

CODE 0102084

KX10 - 091B - 00A 1"

CODE 0102085

KX10 - 091C - 00A 1 1/2"

CODE 0102086

KX10 - 091D - 00A 1 3/4"

CODE 0102087

KX10 - 091E - 00A 2"

CODE 0102088

KX10 - 091F - 00A 2 1/2"

CODE 0102089

KX10 - 091G - 00A 3"

Perfect Adjustment of the Clamps on the Coupling's Tail Which results in an Ideal Binding of the Fire Hose!



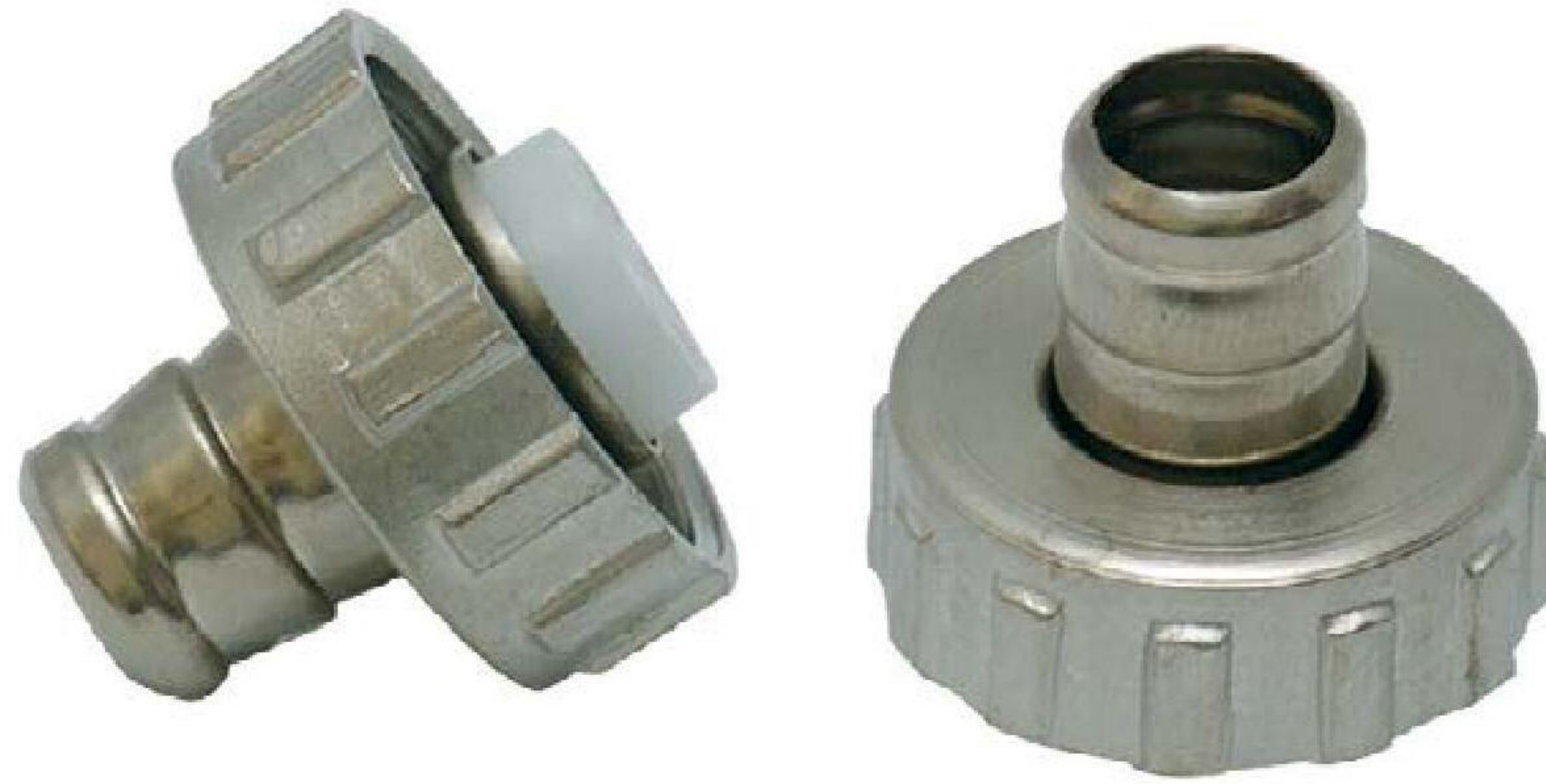
# FIRE HOSE CABINETS

## FIRE TOOL STATIONS AND RELATIVE EQUIPMENT

### COUPLINGS FOR FIRE HOSES AND WATER HOSES

#### WATER HOSE COUPLING

1/2" Coupling Adjusted to the **Water Hose** of the Small Fire Hose Cabinet for Fitting the Tap.



CODE 0124057

**KX09 - 003 - 221**

### CERTIFIED ALUMINUM COUPLINGS STORZ



CODE 0124079

**MBK07 - DIN - ST1F**

DIN 14306, 1" Thread

CODE 0124084

**MBK07 - DIN - ST1M**

DIN 14301, 1" Tail

CODE 0124191

**MBK13 - EN - ST134F**

EN 586, 1 3/4", Thread

CODE 0124118

**MBK07 - DIN - ST134M**

EN 586, 1 3/4", Tail

CODE 0124121

**MBK07 - DIN - ST2F**

DIN 14307, 2", Thread

CODE 0124119

**MBK07 - DIN - ST2M**

EN 586, 2", Tail

CODE 0124124

**MBK07 - NEN - ST212F**

NEN, 2 1/2", Thread

CODE 0124123

**MBK07 - NEN - ST212M**

2 1/2", Tail

CODE 0124122

**MBK07 - DIN - ST3F**

DIN 14308, 3", Thread (2 1/2" BSP)

CODE 0124120

**MBK07 - DIN - ST3M**

DIN 14332, 3", Tail



# FIRE HOSE CABINETS

## FIRE TOOL STATIONS AND RELATIVE EQUIPMENT

### ALUMINUM STORZ COUPLINGS

TS 50bar

Made of Pure Aluminum (not recycled), of High Endurance and Exceptional Shine. WITH WHITE RUBBER GASKET OF EXCELLENT QUALITY



CODE 0124006

**KX08 - 002Q - 00**

1", Thread

CODE 0124007

**KX08 - 001J - 00**

1", Tail

CODE 0124000

**KX08 - 002J - 00**

1 1/2", Thread

CODE 0124001

**KX08 - 001 - 00**

1 1/2", Tail

CODE 0124004

**KX08 - 002I - 00**

1 3/4", Thread

CODE 0124005

**KX08 - 001G - 00**

1 3/4", Tail

CODE 0124002

**KX08 - 002H - 00**

2", Thread

CODE 0124003

**KX08 - 001D1 - 00**

2", Tail

CODE 0124008

**KX08 - 002P - 00**

2 1/2", Thread

CODE 0124009

**KX08 - 001B1 - 00**

2 1/2", Tail

CODE 0124023

**MBK05 - YT - 3THR**

3", Thread

CODE 0124024

**MBK05 - YT - 3TAIL**

3", Tail



# FIRE HOSE CABINETS

## FIRE TOOL STATIONS AND RELATIVE EQUIPMENT

### SYSTOLIC ALUMINUM COUPLINGS

Used for Adapting Couplings of Different Dimensions.



CODE 0124167

**KX09 - 003 - 1074H**

1 1/2" x 1"

CODE 0124162

**KX09 - 003 - 1074C**

2 1/2" x 2"

CODE 0124176

**KX09 - 003 - 1074I**

2" x 2"

CODE 0124166

**KX09 - 003 - 1074G**

2" x 1"

CODE 0124163

**KX09 - 003 - 1074D**

2 1/2" x 1 1/2"

CODE 0124165

**KX09 - 003 - 1074F**

2" x 1 1/2"

CODE 0124161

**KX09 - 003 - 1074B**

3" x 1 1/2"

CODE 0124159

**KX09 - 003 - 1074**

3" x 2 1/2"

CODE 0124164

**KX09 - 003 - 1074E**

2 1/2" x 1"

CODE 0124160

**KX09 - 003 - 1074A**

3" x 2"

### ALUMINUM STORZ COUPLINGS



CODE 0124139

**KX08 - 002P2 - 00A**

AMERICAN THREAD



### BRAZEN STORZ COUPLINGS

CODE 0124064

**KX08 - 002I1 - 00**

1 3/4", Thread

CODE 0124115

**KX08 - 001G1 - 00**

1 3/4", Tail

CODE 0124103

**MBK07 - UT - BR2F**

2", Thread

CODE 0124102

**MBK07 - UT - BR2M**

2", Tail

CODE 0124083

**MBK07 - UT - BR212F**

2 1/2", Thread

CODE 0124090

**MBK07 - UT - BR212M**

2 1/2", Tail

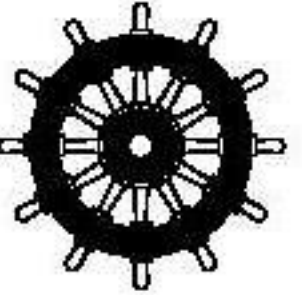




# FIRE HOSE CABINETS

## FIRE TOOL STATIONS AND RELATIVE EQUIPMENT

### JOHN MORRIS ALUMINUM COUPLING

MARINE 

Couplings, **John Morris**, in Pairs.

Manufactured  
According BS 336



CODE 0124172

**MBK07 - UT - JMR134AL**

1 3/4"

CODE 0124107

**MBK07 - UT - JMR2AL**

2"

CODE 0124108

**MBK07 - UT - JMR212AL**

2 1/2"

CODE 0124109

**MBK07 - UT - JMR212x2BSP**

MARINE 

Manufactured According BS 336

Aluminum **John Morris** Coupling - Adapter 2 1/2" Female x 2" BSP Female to Adapt on Landing Valves or Branch Pipes.



### JOHN MORRIS BRAZEN COUPLING

Couplings, **John Morris**, in Pairs.



Manufactured  
According BS 336

CODE 0124098

**MBK07 - UT - JMR2BR**

2"

MARINE 

CODE 0124099

**MBK07 - UT - JMR212BR**

2 1/2"

MARINE 



CODE 0124111

**MBK07 - UT - JMR212X212BSP - BR**

MARINE 

**John Morris** Brazen Adapter Coupling 2 1/2" Female x 2 1/2" BSP Female, to be Adjusted on Landing Valves on Branch Pipes. Manufactured According BS 336.

CODE 0124110

**MBK07 - UT - JMR212X2BSP - BR**

MARINE 

**John Morris** Brazen Adapter Coupling 2 1/2" Female x 2" BSP Female, to be Adjusted on Landing Valves on Branch Pipes. Manufactured According BS 336.



# FIRE HOSE CABINETS

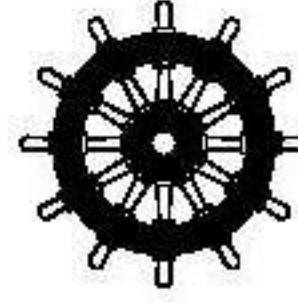
## FIRE TOOL STATIONS AND RELATIVE EQUIPMENT

### BRAZEN NAKAJIMA COUPLINGS

CODE 0124095

**MBK07 - UT - NKJ112BR**

MARINE

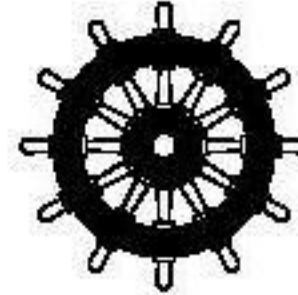


1 1/2"

CODE 0124096

**MBK07 - UT - NKJ2BR**

MARINE

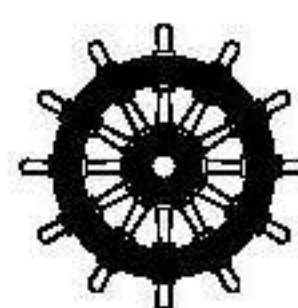


2"

CODE 0124097

**MBK07 - UT - NKJ212BR**

MARINE



2 1/2"

USE OF SPECIAL NAKAJIMA KEY TO SCREW-UNSCREW



Manufactured According to the  
French Standard NF 561 - 704

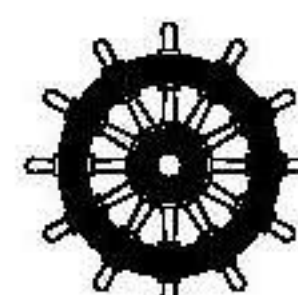
### NAKAJIMA ADAPTOR COUPLINGS

Manufactured According to the French Standard NF 561 - 704

CODE 0124116

**KX08 - 072B - 00**

MARINE

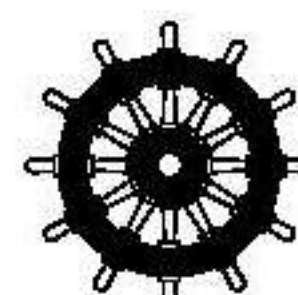


**Nakajima** Brazen Adapter Coupling 1 1/2" x 1 1/2" BSP (to be adjusted on Landing Valves on Branch Pipes).

CODE 0124112

**MBK07 - UT - NKJ2AD**

MARINE

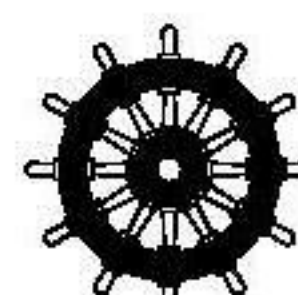


**Nakajima** Brazen Adapter Coupling 2" x 2" BSP (to be adjusted on Landing Valves on Branch Pipes).

CODE 0124113

**MBK07 - UT - NKJ212AD**

MARINE



**Nakajima** Brazen Adapter Coupling 2 1/2" x 2 1/2" BSP (to be adjusted on Landing Valves on Branch Pipes).





# FIRE HOSE CABINETS

## FIRE TOOL STATIONS AND RELATIVE EQUIPMENT

### CERTIFIED JOHN MORRIS BRAZEN COUPLING



OFFERED IN  
PAIRS

CODE 0124242

NEW

**MBK08 - 201C4 - 00**

1 1/2"

CODE 0124244

NEW

**MBK08 - 201C2 - 00**

2"

CODE 0124243

NEW

**MBK08 - 201C3 - 00**

1.75"

CODE 0124245

NEW

**MBK08 - 201C1 - 00**

2 1/2"

CODE 0124246

NEW

**MBK08 - 201C - 00**

2.75"

### CERTIFIED JOHN MORRIS BRAZEN COUPLING



CODE 0124247

NEW

**MBK08 - 201B4 - 00**

1 1/2"

CODE 0124248

NEW

**MBK08 - 201B3 - 00**

1.75"

CODE 0124249

NEW

**MBK08 - 201B2 - 00**

2"

CODE 0124250

NEW

**MBK08 - 201B1 - 00**

2 1/2"

CODE 0124251

NEW

**MBK08 - 201B - 00**

2.75"



OFFERED IN  
PAIRS



# FIRE HOSE CABINETS

## FIRE TOOL STATIONS AND RELATIVE EQUIPMENT

### CERTIFIED JOHN MORRIS ALUMINUM COUPLING



  
CODE 0124252 NEW  
**MBK08 - 201A4 - 00**  
1 1/2"

  
CODE 0124253 NEW  
**MBK08 - 201A3 - 00**  
1.75"

  
CODE 0124254 NEW  
**MBK08 - 201A2 - 00**  
2"

  
CODE 0124255 NEW  
**MBK08 - 201A1 - 00**  
2 1/2"

  
CODE 0124256 NEW  
**MBK08 - 201A - 00**  
2.75"



OFFERED IN  
PAIRS

### ALUMINUM STORZ ADAPTER FOR FIRE HOSE



CODE 0124196

**MBK14 - COUP - 2X3/4**

Aluminum Storz Adapter 2" x 3/4"  
for 3/4" Water Hose.

CODE 0124182

**KY91 - 169D - 90 - 25C**

Aluminum Storz Adapter 2" x 1" for  
1" Water Hose.



## FIRE HOSE CABINETS

### FIRE TOOL STATIONS AND RELATIVE EQUIPMENT

#### ALUMINUM STORZ BLIND COUPLINGS

Made of Pure Aluminum (not recycled),  
of High Endurance and Exceptional Shine.  
WITH **RUBBER** WHITE GASKET OF EXCELLENT QUALITY



CODE 0124017

**KX08 - 061D - 00**

1"

CODE 0124016

**KX08 - 061F - 00**

1 3/4"

CODE 0124011

**KX08 - 061C - 00**

2 1/2"

CODE 0124010

**KX08 - 061E - 00**

1 1/2"

CODE 0124018

**KX08 - 061B - 00**

2"

CODE 0124032

**MBK04 - UT - CAP3'**

3"

#### CERTIFIED ALUMINUM STORZ BLIND COUPLINGS

ACCORDING DIN 14311



CODE 0124190

**MBK13 - DIN - CAP134**

1 3/4", DIN 14311

CODE 0124117

**MBK07 - DIN - CAP2**

2", NEN 3374

CODE 0124125

**MBK07 - NEN - CAP21/2**

2 1/2"

#### BRAZEN STORZ BLIND COUPLINGS



CODE 0124104

**MBK07 - UT - CAP134BR**

1 3/4"

CODE 0124105

**MBK07 - UT - CAP2BR**

2"

CODE 0124106

**MBK07 - UT - CAP212BR**

2 1/2"



# FIRE HOSE CABINETS

## FIRE TOOL STATIONS AND RELATIVE EQUIPMENT

### HOOK WRENCHES

CODE 0134020

**KX10 - 087 - 00**

Hook Wrench for Storz Couplings 1" - 3".

CODE 0134021

**KX10 - 088 - 00**

Hook Wrench for Storz Couplings 1" - 4".

CODE 0134023

**KX10 - 090 - 00**

Big Hook Wrench for Storz Couplings 2½" - 3",  
for Hydrants and High Pressure Cylinder Cap.



CODE 0134030

**MBK07 - UT - NJSP112**

Hook Wrench for **NAKAJIMA** Couplings 1½" - .

CODE 0134031

**MBK07 - UT - NJSP2**

Hook Wrench for **NAKAJIMA** Couplings 2".

CODE 0134032

**MBK07 - UT - NJSP212**

Hook Wrench for **NAKAJIMA** Couplings 2½"





# FIRE HOSE CABINETS

## FIRE TOOL STATIONS AND RELATIVE EQUIPMENT



### WHITE RUBBER GASKET FOR COUPLING

TS 50bar

For Aluminum Storz Couplings



CODE 0120020

**KX08 - 001J - 37**

1"

CODE 0120022

**KX08 - 001G - 37**

1 3/4"

CODE 0120024

**KX08 - 001B - 37**

2 1/2"

CODE 0120050

**MBK07 - UT - RUB4"**

4"

CODE 0120021

**KX08 - 001M - 37**

1 1/2"

CODE 0120023

**KX08 - 001C - 37**

2"

CODE 0120049

**MBK07 - UT - RUB3"**

3"

### NOZZLES



CODE 0101059



NEW

**MBK15 - HRNOZZLE - 3/4**

3/4"



CODE 0101060



NEW

**MBK15 - HRNOZZLE - 1**

1"



CODE 0101011



NEW

**MBK17 - BCNOZZLE - 25**

Rotary Nozzle, with 1" BSP Thread, EN 671-1 Certified.  
Does not Include Coupling.



CODE 0101035

**MBK07 - UT - ADJ12**

1/2" 3/4"

Plastic Adjustable Nozzle for Water Hose  
1/2", 3/4" (Adjustable Inlet)



# FIRE HOSE CABINETS

## FIRE TOOL STATIONS AND RELATIVE EQUIPMENT

### BRAZEN ADJUSTABLE BRANCHPIPE



CODE 0101005  
**KX07 - 075A - 00**  
 1/2"



CODE 0101008  
**KX07 - 075 - 00**  
 3/4"

### ALUMINUM BRANCHPIPE



NOT ADJUSTABLE

CODE 0101001  
**KX07 - 061 - 00**  
 1"



NOT ADJUSTABLE

CODE 0101064  
**KY47 - 100A - 46**  
 1 3/4" - 2"  
 Aluminum nozzle, not adjustable, with coupling

### ALUMINUM ADJUSTABLE BRANCHPIPE

CODE 0101002  
**KX07 - 060 - 00**  
 1 1/2"  
 Male Thread

CODE 0101003  
**KX07 - 060A - 00**  
 1 3/4" - 2"  
 Male Thread

CODE 0101012  
**KX07 - 060B - 00**  
 2 1/2"  
 Male Thread



### ALUMINUM PLASTIC BRANCHPIPE 3 POSITIONS WITH FLOW RATE SWITCH (JET - SPRAY - STOP)

CODE 0101051  
**KX07 - 001H - 00**  
 1"  
 (Male Thread)

CODE 0101006  
**KX07 - 002H - 00**  
 1 3/4" - 2"  
 (Male Thread)

CODE 0101036  
**MBK07 - UT - ADJ212**  
 2 1/2",  
 (Male Thread)





# FIRE HOSE CABINETS

## FIRE TOOL STATIONS AND RELATIVE EQUIPMENT

### CERTIFIED 3 POSITIONS ALUMINUM BRANCHPIPE

EN15182-3



CODE 0101037

**MBK07 - Z - CUR2**

2"

CODE 0101038

**MBK07 - Z - CUR212**

2 1/2"

With Jet - Spray - Stop Flow Rate Switch, **Having The Ability To Create A Water Curtain** For User Protection From Temperature And Smoke, With Adjustable Range Curtain From 0° To 160° **(Threaded Inlet Connection)**.

### 3 POSITIONS ALUMINUM BRANCHPIPE

With Jet - Spray - Stop Flow Rate Switch, **Having The Ability To Create A Water Curtain** For User Protection From Temperature And Smoke, With Adjustable Range Curtain From 0° To 160° (Male Threaded Inlet Connection).



CODE 0101034

**MBK07 - UT - CUR112**

1 1/2"  
(male thread)

CODE 0101007

**KX07 - 033A - 00**

2"  
(male thread)

CODE 0101000

**KX07 - 033A1 - 00**

2 1/2"  
(male thread)

### CERTIFIED ALUMINUM- PLASTIC BRANCHPIPE

With Jet - Spray - Stop Flow Rate Switch. Including Male Bs John Morris Coupling. **Certified By Lpcb According En 15182 Standards.**



LPCB Cert ref. 1153Ac



CODE 0101079

NEW

**MBK07 - 127E - 00**

DN65 BS336

CODE 0101086

NEW

**MBK07 - 108B - 00**

DN45 M56x4

CODE 0101087

NEW

**MBK07 - 108D - 00**

DN50 2" BSP

CODE 0101088

NEW

**MBK07 - 107B - 00**

DN70 M85x6

CODE 0101089

NEW

**MBK07 - 107D - 00**

DN65 2.5" BSP



## CERTIFIED ALUMINUM BRANCHPIPE

## FIRE HOSE CABINETS FIRE TOOL STATIONS AND RELATIVE EQUIPMENT



CODE 0101078

NEW

**MBK07 - 127F - 00**

DN65 BS336

CODE 0101090

NEW

**MBK07 - 108C - 00**

DN50 2" BSP

CODE 0101091

NEW

**MBK07 - 108A - 00**

DN45 M56x4

CODE 0101092

NEW

**MBK07 - 107C - 00**

DN65 2.5" BSP

CODE 0101093

NEW

**MBK07 - 107A - 00**

DN70 M85x6



With Jet - Spray - Stop Flow Rate Switch. Including Male Bs John Morris Coupling.  
Certified By Lpcb According En 15182 Standards.

## TURBOJET NOZZLES

CODE 0101042

**KX07 - 048C1 - 00 - STORZ** 2 1/2"

2 1/2" Turbojet Nozzles, with 4 Position Adjustable Water Beam and Lever for Adjusting Flow Rate. 463Lt/min at 7bar.  
Aluminum Storz Coupling Included.



CODE 0101030

**KX07 - 048F - 00** 2 1/2"

2 1/2" Turbojet Nozzles, with 4 Position Adjustable Water Beam and Lever for Adjusting Flow Rate. 514Lt/min at 7bar.  
Aluminum John Morris Coupling Included.



CODE 0101029

**KX07 - 048M - 00 - NAKAJIMA** 1 1/2" - 2"

2 1/2" Turbojet Nozzles, with 4 Position Adjustable Water Beam and Lever for Adjusting Flow Rate. 463Lt/min at 7bar.  
Aluminum NAKAJIMA Coupling Included.





## WATER MIST TURBOJET NOZZLES



CODE 0101068

### MBK15 - WMTURBO - 28 - 1

**Water Mist Nozzle, Turbojet type 1", with Storz Coupling.**  
Flow Rate **28lt/min at 10bar.**  
**Suggested for fires in low vegetation.**  
**Average droplet diameter 55-110m.**  
**Coupling Included.**

[Turbojet](#)



CODE 0101069

### MBK15 - WMTURBO - 47 - 1

**Water Mist Nozzle, Turbojet Type 1", with Storz Coupling.**  
Flow Rate **47lt/min at 10bar. Suggested for Fire Fighting Vehicles.**  
**Average Droplet Diameter 55-120m.**  
**Coupling Included.**

[Turbojet](#)



CODE 0101070

### MBK15 - WMTURBO - 100 - 1

**Water Mist Nozzle, Turbojet type 1", with Storz Coupling.**  
Flow Rate **100lt/min at 10bar.**  
**Average Droplet Diameter 55-120m.**  
**Coupling Included**

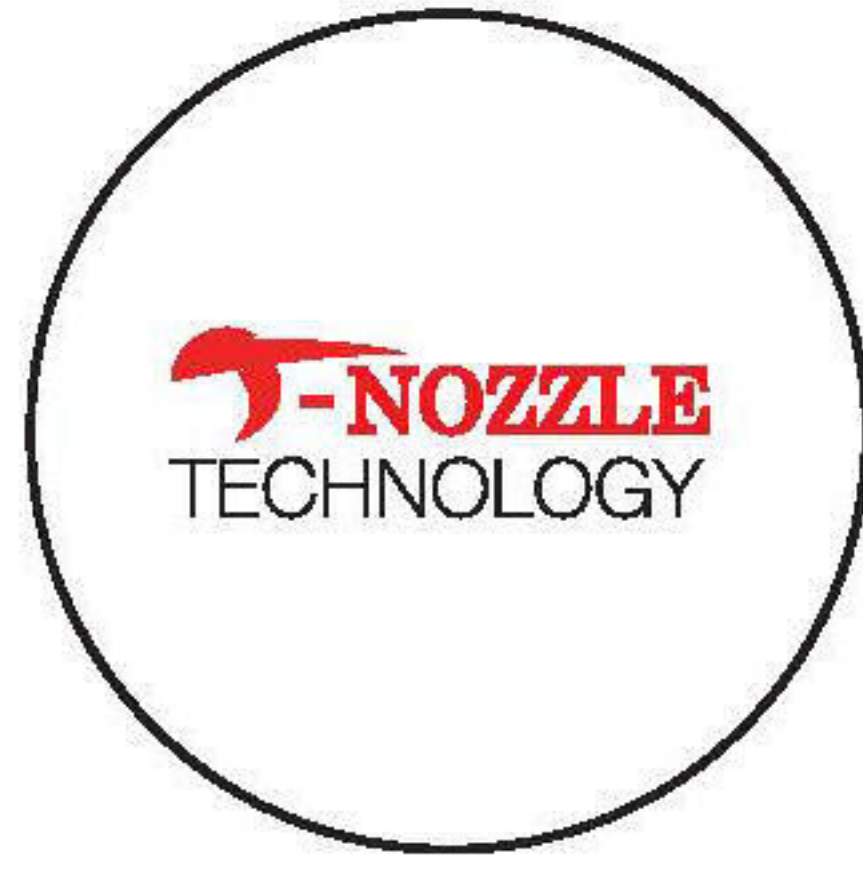
[Turbojet](#)



# FIRE HOSE CABINETS

## FIRE TOOL STATIONS AND RELATIVE EQUIPMENT

### WATER MIST NOZZLE TURBOJET TYPE



CODE 0101071

#### MBK15 - WMTURBO - 51 - 1

**Water Mist Nozzle**, Turbojet type **1"**, with Extension and Storz Coupling.  
Flow Rate **92lt/min at 10bar**. Suggested for Use **Through Wall or Floor Openings in Cases that Approaching Areas with Fire is Difficult**.  
**Average Droplet Diameter 55-110 [mm]**.  
Coupling Included

Turbojet



### WATER MIST CURTAIN

CODE 0101072

#### MBK15 - WMCOURTAIN - 2

**Water Mist Nozzle 2"** for creating Water curtain, with storz coupling.  
Flow rate **350lt/min at 8bar**. Suggested for **fires in low vegetation**.  
**Average droplet diameter 120-200 [mm]**.  
**Curtain diameter: 17m**.  
Coupling Included.



### BRASS DIFUSSER NOZZLE

Adjustable Water Beam and Adjustable Water Flow Lever.

CODE 0101026

#### MBK07 - UT - DIF112

1 1/2"

CODE 0101027

#### MBK07 - UT - DIF2

2"

CODE 0101028

#### MBK07 - UT - DIF212

2 1/2"





# FIRE HOSE CABINETS

## FIRE TOOL STATIONS AND RELATIVE EQUIPMENT

### PLASTIC NOZZLE

Suitable for Change of a Simple Nozzle to Adjustable Type



CODE 0119121

**KX07 - 016 - 00**



CODE 0101004

**KX07 - 036 - 00**

With Female Thread 1".  
Comes with a Male Systolic Coupling.



CODE 0119127

**KX07 - 016A1 - 00**

Storz 2" Coupling Included

### L - TYPE NOZZLE

Manufactured According to DIN 30



CODE 0101033

**KX07 - 110A - 00**

2" Adjustable Flow Switch and Water Curtain Option for  
Additional Protection of User from Heat.  
**Length 180cm.**

### GUN TYPE NOZZLE

*Exclusive!*



**Gun Type** Nozzle with Built-In Soap Capsule (Refillable) for Fire Extinguishing. The Dissolving Soap Allow Water to Infiltrate Porous Materials such as Wood, Fabric, Natural or Synthetic Fibers, etc. The Created Foam Layer Prevents the Entrance of the Oxygen, Increasing Efficiency of Fire Suppression. It is Also Suitable for Cleaning Machines, Vehicles, Pavements etc from Oils.

**The Extinguishing Fluid Mixture does not Pollute and Complies with the Requirements of European Legislation**

CODE 0101041

**MBK07 - A - FIRE - EX**



# FIRE HOSE CABINETS

## FIRE TOOL STATIONS AND RELATIVE EQUIPMENT

### CERTIFIED ANGLE LANDING VALVES

Brass Type

**DIN**

*Exclusive!*



CODE 0125012

**MBK07 - Z - LD2**

1 3/4" - 2", DIN 14461-3  
Part 3 - EN671

CODE 0125013

**MBK07 - Z - LD212**

2 1/2", DIN 14461-3  
Part 3 - EN671



CODE 0125034

**MBK281 - 112**

1 1/2", UL FM

CODE 0125033

**MBK281 - 212**

2 1/2", UL FM



### BRASS ANGLE LANDING VALVE

with 3.5 Turns Hinge

CODE 0125001

**KX06 - 073 - 00**

1 1/2"



CODE 0125002

**KX06 - 073A - 00**

1 3/4" - 2"



CODE 0125003

**KX06 - 073C - 00**

2 1/2"



CODE 0124183

**MBK13 - VALVE - ADAPTOR**

2" x 2"

Landing Valve Position Adapter.  
Coupling 2"x2" (female - female)



### ALUMINUM ANGLE VALVE



CODE 0125021

**KX06 - 046 - 00**

1 1/2"

CODE 0125022

**KX06 - 046B - 00**

1 3/4" - 2"

CODE 0125023

**KX06 - 046C - 00**

2 1/2"

### SPARE HINGE FOR LANDING VALVES



CODE 0125028

**MBK13 - HINGE - 112**

1 1/2"

CODE 0125006

**KX06 - 073A - 43**

2" - 2 1/2"



# FIRE HOSE CABINETS

## FIRE TOOL STATIONS AND RELATIVE EQUIPMENT

### CERTIFIED ANGLE LANDING VALVES

#### Copper Alloy Gate Valves



Product Code	Size	H(mm)	W(mm)	Inlet	Outlet	Operation
MBK06-043A1-00	DN25	118	60	1"BSPT	1"BSPT	Handwheel
MBK06-043A-00	DN25	140	65	1"BSPT	1"BSPT	Lockshield



LPCB ref. No1153Ab

#### Low Pressure Landing Valves For Dry Risers



Product Code	Size	H(mm)	W(mm)	Inlet	Outlet
MBK06-201A-00	DN65	255	160	2.5"BSPT	BS336
MBK06-201B-00	DN65	255	140	2.5"BSP(F)	BS336



LPCB ref. No1153Ae

#### LP Landing Valves Oblique Type For Wet Risers



Product Code	Size	H(mm)	W(mm)	Inlet	Outlet
MBK06-198A-00	DN50	210	225	165mm	BS336
MBK06-198A1-00	DN65	210	235	185mm	BS336
MBK06-198B-00	DN65	220	215	2.5"BSPT	BS336
MBK06-198B1-00	DN65	215	215	2.5"BSP(F)	BS336



LPCB ref. No1153Ae

#### LP Landing Valves Right - Angle Type For Wet Risers



Product Code	Size	H(mm)	W(mm)	Inlet	Outlet
MBK06-198C-00	DN50	195	210	165mm	BS336
MBK06-198C1-00	DN65	195	220	185mm	BS336
MBK06-198D1-00	DN65	205	200	2.5"BSPT	BS336



LPCB ref. No1153Ae



# FIRE HOSE CABINETS

## FIRE TOOL STATIONS AND RELATIVE EQUIPMENT

### CERTIFIED ANGLE LANDING VALVES

#### Pressure Regulating Valves Bib - Nosed Type For Wet Risers



Product Code	Size	H(mm)	W(mm)	Inlet	Outlet
MBK06-199A-00	DN50	380	220	165mm	BS336
MBK06-199A1-00	DN65	380	220	185mm	BS336
MBK06-199B-00	DN65	380	260	2.5"BSPT	BS336



LPCB ref. No1153Ae

#### LP Landing Valves Horizontal Type For Wet Risers



Product Code	Size	H(mm)	W(mm)	Inlet	Outlet
MBK06-200B-00	DN50	250	190	165mm	BS336
MBK06-200B1-00	DN65	260	190	185mm	BS336
MBK06-200A1-00	DN65	220	200	2.5"BSPT	BS336



LPCB ref. No1153Ae

#### LP Landing Valves Bib - Nosed Type For Wet Risers



Product Code	Size	H(mm)	W(mm)	Inlet	Outlet
MBK06-200D-00	DN50	250	240	165mm	BS336
MBK06-200D1-00	DN65	260	240	185mm	BS336
MBK06-200C1-00	DN65	240	250	2.5"BSPT	BS336



LPCB ref. No1153Ae



# FIRE HOSE CABINETS

## FIRE TOOL STATIONS AND RELATIVE EQUIPMENT

### HYDRANT PILLAR

Hydrant Pillar with two outlets  $2\frac{1}{2}$ " BSP male, with Built - in Flow Adjustment Mechanism.

Red Color RAL3000.

CE 89/106/EEC (EN 14384:2005)



CODE 0125007

**MBK05 - BA - 0554**

HEIGHT: 1m

INLET: 3"

OUTLET:  $2 \times 2\frac{1}{2}$ "

Couplings are Included.

CE 89/106/EEC (EN 14384:2005)

CODE 0125008

**MBK05 - BA - 0558**

HEIGHT: 1m

INLET: 4"

OUTLET:  $2 \times 2\frac{1}{2}$ "

Couplings are Included.



Upon Request we Can Provide you Wrench  
According UNI EN 14384

### SEALING RUBBER GASKET FOR HYDRANT PILLARS

CODE 0120074

**MBK07 - EL - RB3''**

3"

CODE 0120075

**MBK07 - EL - RB4''**

4"

### SEALING RUBBER GASKETS FOR LANDING VALVES

CODE 0120067

**MBK07 - UN - LV112**

$1\frac{1}{2}$ "

CODE 0120054

**MBK07 - UN - LV2**

2"

CODE 0120053

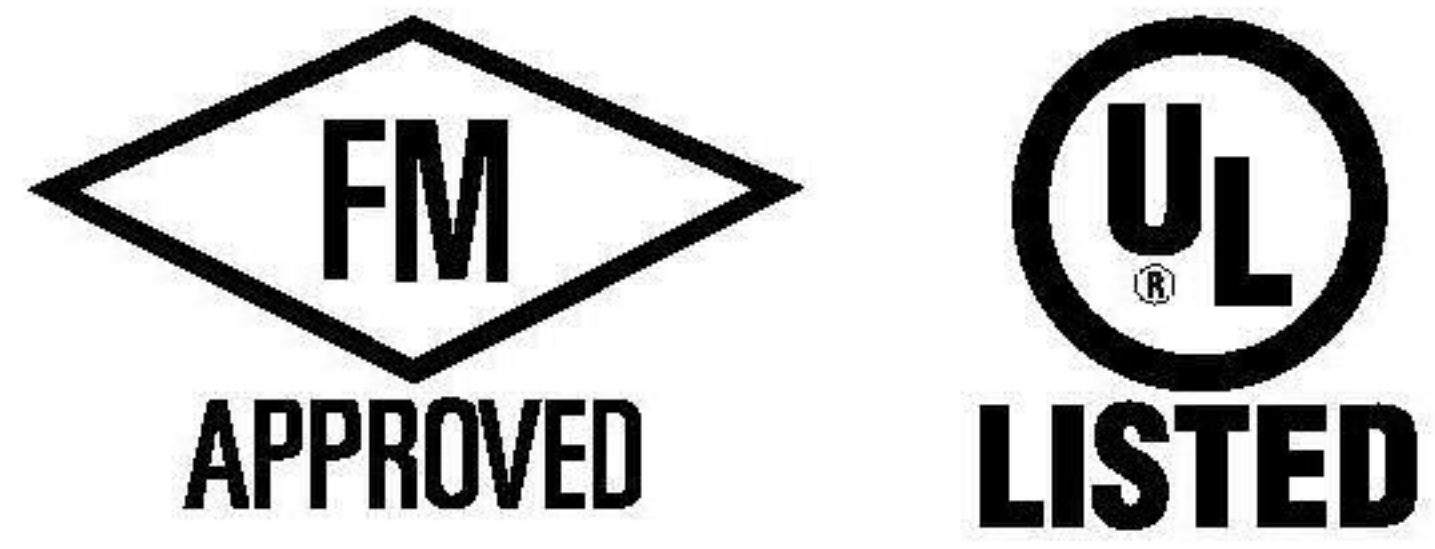
**MBK07 - UN - LV212**

$2\frac{1}{2}$ "



# FIRE HOSE CABINETS

## FIRE TOOL STATIONS AND RELATIVE EQUIPMENT



CODE 0125069



**MBK17 - QSCZG**

**WALL TYPE INDICATOR POST**



CODE 0125068



**MBK17 - ZSQ**

**VERTICAL TYPE INDICATOR POST**

Available Sizes: 4", 5", 6", 8", 10", 12"



CODE 0125045



**MBK17 - MH - 1510FA**

**DRY BARREL FIRE HYDRANT**

Available Sizes: 3'-6", 4', 4'-6", 5", 5'-6", 6", 6'-6"

**Technical Specifications:**

- Design Standard: AWWA C502
- Nominal Pressure: 250PSI
- One Pumper Nozzle, 4.5-4NH thread.  
Two Hose Nozzles, 2.5-7.5NH threads.  
Other Kinds of Threads are Available
- Flange Connector: ASME B16.5 CLASS150/DIN2501 PN16



CODE 0125067



**MBK17 - MH - 1510A**

**DRY BARREL FIRE HYDRANT**

Available Sizes: 3'-6", 4', 4'-6", 5", 5'-6", 6", 6'-6"

**Technical Specifications:**

- Design Standard: AWWA C502
- Nominal Pressure: 250PSI
- One Pumper Nozzle, 4.5-4NH thread.  
Two Hose Nozzles, 2.5-7.5NH threads.  
Other Kinds of Threads are Available
- Mechanical Connector: AWWA/ANSI C153/A21.53 6"

## HYDRANT WRENCH



CODE 0126034

**KX10 - 118A - 00**

Hydrant Pillar Wrench **1"x 4"**.



CODE 0134052

**MBK15 - TKEY - 1100**

Underground Hydrant Pillar  
(Height 1.1m) Wrench

CODE 0134053

**MBK15 - TKEY - 750**

Underground Hydrant Pillar  
(Height 0.75m) Wrench



# FIRE HOSE CABINETS

## FIRE TOOL STATIONS AND RELATIVE EQUIPMENT



CODE 0107006

**KX08 - 175B - 00**

### INLET BREECING WITH COLUMN

Inlet **2 1/2" Male BSP**

#### INLET 2 1/2" BSP MALE

Inlet Breaching Hydrant Connected Directly to Water Supply, with Hinged Flow Switches on Both Outlets. Outlet 2" BSP Male Thread.

**1 Way BS336**

**2 Way BS336**

**Manufactured According DIN 3221**

## JOHN MORRIS TYPE STAND PIPES



CODE 0125070

**NEW**

**MBK08 - 058 - 00**

Single Outlet BS336



CODE 0125071

**NEW**

**MBK08 - 059 - 00**

Double Outlet BS336



# FIRE HOSE CABINETS

## FIRE TOOL STATIONS AND RELATIVE EQUIPMENT

### 2 & 4 WAY BREECHING INLET JOHN MORRIS



CODE 0107019 **NEW**  
**MBK08 - 202 - 00**  
 DN100



CODE 0107020 **NEW**  
**MBK08 - 203 - 00**  
 DN150



### BREACHING INLET CABINETS

**MBK17 - 144D - 00**



**MBK17 - 144D - 00 - E**



**MBK17 - 144E - 00**



**MBK17 - 144E - 00 - E**



Product Code	Type		Length(mm)	Height (mm)	Depth (mm)
MBK17 - 144D - 00	1.2-Way Breaching Inlet	Mild Steel	595	395	295
MBK17 - 144D - 00 - E	2.4-Way Breaching Inlet	Stainless Steel	595	595	295
MBK17 - 144E - 00	3.2-Way Breaching Inlet	Mild Steel	595	395	295
MBK17 - 144E - 00 - E	4.4-Way Breaching Inlet	Stainless Steel	595	595	295

### SIAMESE CONNECTOR

With Inlets **2 x 2 1/2"** BSP

CODE 0107000  
**KX08 - 077A - 00**  
 Outlet **3"**

CODE 0107001  
**KX08 - 077 - 00**  
 Outlet **4"**





# FIRE HOSE CABINETS

## FIRE TOOL STATIONS AND RELATIVE EQUIPMENT

NON - RETURN VALVE  
TO BE FITTED TO SIAMESE CONNECTOR

*Exclusive!*

CODE 0108009

**MBK07 - UT - NRV3**

**3"**, Brazen Disc and Axis for  
Setting Flow Direction



CODE 0108010

**MBK07 - UT - NRV4**

**4"**, Brazen Disc and Axis for  
Setting Flow Direction



### FOAM NOZZLE WITH INTEGRATED MIXER



CODE 0103015

**KX07 - 103A - 00**

**2"**, **Aluminum**, Low Expansion 200Lt/min, with Foam  
Suction Hose. Suitable for 3% Foam.

### 2" ALUMINUM FOAM - WATER MIXER



CODE 0103018

**KX07 - 122A - 00**

**2"** FOAM - WATER (Max. Flow Rate: 400 Lt / Min)

### 2" FOAM - WATER MIXER



CODE 0103021

**MBK19 - FOAMIXER - 200**

**2"** FOAM - WATER (Max. Flow Rate: 200 Lt / Min)



NEW



## FIRE HOSE CABINETS FIRE TOOL STATIONS AND RELATIVE EQUIPMENT

### ALUMINUM FOAM NOZZLE

Aluminum Discharge Foam Nozzle 2" (BSP Male Thread), for Foam - Water Mixer, with Flow Switch and Lever (Max. Flow Rate: 215Lt/min at 5bar). Holes at the Lower Part of the Nozzle Serve for Air Feed thus Achieving Better Foam-Water Mixture.

2" Female Coupling is NOT included. To be Adjusted to Foam - Water Mixer  
KX07- 122A-00

CODE 0101013

KX07 - 010Z1 - 00



### FOAM SUCTION HOSE WITH FILTER

CODE 0102183

KX07 - 122A - 49 - 00

Foam Suction Hose 1"x1,5m.

Hose to be Fitted to Foam - Water Mixer  
KX07-122A-00



### FOAM SUCTION HOSE WITH FILTER

CODE 0102053



MBK19 - SUCTIONHOSE - 1

Foam Suction Hose 1" & STORZ 1"

Hose to be Fitted to Foam - Water Mixer  
MBK19 - FOAMIXER - 200





## SPARE PARTS FOR WATER SYSTEMS



## FIRE HOSE CABINETS FIRE TOOL STATIONS AND RELATIVE EQUIPMENT

CODE 0125072

### MBK19-WET-ALARM-VALVE-4

4" Wet Alarm Valve Set with Trim

CODE 0125073

### MBK19-WET-ALARM-VALVE-6

6" Wet Alarm Valve Set with Trim

## CONTROL - ALARM VALVE LIQUID TYPE SPRINKLER

The Sprinkler Liquid Pressure Control Valve is Essentially a Mechanism which Allows for the Installation of Sprinkler Water Networks.

The Water Supply Network is Connected to Water Supply and Contains Water under Pressure on the Pipes throughout its Length (up to the Sprinklers).

When any Sprinkler on the Network is turned on, then the Valve Opens of the Valve and the Water flows to the Time Delay Chamber.

When the Time Delay Chamber is filled with Water, the Water flows Towards it Hydrocodone while Pressure Switch announces Alarm Signal.

At the Same Time the Water Flows and Splashes only from the Sprinkler it has Activated



CODE 0125074

### MBK19-WET-MOTOR-GONG

## CONTROL VALVE ALARM LIQUID TYPE SPRINKLER



## SPARE PARTS FOR WATER SYSTEMS



### MBK17 - WD - 371X

#### WAFFER TYPE BUTTERFLY VALVE

Available on Sizes: 2", 2 1/2", 3", 4", 5", 6", 8", 10", 12"

##### Technical Specifications:

- Maximum Working Pressure: 300PSI (Max. Test Pressure: 600PSI)
- Maximum Working Temperature: 250°F (120°C)
- Application: Indoor and Outdoor Use
- Double-Seal Disc: Resilient EPDM Coated
- Factory Installed Supervisory Tamper Switch Assembly

Design Standard: API609

Groove Standard: ANSI/AWWA C606

Top flange Standard: ISO5211

Test Standard



2" 0119258

2 1/2" 0119362

3" 0119363

4" 0119240

5" 0119364

6" 0119250

8" 0119365

10" 0119414

12" 0119415



### MBK17 - GD - 381X

#### GROOVED TYPE BUTTERFLY VALVE

Available on Sizes: 2", 2 1/2", 3", 4", 5", 6", 8", 10", 12"

##### Technical Specifications:

- Maximum Working Pressure: 300PSI (Max. Test Pressure: 600PSI)
- Maximum Working Temperature: 250 °F (120°C)
- Application: Indoor and Outdoor Use
- Double-Seal Disc: Resilient EPDM Coated
- Factory Installed Supervisory Tamper Switch Assembly
- Design Standard: AWWA C515
- Nominal Pressure: 200PSI
- Flange Standard: ASME/ANSI B16.1 Class 125 or ASME/ANSI B16.42 Class 150 or BS EN1092-2 PN16 or GB/T9113.1
- Epoxy resin coating both inside & outside the body Carried Standard

Design Standard: API609

Groove Standard: ANSI/AWWA C606

Top flange Standard: ISO5211

Test Standard



2" 0119366

2 1/2" 0119323

3" 0119367

4" 0119368

5" 0119369

6" 0119324

8" 0119370

10" 0119416

12" 0119417



### MBK17 - Z41

#### GROOVED TYPE OS&Y GATE VALVE WP: 200PSI

Available on Sizes: 2", 2 1/2", 3", 4", 5", 6", 8", 10", 12"

##### Technical Specifications:

- Technical Specifications:
- Design Standard: AWWA C515
- Nominal Pressure: 200PSI
- Flange Standard: ASME/ANSI B16.1 Class 125 or ASME/ANSI B16.42 Class 150 or BS EN1092-2 PN16 or GB/T9113.1
- Epoxy resin coating both inside & outside the body

2" 0125052

2 1/2" 0119325

3" 0125055

4" 0125053

5" 0119418

6" 0125054

8" 0119419

10" 0119420

12" 0119421



### MBK17 - Z81

#### GROOVED TYPE OS&Y GATE VALVE WP: 200PSI

Available on Sizes: 2", 2 1/2", 3", 4", 5", 6", 8", 10", 12"

##### Technical Specifications:

- Technical Specifications:
- Design Standard: AWWA C515
- Nominal Pressure: 200PSI
- Groove Standard: Metric or AWWA C606
- Epoxy resin coating both inside & outside the body

2" 0119422

2 1/2" 0119326

3" 0119423

4" 0125056

5" 0119424

6" 0125057

8" 0119425

10" 0119426

12" 0119427





# FIRE HOSE CABINETS

## FIRE TOOL STATIONS AND RELATIVE EQUIPMENT

### SPARE PARTS FOR WATER SYSTEMS



NEW

**MBK17 - Z481**

#### GROOVED X FLANGED TYPE OS&Y GATE VALVE - WP: 200PSI

Available on Sizes: 2", 2½", 3", 4", 5", 6", 8", 10", 12"

##### Technical Specifications:

- Design Standard: AWWA C515
- Nominal Pressure: 200PSI
- Flange Standard: ASME/ANSI B16.1 Class 125 or ASME/ANSI B16.42 Class 150 or BS EN1092-2 PN16 or GB/T9113.1
- Groove Standard: Metric or AWWA C606
- Epoxy resin coating both inside & outside the body



NEW

**MBK17 - Z41 - 300**

#### FLANGED TYPE OS&Y GATE VALVE WP: 300PSI

Available on Sizes: 2½", 3", 4", 5", 6", 8", 10", 12"

##### Technical Specifications:

- Design Standard: AWWA C515
- Nominal Pressure: 300PSI
- Flange Standard: ASME/ANSI B16.1 Class 125 or ASME/ANSI B16.42 Class 150 or BS EN1092-2 PN16 or GB/T9113.1
- Epoxy resin coating both inside & outside the body



2½" 0119429

3" 0119430

4" 0125065

5" 0119431

6" 0119432

8" 0119433

10" 0119434

12" 0119435



NEW

**MBK17 - Z85**

#### GROOVED TYPE NRS GATE VALVE WP: 200PSI

Available on Sizes: 2", 2½", 3", 4", 5", 6", 8", 10", 12"

##### Technical Specifications:

- Design Standard: AWWA C515
- Nominal Pressure: 200PSI
- Groove Standard: Metric or AWWA C606
- Epoxy resin coating both inside & outside the body
- It could also be operated by the handwheel

2" 0119436

2 1/2" 0119437

3" 0119438

4" 0125061

5" 0119439

6" 0125062

8" 0125063

10" 0119440

12" 0119441



NEW

**MBK17 - Z485**

#### GROOVED X FLANGED TYPE NRS GATE VALVE - WP: 200PSI

Available on Sizes: 2", 2½", 3", 4", 5", 6", 8", 10", 12"

##### Technical Specifications:

- Design Standard: AWWA C515
- Nominal Pressure: 200PSI
- Flange Standard: ASME/ANSI B16.1 Class 125 or ASME/ANSI B16.42 Class 150 or BS EN1092-2 PN16 or GB/T9113.1
- Groove Standard: Metric or AWWA C606
- Epoxy resin coating both inside & outside the body
- It could also be operated by the handwheel





# FIRE HOSE CABINETS

## FIRE TOOL STATIONS AND RELATIVE EQUIPMENT

### SPARE PARTS FOR WATER SYSTEMS



**MBK17 - Z45 - 300**

**FLANGED TYPE NRS GATE VALVE  
WP: 300PSI**

Available on Sizes: 2½", 3", 4", 5", 6", 8", 10", 12"

**Technical Specifications:**

- Design Standard: AWWA C515
- Nominal Pressure: 300PSI
- Flange Standard: ASME/ANSI B16.1 Class 125 or ASME/ANSI B16.42 Class 150 or BS EN1092-2 PN16 or GB/T9113.1
- Epoxy resin coating both inside & outside the body
- It could be operated by the handwheel



**MBK17 - Z45**

**FLANGED TYPE NRS GATE VALVE  
WP: 200PSI**

Available on Sizes: 2", 2½", 3", 4", 5", 6", 8", 10", 12"

**Technical Specifications:**

- Design Standard: AWWA C515
- Nominal Pressure: 200PSI
- Flange Standard: ASME/ANSI B16.1 Class 125 or ASME/ANSI B16.42 Class 150 or BS EN1092-2 PN16 or GB/T9113.1
- Epoxy resin coating both inside & outside the body
- It could be operated by the handwheel

2"	0119442
2 1/2"	0119443
3"	0119445
4"	0125058
5"	0119444
6"	0125059
8"	0125060
10"	0119446
12"	0119447



**MBK17 - MH - XQH - 300**

**FLANGED TYPE SWING CHECK VALVE  
WP: 300PSI**

Available on Sizes: 2", 2½", 3", 4", 5", 6", 8", 10", 12"

**Technical Specifications:**

- Design Standard: AWWA C508
- Nominal Pressure: 300PSI
- Flange Standard: ASME/ANSI B16.1 Class 125 or ASME/ANSI B16.42 Class 150 or BS EN1092-2 PN16 or GB/T9113.1
- Epoxy resin coating both inside & outside the body

2"	0119353
2 1/2"	0119354
3"	0119355
4"	0119356
5"	0119448
6"	0119357
8"	0119449
10"	0119450
12"	0119451



**MBK17 - MH - XQH - 350G**

**GROOVED TYPE SWING CHECK VALVE - WP: 350PSI**

Available on Sizes: 2", 2.5", 3", 4", 5", 6", 8"

**Technical Specifications:**

- Installed in both horizontal or vertical line with upward flow
- Easier and faster to maintain and install

2"	0119358
2 1/2"	0119327
3"	0119359
4"	0119360
5"	0119452
6"	0119361
8"	0119453



**MBK17 - MH - XQH - 350F**

**GROOVED X FLANGED TYPE SWING CHECK VALVE - WP: 350PSI**

Available on Sizes: 2", 2.5", 3", 4", 5", 6", 8"

**Technical Specifications:**

- Installed in both horizontal or vertical line with upward flow
- Easier and faster to maintain and install





# FIRE HOSE CABINETS

## FIRE TOOL STATIONS AND RELATIVE EQUIPMENT

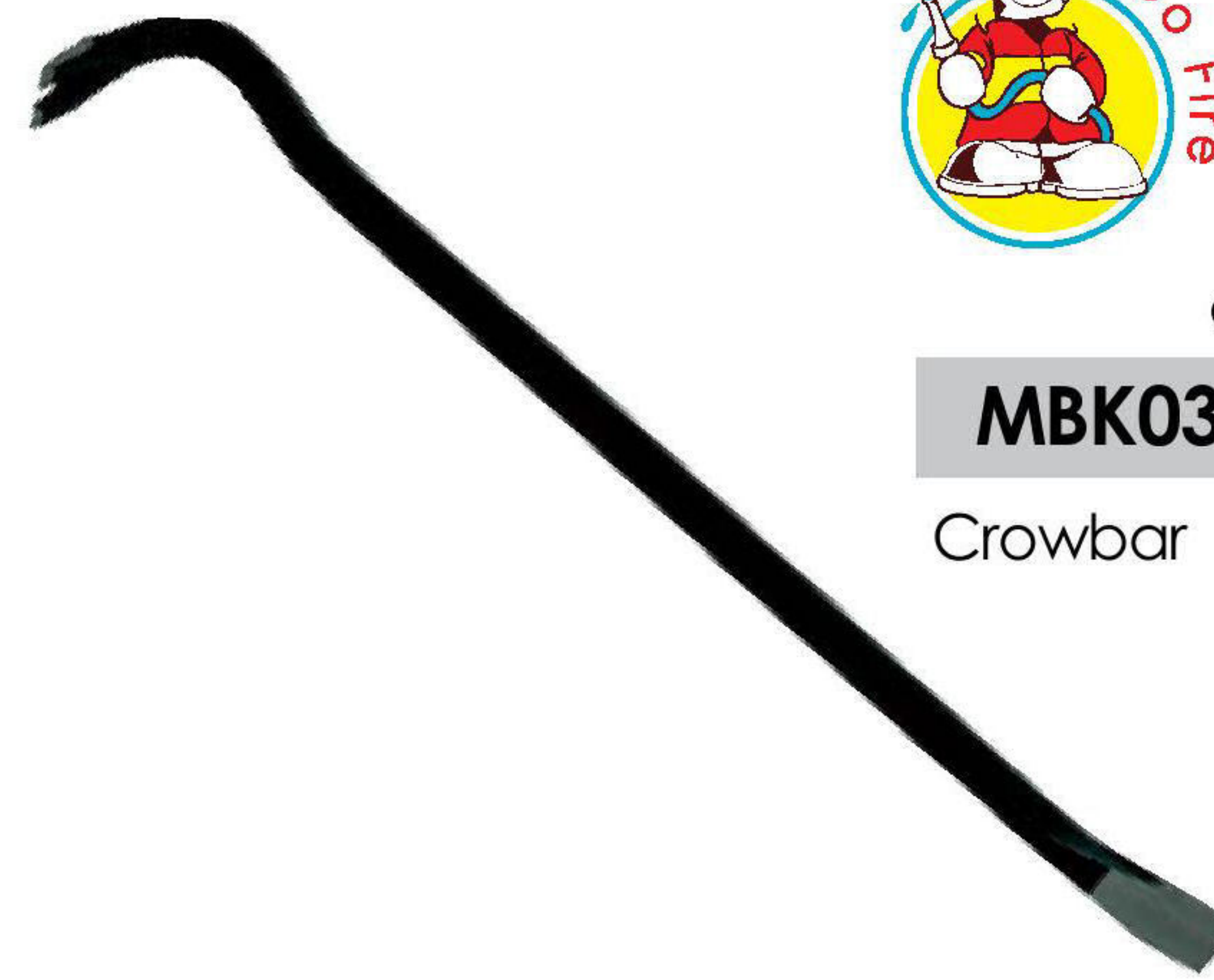
### TOOL FOR FIRE STATIONS



CODE 0131010

**MBK03 - 200 - 05**

Mattock



CODE 0131000

**MBK03 - 200 - 01**

Crowbar



CODE 0131001

**MBK03 - 200 - 02**

Adz



CODE 0131002

**MBK04 - 200 - 07**

Axe



CODE 0131065

**MBK14 - SEVENXONE - TOOL**

**Folded Multitool.**

Includes Axe, Hoe, Rake, Shovel, Spade, Crowbar And Mattock.



# FIRE HOSE CABINETS

## FIRE TOOL STATIONS AND RELATIVE EQUIPMENT



CODE 0131013

**MBK04 - 200 - 06**

Folded Spade



CODE 0131043

**KX10 - 272 - 00**

**Flashlight**

(does NOT include batteries,  
2 batteries needed to operate)



CODE 0131053

**KX10 - 326 - 00**

Fire Extinguishing Broom, Length **2m**  
with **Metal Plate**



CODE 0131062

**MBK13 - SWATTER**

Fire Extinguishing Broom, Length  
**2m** with **Incombustible Rubber Plate**



CODE 0131017

**MBK03 - SE1711R**

**CE EN397**



# FIRE HOSE CABINETS

## FIRE TOOL STATIONS AND RELATIVE EQUIPMENT

### SAND BUCKETS



CODE 0131081

**MBK18 - SAND - 10**

Wall Sand Bucket 8lt Rectangular,  
Heavy Duty.  
Wall bracket is included.



CODE 0131051

**KX - TH07 - 02 - 00**

10 Lt



CODE 0131077

**MBK17 - SAND108 - PL**

**108 Lt**  
Plastic Sand Bucket with Spade  
108 Lt  
Height: **650mm** Length: **500mm**  
Depth: **570mm**  
Weight: **6,3Kg**



### SPECIAL SAND BUCKET WITH FIREPROOF COATING

SUITABLE FOR PETROL STATIONS, INDUSTRIES, MILITARY CAMPS ETC.

CODE 0131069

**MBK15 - SAND - 50**

50 Lt  
Height: **490mm**, Length: **500mm**  
Depth: **380mm**



CODE 0131014

**KX06 - 167A - 00**

100 Lt  
Height: **440mm**, Length: **750mm**  
Depth: **450mm**



CODE 0131054

**KX06 - 167B - 00**

150 Lt  
Height: **500mm**, Length: **800mm**  
Depth: **500mm**



CODE 0131082

NEW

**MBK18 - SAND - 100**

Assembled Sand Bucket 100Lt!



CODE 0131061

**MBK12 - SAND - TROLLEY**

Trolley Sand Bucket 100lt





# FIRE HOSE CABINETS

## FIRE TOOL STATIONS AND RELATIVE EQUIPMENT

### HALF FACE MASKS

HALF FACE MASK (RUBBER) FOR TOOL STATIONS

CODE 0106000

**MBK03 - SE1570**

**One Filter Mask** (type MBK05-SE153B)  
(filter included).



CODE 0106017

**MBK05 - SE153B**

Single Filter Suitable For Dust, Humidity  
and Smoke (Fits the mask above).



CODE 0106001

**MBK03 - SE1540**

**Two Filter Mask** (type MBK05-SE156C)  
(filters NOT included).



CODE 0106018

**MBK05 - SE156C**

Single Filter Suitable For Dust, Humidity And Smoke  
(Fits the Above Mask).





## CERTIFIED HALF FACE MASK

# FIRE HOSE CABINETS FIRE TOOL STATIONS AND RELATIVE EQUIPMENT



CODE 0106002

**MBK03 - TP2000 - R**

Rubber Made

**Two Filter Half Face Mask** (filters are not included).

Dir EC/89/686 EN140: 98 - CE426



CODE 0106003

**MBK03 - TP2000 - S**

Silicon Made

**Two Filter Half Face Mask** (filters are not included).

Dir EC/89/686 EN140: 98 - CE426



CODE 0106006

**MBK03 - A2**

Filter Suitable for Organic Gases and Vapors  
For Above type of Masks.



CODE 0106025

**MBK07 - BL - P3**

Filter for Dust, Humidity, Smoke, Aerosol  
etc. For Above type of Masks.

FILTERS CERTIFIED ACCORDING 89/686/EEC AND EN 143:2000



# FIRE HOSE CABINETS

## FIRE TOOL STATIONS AND RELATIVE EQUIPMENT

### FULL FACE MASK



CODE 0106011

#### MBK03 - SGE150

Rubber Made

**One Filter** Full Face Mask  
(type MBK03-A1F or MBK03-P3  
Filter Not Included).

Dir EC/89/686 EN140  
**EN 136/98**

CODE 0106004

#### MBK03 - SGE400

Silicon Made

(Filter not included).

Dir EC/89/686 EN140

BROWN - A



Organic gases and vapors  
(boiling point > 65°C)

GREEN - K



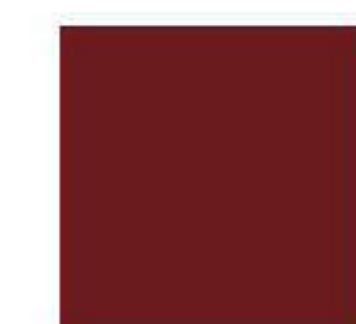
Ammonia and ammonium  
derivatives

GREY - B



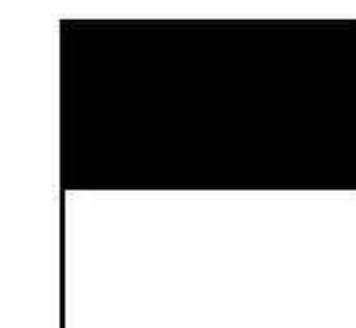
Inorganic gases and vapors  
(not CO, e.g. chlorine, H<sub>2</sub>S, HCN)

BROWN - AX



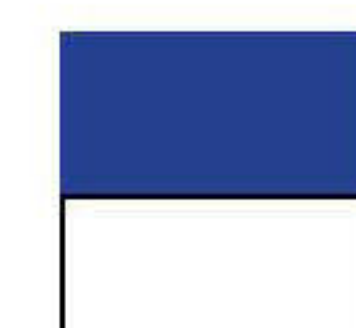
Organic gases and vapors  
(boiling point < 65°C).

BLACK WHITE - CO



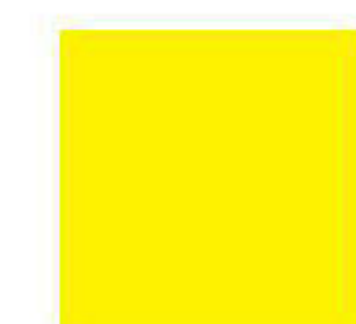
Carbon monoxide.

BLUE WHITE - NO-P3



Sulfur dioxide and acidic  
gases and vapors

YELLOW - E



Sulfur dioxide and acidic  
gases and vapors

RED - Hg-P3



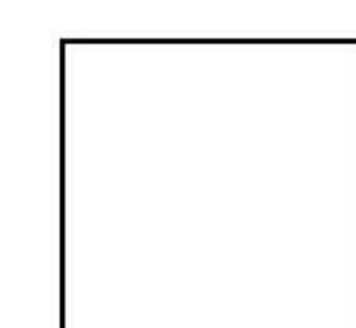
Mercury vapors

ORANGE  
Reactor - P3



Radioiodine.

WHITE - P



Particles (dust).

### FILTERS



CODE 0106009

#### MBK03 - A1F

Filter Suitable for Organic  
Gases and Vapors



CODE 0106010

#### MBK03 - P3

Filter Suitable for Dust, Humidity,  
Smoke, Aerosol etc.

SPECIAL  
COMBINED  
FILTERS  
AVAILABLE  
UPON  
ORDER

FILTERS CERTIFIED ACCORDING 89/686/EEC AND EN 143:2000



# FIRE HOSE CABINETS

## FIRE TOOL STATIONS AND RELATIVE EQUIPMENT

### FIRE BLANKET

FIRE RESISTANT  
BLANKET WITH USAGE  
INSTRUCTIONS &  
ISOTHERMAL BLANKET



CODE 0105013

**KX13 - 010 - 00A - Y**

0,90 x 0,90m in Soft Case

CODE 0105000

**KX13 - 009 - 00A**

1,00x1,50m in Soft Case

CODE 0105018

**KX10 - 375A - 00**

1,50x1,50m in Soft PVC Case.



CODE 0105016

**KX13 - 010 - 00A - Z**

0,90x0,90m in Hard PVC Box.

CODE 0105001

**KX13 - 006 - 00**

1,20x1,20m in Hard PVC Box.



# FIRE HOSE CABINETS

## FIRE TOOL STATIONS AND RELATIVE EQUIPMENT

### CERTIFIED FIRE BLANKET

IN HARD PVC CYLINDRICAL BOX WITH MANUAL



CODE 0105012

**MBK04 - CT9090**

0,90 x 0,90 m

EN1869

CODE 0105002

**MBK02 - CA120X180**

1,20 x 1,80 m

EN1869

CODE 0105004

**MBK03 - A - 180X180/N**

1,80 x 1,80 m

RINA MARINE  EN1869

### CERTIFIED FIRE BLANKET

IN HARD PVC BOX WITH MANUAL

CODE 0105019

**MBK10 - FIRE\_BLANKET - 11**

1 x 1 m

EN1869

CODE 0105020

**MBK10 - FIRE\_BLANKET - 115**

1 x 1,5 m

EN1869

CODE 0105021

**MBK10 - FIRE\_BLANKET - 1212**

1,2 x 1,2 m

EN1869

CODE 0105025

**MBK13 - FIRE \_ BLANKET - 1218**

1,2 x 1,8 m

EN1869

CODE 0102209

**MBK10 - FIRE\_BLANKET - 1515**

1,5 x 1,5 m

EN1869





# FIRE HOSE CABINETS

## FIRE TOOL STATIONS AND RELATIVE EQUIPMENT

### FIRE BLANKET

Design Fire Blanket, 1x1m in Soft PVC Case.  
User Manual is Included.



CODE 0109428

**MBK21-BLANKET-1X1-WHITE**

1,00 x 1,00m in Soft PVC Case  
White Color in 4 Different Designs.



CODE 0109429

**MBK21-BLANKET-1X1-BLACK**

1,00 x 1,00m in Soft PVC Case  
Black Color in 4 Different Designs.



# FIRE HOSE CABINETS

## FIRE TOOL STATIONS AND RELATIVE EQUIPMENT



CODE 0105027

**MBK13 - BLANKET - 1111 - BSI**

Fire Blanket 1,1x1,1m  
in Hard PVC Box.

Certified by BSI According EN 1869.



CODE 0105028

**MBK13 - BLANKET - 1212 - BSI**

Fire Blanket 1,2x1,2m  
in Hard PVC Box.

Certified by BSI According EN 1869.



CODE 0105029

**MBK13 - BLANKET - 1218 - BSI**

Fire Blanket 1,2x1,8m  
in Hard PVC Box.

Certified by BSI According EN 1869.