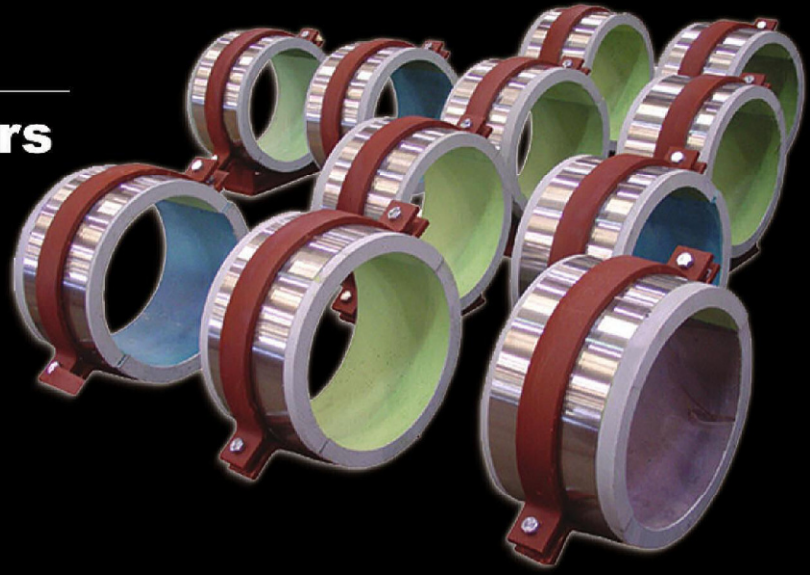
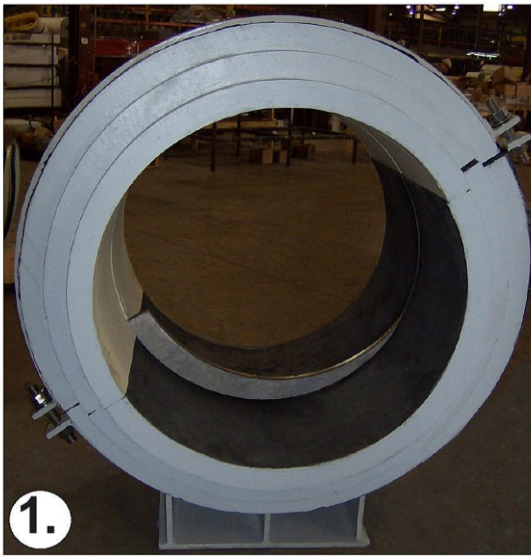


Pre-Insulated Pipe Supports (Cold Shoes & Hot Shoes)

Slides, Guides & Anchors

Product Catalog





1. Cold insulated pipe anchors with axial stops.

2. Custom cryogenic pipe supports fabricated for an LNG facility.

3. 274 custom hot pipe shoes rush project which were delivered in three weeks.

4. Insulated pipe supports designed for cryogenic temperatures down to -320°F in an LNG facility.

5. Custom high temperature pipe supports for a granular activated carbon manufacturing plant.



1. Pre-insulated pipe shoes made with carbon steel.

2. High temperature support with an outside diameter of 58" and are capable of handling temperatures up to 1500°F. They are fabricated from a combination of carbon steel for the top and stainless steel for the bottom.

3. 60 hot shoes for a chemical plant in Texas. These shoes are used in processes where it is imperative that thermal energy is not lost through the pipe support.


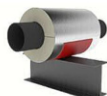
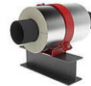
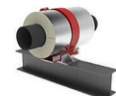
4. Hot shoes fabricated from steel carbon with a red oxide and calcium sillicate insulation.

Insulated Pipe Support Selection Guide

TABLE 2

SERVICE: STEAM, GAS OR AIR

APPLICATION: PIPE SUPPORTED FROM ABOVE OR BELOW

Pipe Size (inches)	For reference: ASME B31.1	Pipe Shields Model:													
		Commercial		Light Industrial w/ Load Distribution Plate				Heavy Industrial on Slide Pad				Rated for Combined Lateral and Vertical Loads			
															
		A1000 A2000	A3000 A4000	A5000 A6000	A7000	A7200	A7400	B1000 B2000 B3000 B4000 B5000 B6000	B1100 B2100 B3100 B4100 B5100 B6100	B1200 B2200 B3200 B4200 B5200 B6200	B1300 B2300 B3300 B4300 B5300 B6300	B7000 B8000	B7100 B8100	B7200 B8200	B7300 B8300
<i>maximum hanger support spacing (feet)</i>															
1/2	8	11	12												
3/4	9	12	13												
1	9	14	15												
1 1/2	12	17	19												
2	13	18	20												
2 1/2	14	15	16	20	25										
3	15	15	17	21	26			40	50	60		40	50	60	
3 1/2	16	16	18	21	25			40	50	60		40	50	60	
4	17	17	19	23	26			40	50	60		40	50	60	
5	19	17	20	22	25			40	50	60		40	50	60	
6	21	16	18	20	22	40		40	50	60		40	50	60	
8	24	12	14	17	19	35		40	50	60		40	50	60	
10	26	10	10	13	17	31	40	40	50	60		36	50	60	
12	30	9	9	15	26	37	45	36	50	60	70	32	50	60	70
14	32	8	9	15	25	40	45	38	50	60	70	34	50	60	70
16	35	8	8	14	24	40	45	39	50	60	70	25	50	60	70
18	37			14	24	40	45	38	50	60	70	34	50	60	70
20	39			14	22	40	45	36	50	60	70	32	50	60	70
24	42			11	20	36	45	32	50	60	70	28	50	60	70
60	44			10	18	32	39	33	50	60	70	30	50	60	70
63	48			9	15	27		33	50	60	70	29	50	60	70
42	50				12	23		31	50	60	70	28	50	60	70


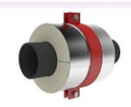
Note: The maximum hanger spacing shown in Table 2 are derived from load ratings (see Product Data Sheets) models, assuming weight of standard pipe, and 2" insulation. The customer should be guided by the hanger spacings allowed by the applicable code or the project engineers' specifications before making a selection. Refer to the appropriate Product Data Sheets for additional information such as load rating, compensation for temperature, axial or lateral travel, or restraint, etc.

Example: Given: Pipe Diameter: 8" standard weight
 Service: Steam
 Support Spacing: 30' - 0
 Determine: Insulated pipe support model number
 Method: In table 2, for 8" pipe size, find the model(s) rated for handling 30'- 0 or greater support spacing. In this case, Model A7200 is selected since it is capable of handling 35'-0 support spacing. The Index Sheets to Sections "A" & "B" indicate some of the differences between models. Check Product Data Sheet for description before making a final selection. In this example, if the support is required to handle +/-4 1/2" of axial travel, Model B2000 would be selected (Section "B" Index & Product Data Sheet B2000).

TABLE 3

SERVICE: WATER

APPLICATION: PIPE SUPPORTED FROM ABOVE IN CLEVIS OR 2-BOLT HANGER

Pipe Size (inches)	For reference: ASME B31.1	Pipe Shields Model:							
		Clevis Hanger 				2-Bolt Hanger 			
		A1000 A2000	A3000 A4000	A9000	D1000 D2000 D4000 D5000	D3000 D6000	D3100 D6100	D3200 D6200	D3300 D6300
<i>maximum hanger support spacing (feet)</i>									
1/2	7	11	12	13					
3/4	7	12	13	15					
1	7	14	15	17	19				
1 1/2	9	16	18	19	22				
2	10	17	18	21	29				
2 1/2	11	16	18	21	24				
3	12	17	18	20	25				
3 1/2	13	16	17	19	22				
4	14	16	18	19	22				
5	16	15	16	19		21	40		
6	17	14	15	16		21	40		
8	19	13	13	15		22	32		
10	22	12	13	14		24	28		
12	23	11	12	13		22	26		
14	25	11	12	13		20	23		
16	27	10	11	12		21	26	40	
18	28	9	10	11		18	22	33	
20	30	9	9	10		16	18	28	37
24	32		8	9		15	19	29	38
30	33					11	13	19	26

Note: The maximum hanger spacing shown in Table 3 are derived from load ratings (see Product Data Sheets) of Pipe Shields, Inc. models, assuming weight of standard pipe, water, and 2" insulation. The customer should be guided by the hanger spacings allowed by the applicable code or the project engineers' specifications before making a selection. Refer to the appropriate Product Data Sheets for additional information such as load rating, compensation for temperature, axial or lateral travel, or restraint, etc.

Example: Given: Pipe Diameter: 8" standard weight

Service: Water

Support Spacing: 20' - 0



Determine: Insulated pipe support model number

Method: In table 3, for 8" pipe size, find the model(s) rated for handling 20'- 0 or greater support spacing. In this case, Model D3000 is selected since it is capable of handling 22'-0 support spacing. The Index Sheets to Sections "A" & "D" indicate some of the differences between models. Check Product Data Sheet for description before making a final selection. In this example, if the clearance is above the support limited, Model D6000 might be selected (Section "D" Index & Product Data Sheet D6000).

TABLE 4

SERVICE: STEAM, GAS OR AIR

APPLICATION: PIPE SUPPORTED FROM ABOVE IN CLEVIS OR 2-BOLT HANGER

Pipe Size (inches)	For reference: ASME B31.1	Pipe Shields Model:							
		Clevis Hanger				2-Bolt Hanger			
									
		A1000 A2000	A3000 A4000	A9000	D1000 D2000 D4000 D5000	D3000 D6000	D3100 D6100	D3200 D6200	D3300 D6300
<i>maximum hanger support spacing (feet)</i>									
1/2	8	11	12	13					
3/4	9	12	13	15					
1	9	15	16	19	21				
1 1/2	12	19	20	22	26				
2	13	20	22	25	36				
2 1/2	14	20	22	25	29				
3	15	21	24	26	32				
3 1/2	16	21	23	25	29				
4	17	23	24	26	31				
5	19	22	24	28		30	55		
6	21	22	23	24		32	55		
8	24	21	22	25		25	52		
10	26	20	22	24		40	45		
12	30	20	21	24		40	45		
14	32	21	23	25		38	55	60	
16	35	21	22	25		40	55	60	
18	37	21	22	25		40	49	60	
20	39	21	22	25		38	44	60	65
24	42	20	21	24		40	50	60	65
30	44					34	51	60	65

Note: The maximum hanger spacing shown in Table 4 are derived from load ratings (see Product Data Sheets) models, assuming weight of standard pipe, and 2" insulation. The customer should be guided by the hanger spacings allowed by the applicable code or the project engineers' specifications before making a selection. Refer to the appropriate Product Data Sheets for additional information such as load rating, compensation for temperature, axial or lateral travel, or restraint, etc.

Example: Given: Pipe Diameter: 8" standard weight

Service: Steam

Support Spacing: 24' - 0



Determine: Insulated pipe support model number

Method: In table 4, for 8" pipe size, find the model(s) rated for handling 24'- 0 or greater support spacing. In this case, Model A9000 is selected since it is capable of handling 25'-0 support spacing. The Index Sheets to Sections "A" & "D" indicate some of the differences between models. Check Product Data Sheet for description before making a final selection. In this example, if the clearance is above the support limited, Model D6000 might be selected (Section "D" Index & Product Data Sheet D6000).

TABLE 6

SERVICE: STEAM, GAS OR AIR

APPLICATION: PIPE SUPPORTED FROM BELOW ON PIPE ROLL OR ABOVE

Pipe Size (inches)	For refer- ence: ASME B31.1	Pipe Shields Model:				
		Commerical 	Light Industrial w/ Load Distribution Plate 			
		A3000 A4000	A5000 A6000	A8000	A8200	A8400
<i>maximum hanger support spacing (feet)</i>						
1/2	8	12				
3/4	9	13				
1	9	14				
1 1/2	12	17				
2	13	18				
2 1/2	14	15	18	22		
3	15	15	19	21		
3 1/2	16	16	19	21		
4	17	17	20	23		
5	19		20	22		
6	21		18	20	36	
8	24		15	17	31	
10	26		11	17	27	38
12	30		13	23	40	50
14	32		13	22	40	50
16	35		13	22	39	50
18	37		12	21	38	50
20	39		12	20	36	49
24	42		11	18	33	44
30	44		9	16	29	39
36	48		8	13	24	
42	50			11	20	

Note: The maximum hanger spacing shown in Table 6 are derived from load ratings (see Product Data Sheets) models, assuming weight of standard pipe, and 2" insulation. The customer should be guided by the hanger spacings allowed by the applicable code or the project engineers' specifications before making a selection. Refer to the appropriate Product Data Sheets for additional information such as load rating, compensation for temperature, axial or lateral travel, or restraint, etc.

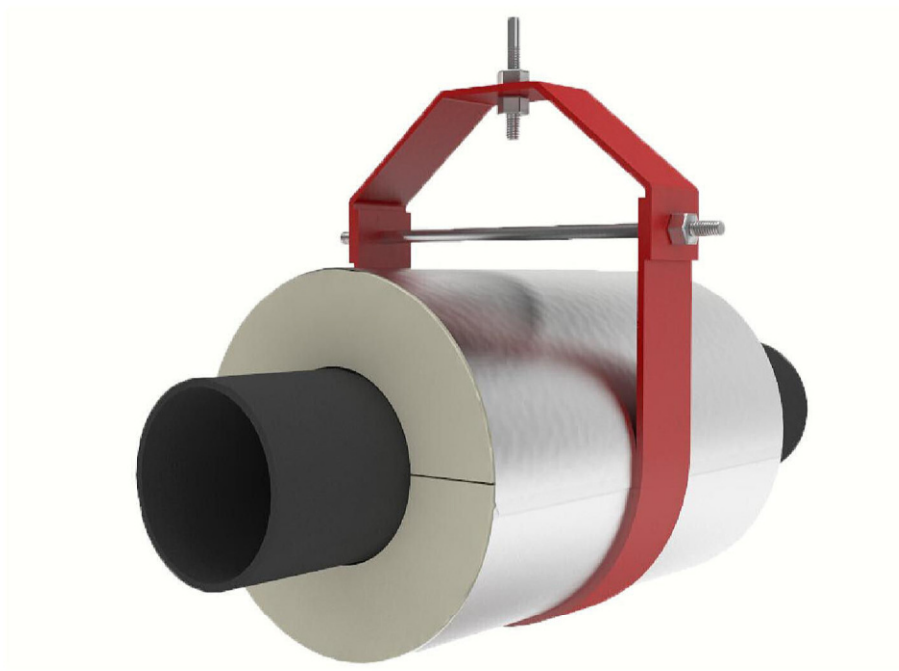
Example: Given: Pipe Diameter: 8" standard weight

Service: Water

Support Spacing: 25' - 0

Determine: Insulated pipe support model number

Method: In table 6, for 8" pipe size, find the model (s) rated for handling 25'-0 or greater support spacing. In this case, Model A8200 is selected since it is capable of handling 25'-0 or 31'-0 support spacing. The Index Sheet to Section "A" indicates some of the differences between models. Check Product Data Sheet for description before making a final selection. If greater support spacings are desired, see Section "B" (Base Mounted Supports).



INTRODUCTION

SECTION "A"

PRE-INSULATED PIPE SUPPORTS

APPLICATION – Commercial and Light Industrial

Most commercial applications are well served by Models A1000 and A2000, which are recommended for use on common 10'-0" hanger space for small bore pipe sizes (see Selection Guide). However, should the need arise, because of increased hanger spacing or the manner in which the insulated support is mounted, heavier duty supports are available.

As is readily seen in the "Section Index" on the following page, some models are meant for installation only in a clevis hanger, on a flat surface, or on a pipe roll. Other models may be installed in any two or all three mounting methods.




The load ratings (see Product Data Sheets) reflect consideration for the manner in which each of these models will be mounted.

Note: In the A7000 through A7400 Series and the A8000 through A8400 Series, the higher the model number, the higher the load rating.

We are committed to providing the most economical and appropriate insulated pipe support to satisfy the requirements of the piping system.

Please acquaint yourself with the selection guide at the front of this catalog and the section index on the page following this introduction, for assistance in determining the most appropriate support for your application.

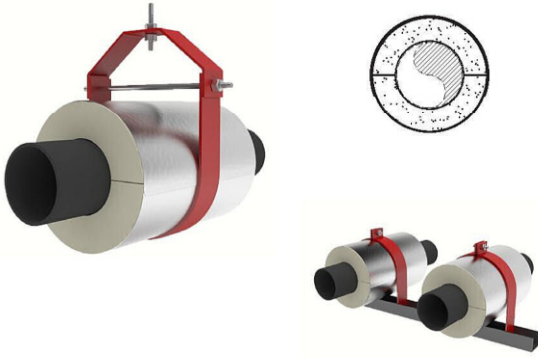
PRE-INSULATED PIPE SUPPORTS
COMMERCIAL AND LIGHT INDUSTRIAL

MODEL	PIPE SIZE RANGE	PRIMARY APPLICATION		INSTALLED ON			DUTY
		HOT	COLD	FLAT SURFACE	CLEVIS HANGER	PIPE ROLL	
							
A1000	1/2 - 24	X		X	X		LIGHT
A2000	1/2 - 24		X	X	X		LIGHT
A3000	1/2 - 24	X		X	X		MEDIUM
A3000	1/2 - 4	X				X	MEDIUM
A4000	1/2 - 24		X	X	X		MEDIUM
A4000	1/2 - 4		X			X	MEDIUM
							
A5000	2 1/2 - 42	X		X		X	MED/HEAVY
A6000	2 1/2 - 42		X	X		X	MED/HEAVY
A7000	2 1/2 - 42	X	X	X			HEAVY
A7200	6 - 42	X	X	X			HEAVIER
A7400	10 - 30	X	X	X			HEAVIEST
A8000	2 1/2 - 42	X	X			X	HEAVY
A8200	6 - 42	X	X			X	HEAVIER
A8400	10 - 30	X	X			X	HEAVIEST
							
A9000	1/2 - 24	X	X		X	X	HEAVY

TO ORDER, specify:

- | | |
|-------------------------|--------|
| 1. Quantity | 20 |
| 2. Pipe Size & Type | 2" IPS |
| 3. Insulation Thickness | 2-1/2" |
| 4. Model Number | A1000 |
| EXAMPLE:(20) 2 x 2-1/2 | A1000 |

Model A1000 Insulated Pipe Support *Regular Duty*



Hardware sold separately.

Note: For higher load ratings, see A3000, A9000.

Oper. Temp. °F	Mult. Factor "F"
500	0.90
750	0.75
1000	0.50
1200	0.30

TABLE III

Pipe Size	MAXIMUM LOAD RATING (LBS)	
	On Flat Surface (a) (c)	In Clevis Hanger (b) (c)
1/2	35	40
3/4	40	45
1	60	65
1 1/4	70	80
1 1/2	100	110
2	125	140
2 1/2	150	200
3	180	250
3 1/2	225	300
4	270	350
5	350	450
6	400	550
8	450	750
10	500	1000
12	550	1200
14	575	1400
16	600	1600
18	625	1800
20	675	2000
24	750	2300

TABLE I

The load ratings represent average values obtained in accordance with accepted methods and are subject to normal manufacturing variations. Dimensions and ratings are subject to change without notice.

- To develop maximum load rating, width of support surface should be at least 1/2 of dimension "A" in Table II.
- To develop maximum load rating, use band, ring or clevis hanger with manufacturer's load rating equal to or greater than values shown in Table I.
- To obtain load ratings for operating temperatures of 500° F and higher, multiply load rating by factor "F" in Table III.

Contact factory for other dimensions, temperatures, and loads. Available in all insulation thicknesses.

Iron Pipe Size	Insulation Thickness																Copper Tubing Size O.D.					
	1/2		3/4		1		1 1/2		2		2 1/2		3		3 1/2			4				
	A	B	A	B	A	B	A	B	A	B	A	B	A	B	A	B		A	B			
1/2 - 1 1/2	4	24	4	24	4	24	4	24	4	24	4	24	6	24	6	24	6	24	6	24	5/8 - 1 5/8	
2	6	24	6	24	6	24	6	24	6	24	6	24	6	24	6	24	6	24	6	24	2 1/8	
2 1/2 - 4	6	20	6	20	6	20	6	20	6	20	6	20	9	20	9	20	9	20	9	20	2 5/8 - 4 1/8	
5					6	20	6	20	6	20	6	20	9	20	9	20	9	20	9	20	5 1/8	
6 - 7					6	20	6	20	6	20	6	20	9	16	9	16	9	16	9	16	6 1/8	
8 - 10								9	16	9	16	9	16	9	16	9	16	9	16	9	16	8 1/8 - 10 1/8
12 - 18								12	16	12	16	12	16	12	16	12	16	12	16	12	16	12 1/8
20 - 24								18	16	18	16	18	16	18	16	18	16	18	16	18	16	

TABLE II "B" = gauge of sheet metal jacket

Application:

Model A1000 is designed for use on:

- Hot water
- Cold water
- Chilled water
- Dual temperature
- Steam
- Air
- Gas
- Vacuum

Intended for installation on:

- Flat surfaces
- Band, ring or clevis pipe hanger

Temperature Range:

Standard: +40°F to +1200°F CalSil Insulation

Note: Up to 1800°F available upon request.

Cryogenic: -275°F to +275°F Urethane Insulation. Add U after the model number (i.e., A1000U)

Features:

- Compact
- Easy installation
- Eliminates welding to pipe
- Overlapping galvanized sheet metal jacket
- Minimizes heat loss and/or condensation
- Copper tubing sizes available
- Other I.D.'s and/or O.D.'s available on request
- Clamps available (see G-series)

Performance test results on file:
Available upon request.

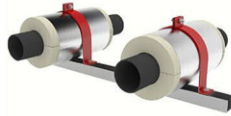
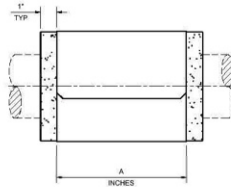
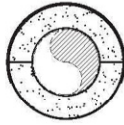
Material Data:

- A1000:** Applicable PSI spec. doc.: No. 205
- Standard Insulation:** Calcium silicate asbestos-free, treated with water repellent
- Jackets:** Galvanized steel ASTM A-653
- Glue:** Industrial contact adhesive

Formal submittal sheets available.

Model A2000 Insulated Pipe Support

Regular Duty with
Extended Insulation



Hardware sold separately
Note: For higher load ratings, see A4000, A9000.

Oper. Temp. °F	Mult. Factor "F"
500	0.90
750	0.75
1000	0.50
1200	0.30

TABLE III

The load ratings represent average values obtained in accordance with accepted methods and are subject to normal manufacturing variations. Dimensions and ratings are subject to change without notice.

- a) To develop maximum load rating, width of support surface should be at least 1/2 of dimension "A" in Table II.
- b) To develop maximum load rating, use band, ring or clevis hanger with manufacturer's load rating equal to or greater than values shown in Table I.
- c) To obtain load ratings for operating temperatures of 500°F and higher, multiply load rating by factor "F" in Table III.

Pipe Size	MAXIMUM LOAD RATING (LBS)	
	On Flat Surface (a) (c)	In Clevis Hanger (b) (c)
1/2	35	40
3/4	40	45
1	60	65
1 1/4	70	80
1 1/2	100	110
2	125	140
2 1/2	150	200
3	180	250
3 1/2	225	300
4	270	350
5	350	450
6	400	550
8	450	750
10	500	1000
12	550	1200
14	575	1400
16	600	1600
18	625	1800
20	675	2000
24	750	2300

TABLE I

Contact factory for other dimensions, temperatures, and loads.
Available in all insulation thicknesses.

Iron Pipe Size	Insulation Thickness																Copper Tubing Size O.D.		
	1/2		3/4		1		1 1/2		2		2 1/2		3		3 1/2			4	
	A	B	A	B	A	B	A	B	A	B	A	B	A	B	A	B		A	B
1/2 - 1 1/2	6	24	6	24	6	24	6	24	6	24	6	24	6	24	6	24	6	24	5/8 - 15/8
2	6	24	6	24	6	24	6	24	6	24	6	24	6	24	6	24	6	24	2 1/8
2 1/2 - 4	6	20	6	20	6	20	6	20	6	20	6	20	9	20	9	20	9	20	2 5/8 - 4 1/8
5					6	20	6	20	6	20	6	20	9	20	9	20	9	20	5 1/8
6 - 7					6	20	6	20	6	20	6	20	9	16	9	16	9	16	6 1/8
8 - 10							9	16	9	16	9	16	9	16	9	16	9	16	8 1/8 - 10 1/8
12 - 18							12	16	12	16	12	16	12	16	12	16	12	16	12 1/8
20 - 24							18	16	18	16	18	16	18	16	18	16	18	16	

TABLE II "B" = gauge of sheet metal jacket

Application:

Model A2000 is designed for use on:

- Cold water
- Chilled water

Intended for installation on:

- Flat surfaces
- Band, ring or clevis pipe hanger

Temperature Range:

Standard: +40°F to +1200°F CalSil Insulation

Note: Up to 1800°F available upon request.

Cryogenic: -275°F to +275°F Urethane Insulation.
Add U after the model number (i.e., A2000U)

Features:

- Compact
- Easy installation
- Eliminates welding to pipe
- Overlapping galvanized sheet metal jacket
- Minimizes heat loss and/or condensation
- Calcium silicate insulation extends 1" beyond the galvanized sheet metal jacket providing for an easier vapor barrier joint with the pipe insulation
- Copper tubing sizes available
- Other I.D.'s and/or O.D.'s available on request
- Clamps available (see G-series)

Performance test results on file:
Available upon request.

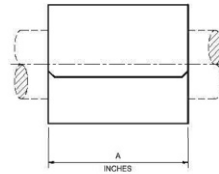
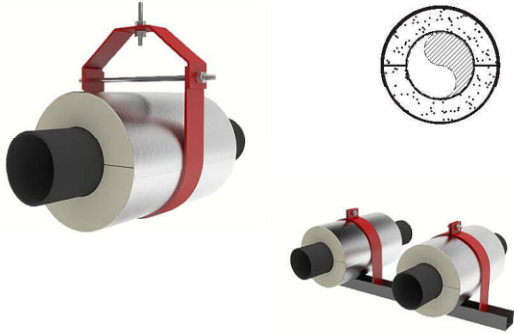
Material Data:

- **A2000:** Applicable PSI spec. doc.: No. 205
- **Insulation:** Calcium silicate asbestos-free, treated with water repellent
- **Jackets:** Galvanized steel ASTM A-653
- **Glue:** Industrial contact adhesive

Formal submittal sheets available.

Model A3000 Insulated Pipe Support

*Extra Heavy
Bottom Jacket*



Oper. Temp. °F	Mult. Factor "F"
500	0.90
750	0.75
1000	0.50
1200	0.30

TABLE III

Hardware sold separately

Note: For higher load ratings, see A5000, A9000.

The load ratings represent average values obtained in accordance with accepted methods and are subject to normal manufacturing variations. Dimensions and ratings are subject to change without notice.

- a) To develop maximum load rating, width of support surface should be at least 1/2 of dimension "A" in Table II.
- b) Divide "A" in Table II by 6 to find maximum allowable travel on pipe roll (+/- from centered position).
- c) To develop maximum load rating, use band, ring or clevis hanger with manufacturer's load rating equal to or greater than values shown in Table I.
- d) To obtain load ratings for operating temperatures of 500°F and higher, multiply load rating by factor "F" in Table III.

Pipe Size	MAXIMUM LOAD RATING (LBS)		
	On Flat Surface (a) (d)	On Pipe Roll (b) (d)	In Ring or Clevis Hanger (c) (d)
1/2	40	35	45
3/4	45	40	50
1	65	60	70
1 1/4	80	70	90
1 1/2	110	100	120
2	140	125	155
2 1/2	165	150	220
3	200	180	275
3 1/2	250	225	325
4	300	270	375
5	400	See A5000	475
6	450		575
8	500		800
10	525		1100
12	575		1300
14	600		1500
16	625		1700
18	650		1900
20	700		2100
24	775		2400

TABLE I

Contact factory for other dimensions, temperatures, and loads.
Available in all insulation thicknesses.

Iron Pipe Size	Insulation Thickness																Copper Tubing Size O.D.		
	1/2		3/4		1		1 1/2		2		2 1/2		3		3 1/2			4	
	A	B	A	B	A	B	A	B	A	B	A	B	A	B	A	B		A	B
1/2 - 1 1/2	4	24	4	24	4	24	4	24	4	24	4	24	6	24	6	24	6	24	5/8 - 1 5/8
2	6	24	6	24	6	24	6	24	6	24	6	24	6	24	6	24	6	24	2 1/8
2 1/2 - 4	6	20	6	20	6	20	6	20	6	20	6	20	9	20	9	20	9	20	2 5/8 - 4 1/8
5					6	20	6	20	6	20	6	20	9	20	9	20	9	20	5 1/8
6 - 7					6	20	6	20	6	20	6	20	9	16	9	16	9	16	6 1/8
8 - 10							9	16	9	16	9	16	9	16	9	16	9	16	8 1/8 - 10 1/8
12 - 18							12	16	12	16	12	16	12	16	12	16	12	16	12 1/8
20 - 24							18	16	18	16	18	16	18	16	18	16	18	16	

TABLE II "B" = gauge of sheet metal jacket (bottom jacket approx. 2 X ga. of top jacket)

Application:

Model A3000 is designed for use on:

- Hot water
- Cold water
- Chilled water
- Dual temperature
- Steam
- Air
- Gas
- Vacuum

Intended for installation on:

- Flat surfaces
- Pipe rolls
- Band, ring or clevis pipe hanger

Temperature Range:

Standard: +40°F to +1200°F CalSil Insulation
Note: Up to 1800°F available upon request.
Cryogenic: -275°F to +275°F Urethane Insulation.
 Add U after the model number (i.e., A3000U)

Features:

- Compact
- Easy installation
- Eliminates welding to pipe
- Overlapping galvanized sheet metal jacket
- Minimizes heat loss and/or condensation
- Double thickness bottom jacket for added structural strength and abrasive wear resistance
- Copper tubing sizes available
- Other I.D.'s and/or O.D.'s available on request
- Clamps available (see G-series)
- Clevis available (see PTP fig. 83)

Performance test results on file:
Available upon request.

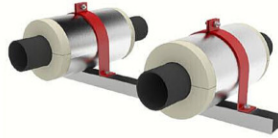
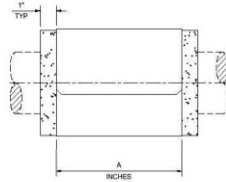
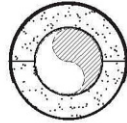
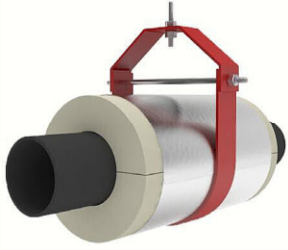
Material Data:

- **A3000:** Applicable PSI spec. doc.: No. 205
- **Insulation:** Calcium silicate asbestos-free, treated with water repellent
- **Jackets:** Galvanized Steel ASTM A-653
- **Glue:** Industrial contact adhesive

Formal submittal sheets available

Model A4000 Insulated Pipe Support

Extra Heavy Bottom Jacket
with extended Insulation



Oper. Temp. °F	Mult. Factor "F"
500	0.90
750	0.75
1000	0.50
1200	0.30

TABLE III

Hardware sold separately

Note: For higher load ratings, see A6000, A9000.

The load ratings represent average values obtained in accordance with accepted methods and are subject to normal manufacturing variations. Dimensions and ratings are subject to change without notice.

- a) To develop maximum load rating, width of support surface should be at least 1/2 of dimension "A" in Table II.
- b) Divide "A" in Table II by 6 to find maximum allowable travel on pipe roll (+/- from centered position).
- c) To develop maximum load rating, use band, ring or clevis hanger with manufacturer's load rating equal to or greater than values shown in Table I.
- d) To obtain load ratings for operating temperatures of 500°F and higher, multiply load rating by factor "F" in Table III.

Pipe Size	MAXIMUM LOAD RATING (LBS)		
	On Flat Surface (a) (d)	On Pipe Roll (b) (d)	In Ring or Clevis Hanger (c) (d)
1/2	40	35	45
3/4	45	40	50
1	65	60	70
1 1/4	80	70	90
1 1/2	110	100	120
2	140	125	155
2 1/2	165	150	220
3	200	180	275
3 1/2	250	225	325
4	300	270	375
5	400	See A6000	475
6	450		575
8	500		800
10	525		1100
12	575		1300
14	600		1500
16	625		1700
18	650		1900
20	700		2100
24	775		2400

TABLE I

Contact factory for other dimensions, temperatures, and loads.
Available in all insulation thicknesses.

Iron Pipe Size	Insulation Thickness																Copper Tubing Size O.D.		
	1/2		3/4		1		1 1/2		2		2 1/2		3		3 1/2			4	
	A	B	A	B	A	B	A	B	A	B	A	B	A	B	A	B		A	B
1/2 - 1 1/2	6	24	6	24	6	24	6	24	6	24	6	24	6	24	6	24	6	24	5/8-1 5/8
2	6	24	6	24	6	24	6	24	6	24	6	24	6	24	6	24	6	24	2 1/8
2 1/2 - 4	6	20	6	20	6	20	6	20	6	20	6	20	9	20	9	20	9	20	2 5/8 - 4 1/8
5					6	20	6	20	6	20	6	20	9	20	9	20	9	20	5 1/8
6 - 7					6	20	6	20	6	20	6	20	9	16	9	16	9	16	6 1/8
8 - 10									9	16	9	16	9	16	9	16	9	16	8 1/8 - 10 1/8
12 - 18									12	16	12	16	12	16	12	16	12	16	12 1/8
20 - 24									18	16	18	16	18	16	18	16	18	16	

TABLE II "B" = gauge of sheet metal jacket (bottom jacket approx. 2 X ga. of top jacket)

Application:

Model A4000 is designed for use on:

- Cold water
- Chilled water

Intended for installation on:

- Flat surfaces
- Pipe rolls
- Band, ring or clevis pipe hanger

Temperature Range:

Standard: +40°F to +1200°F CalSil Insulation

Note: Up to 1800°F available upon request.

Cryogenic: -275°F to +275°F Urethane Insulation.

Add U after the model number (i.e., A4000U)

Features:

- Compact
- Easy installation
- Eliminates welding to pipe
- Overlapping galvanized sheet metal jacket
- Double thickness bottom jacket for added structural strength and abrasive wear resistance
- Minimizes heat loss and/or condensation
- Calcium silicate insulation extends 1" beyond the galvanized sheet metal jacket providing for an easier vapor barrier joint with the pipe
- Copper tubing sizes available
- Other I.D.'s and/or O.D.'s available on request
- Clamps available (see G-series)
- Clevis available (see PTP fig. 83)

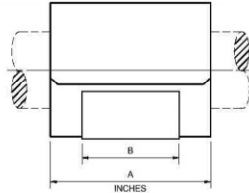
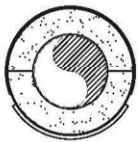
Performance test results on file:
Available upon request.

Material Data:

- **A4000:** Applicable PSI spec. doc.: No. 205
- **Insulation:** Calcium silicate asbestos-free, treated with water repellent
- **Jackets:** Galvanized steel ASTM A-653
- **Glue:** Industrial contact adhesive

Formal submittal sheets available

Model A5000 Insulated Pipe Support With load distribution plate



Oper. Temp. °F	Mult. Factor "F"
500	0.90
750	0.75
1000	0.50
1200	0.30

TABLE II

Hardware sold separately

Note: For higher load ratings, see A7000

Pipe Size	MAXIMUM LOAD RATING (LBS)		A	B	C	Max. Axial Travel (inches) on Pipe Roll +/-
	On Flat Surface (a) (b)	On Pipe Roll (b)				
2 1/2	200	180	9	6	1/4	2
3	250	225	9	6	1/4	2
3 1/2	300	270	9	6	1/4	2
4	350	315	9	6	1/4	2
5	450	400	9	6	1/4	2
6	500	450	9	6	1/4	2
8	625	550	9	6	1/4	2
10	650	575	9	6	1/4	2
12	925	825	12	9	3/8	3
14	1000	900	12	9	3/8	3
16	1100	975	12	9	1/2	3
18	1200	1075	12	9	1/2	3
20	1300	1150	12	9	1/2	3
24	1400	1250	12	9	3/4	3
30	1500	1350	12	9	3/4	3
36	1500	1350	12	9	3/4	3
42	1500	1350	12	9	3/4	3

TABLE I

Contact factory for other dimensions, temperatures, and loads. Available in all insulation thicknesses.

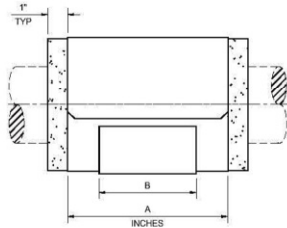
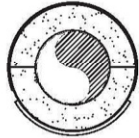
The load ratings represent average values obtained in accordance with accepted test methods and are subject to normal manufacturing variations. Dimensions and ratings are subject to change without notice. Contact factory for current information.

- a) To develop maximum load rating, width of support surface should be at least 1/2 of dimension "B" in Table I.
- b) To obtain load ratings for operating temperatures of 500°F and higher, multiply maximum load rating by factor "F" in Table II.

<p>Application:</p> <p>Model A5000 is designed for use on:</p> <ul style="list-style-type: none"> · Hot water · Cold water · Chilled water · Dual temperature · Steam · Air · Gas · Vacuum <p>Intended for installation on:</p> <ul style="list-style-type: none"> · Flat surfaces · Pipe rolls <p>Temperature Range: Standard: +40°F to +1200°F CalSil Insulation Note: Up to 1800°F available upon request. Cryogenic: -275°F to +275°F Urethane Insulation. Add U after the model number (i.e., A5000U)</p>	<p>Features:</p> <ul style="list-style-type: none"> · Compact · Easy installation · Eliminates welding to pipe · Copper tubing sizes available · Overlapping galvanized sheet metal jacket · Minimizes heat loss and/or condensation · Load distribution plate integral with bottom jacket · Other I.D.'s and/or O.D.'s available on request <p>Performance test results on file: Available upon request</p>	<p>Material Data:</p> <ul style="list-style-type: none"> · A5000: Applicable PSI spec. doc.: No. 205 · Insulation: Calcium silicate asbestos-free, treated with water repellent · Jackets: Galvanized steel ASTM A-653 · Load distribution Plate: Carbon steel ASTM A-36 · Coating: Primer coated or hot-dip galvanized Other coatings available upon request · Glue: Industrial contact adhesive <p style="text-align: center;">Formal submittal sheets available</p>
---	--	--

Model A6000 Insulated Pipe Support

With load distribution plate
with exterior Insulation



Oper. Temp. °F	Mult. Factor "F"
500	0.90
750	0.75
1000	0.50
1200	0.30

TABLE II

Hardware sold separately

Note: For higher load ratings, see A7000

Pipe Size	MAXIMUM LOAD RATING (LBS)		A	B	C	Max. Axial Travel (inches) on Pipe Roll +/-
	On Flat Surface (a) (b)	On Pipe Roll (b)				
2 1/2	200	180	9	6	1/4	2
3	250	225	9	6	1/4	2
3 1/2	300	270	9	6	1/4	2
4	350	315	9	6	1/4	2
5	450	400	9	6	1/4	2
6	500	450	9	6	1/4	2
8	625	550	9	6	1/4	2
10	650	575	9	6	1/4	2
12	925	825	12	9	3/8	3
14	1000	900	12	9	3/8	3
16	1100	975	12	9	1/2	3
18	1200	1075	12	9	1/2	3
20	1300	1150	12	9	1/2	3
24	1400	1250	12	9	3/4	3
30	1500	1350	12	9	3/4	3
36	1500	1350	12	9	3/4	3
42	1500	1350	12	9	3/4	3

TABLE I

Contact factory for other dimensions, temperatures, and loads. Available in all insulation thicknesses.

The load ratings represent average values obtained in accordance with accepted test methods and are subject to normal manufacturing variations. Dimensions and ratings are subject to change without notice. Contact factory for current information.

a) To develop maximum load rating, width of support surface should be at least 1/2 of dimension "B" in Table I.

b) To obtain load ratings for operating temperatures of 500°F and higher, multiply maximum load rating by factor "F" in Table II.

Application:

Model A6000 is designed for use on:

- Cold water
- Chilled water

Intended for installation on:

- Flat surfaces
- Pipe rolls

Temperature Range:

Standard: +40°F to +1200°F CalSil Insulation

Note: Up to 1800°F available upon request.

Cryogenic: -275°F to +275°F Urethane Insulation.

Add U after the model number (i.e., A6000U)

Features:

- Compact
- Easy installation
- Eliminates welding to pipe
- Copper tubing sizes available
- Overlapping galvanized sheet metal jacket
- Minimizes heat loss and/or condensation
- Load distribution plate integral with bottom jacket
- Calcium silicate insulation extends 1" beyond the galvanized sheet metal jacket providing for an easier vapor barrier joint with the pipe
- Other I.D.'s and/or O.D.'s available on request

Performance test results on file:

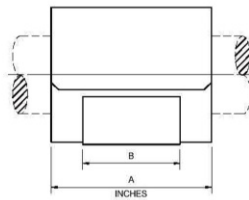
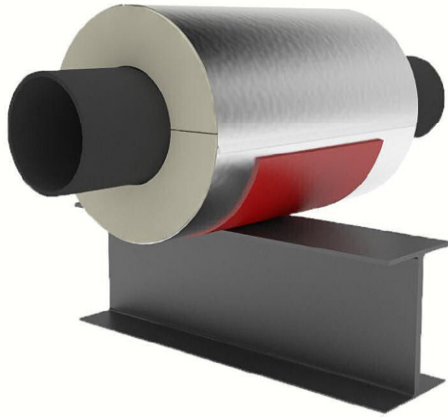
Available upon request

Material Data:

- **A6000:** Applicable PSI spec. doc.: No. 205
- **Insulation:** Calcium Silicate asbestos-free, treated with water repellent
- **Jackets:** Galvanized Steel ASTM A-653
- **Load distribution Plate:** Carbon steel ASTM A-36
- **Coating:** Primer coated or hot-dip galvanized
Other coatings available upon request
- **Glue:** Industrial contact adhesive

Formal submittal sheets available

Model A7000 Insulated Pipe Support *Heavy Duty with load bearing plate*



Pipe Size	MAXIMUM LOAD RTG. (LBS)	A	B	C
	On Flat Surface (a)			
2 1/2	250	6	3	1/4
3	300	6	3	1/4
3 1/2	350	6	3	1/4
4	400	6	3	1/4
5	500	6	3	1/4
6	550	6	3	1/4
8	700	6	3	1/4
10	875	9	6	3/8
12	1600	9	6	3/8
14	1650	9	6	3/8
16	1850	9	6	1/2
18	2000	9	6	1/2
20	2100	9	6	1/2
24	2300	9	6	3/4
30	2500	9	6	3/4
36	2500	9	6	3/4
42	2500	9	6	3/4

TABLE I

Contact factory for other dimensions, temperatures, and loads. Available in all insulation thicknesses.

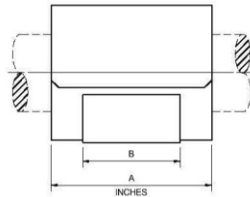
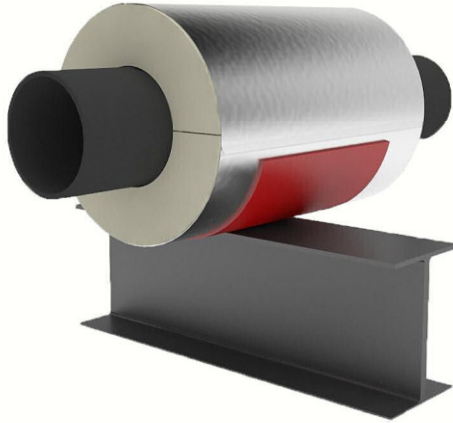
Note: For higher load ratings, see A7200

The load ratings represent average values obtained in accordance with accepted test methods and are subject to normal manufacturing variations. Dimensions and ratings are subject to change without notice. Contact factory for current information.

a) To develop maximum load rating, width of support surface should be at least 1/2 of dimension "B" in Table I.

<p>Application:</p> <p>Model A7000 is designed for use on:</p> <ul style="list-style-type: none"> · Hot water · Cold water · Chilled water · Dual temperature · Steam · Air · Gas · Vacuum <p>Intended for installation on:</p> <ul style="list-style-type: none"> · Flat surfaces · Pipe rolls, see A8000 · Clevis hangers, see A9000 <p>Temperature Range: Standard: +40°F to +1200°F CalSil Insulation Note: Up to 1800°F available upon request. Cryogenic: -275°F to +275°F Urethane Insulation. Add U after the model number (i.e., A7000U)</p>	<p>Features:</p> <ul style="list-style-type: none"> · Compact · Easy installation · Eliminates welding to pipe · Copper tubing sizes available · Minimizes heat loss and/or condensation · Insulating structural inserts for load transfer · Overlapping galvanized sheet metal jacket · Load distribution plate integral with bottom jacket · Other I.D.'s and/or O.D.'s available on request <p>Performance test results on file: Available upon request</p>	<p>Material Data:</p> <ul style="list-style-type: none"> · A7000: Applicable PSI spec. doc.: No. 205 · Insulation: Calcium silicate asbestos-free, treated with water repellent · Jackets: Galvanized steel ASTM A-653 · Structural Inserts: High-density calcium silicate asbestos-free, treated with water repellent. · Load distribution Plate: Carbon steel ASTM A-36 · Coating: Primer coated or hot-dip galvanized Other coatings available upon request · Glue: Industrial contact adhesive <p>Formal submittal sheets available</p>
---	---	---

Model A7200 Insulated Pipe Support *Heavy Duty with load bearing plate*



Pipe Size	MAXIMUM LOAD RTG. (LBS)	A	B	C
	On Flat Surface (a)			
6	1000	9	6	1/2
8	1250	9	6	1/2
10	1550	9	6	5/8
12	2250	9	6	5/8
14	2780	9	6	5/8
16	3300	9	6	3/4
18	3600	9	6	3/4
20	3800	9	6	3/4
24	4100	9	6	1
30	4500	9	6	1
36	4500	9	6	1
42	4500	9	6	1

TABLE I

Contact factory for other dimensions, temperatures, and loads. Available in all insulation thicknesses.

Note: For higher load ratings, see A7400, B1100

The load ratings represent average values obtained in accordance with accepted test methods and are subject to normal manufacturing variations. Dimensions and ratings are subject to change without notice. Contact factory for current information.

a) To develop maximum load rating, width of support surface should be at least 1/2 of dimension "B" in Table I.

Application:

Model A7200 is designed for use on:

- Hot water
- Cold water
- Chilled water
- Dual temperature
- Steam
- Air
- Gas
- Vacuum

Intended for installation on:

- Flat surfaces
- Pipe rolls, see A8200
- Clevis hangers, see A9000

Temperature Range:

Standard: +40°F to +1200°F CalSil Insulation

Note: Up to 1800°F available upon request.

Cryogenic: -275°F to +275°F Urethane Insulation.

Add U after the model number (i.e., A7200U)

Features:

- Compact
- Easy installation
- Eliminates welding to pipe
- Copper tubing sizes available
- Minimizes heat-loss and/or condensation
- Insulating structural inserts for load transfer
- Overlapping galvanized sheet metal jacket
- Load distribution plate integral with bottom jacket
- Other I.D.'s and/or O.D.'s available on request

Performance test results on file:

Available upon request

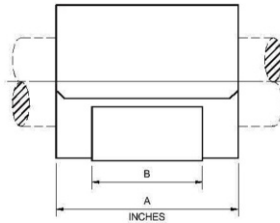
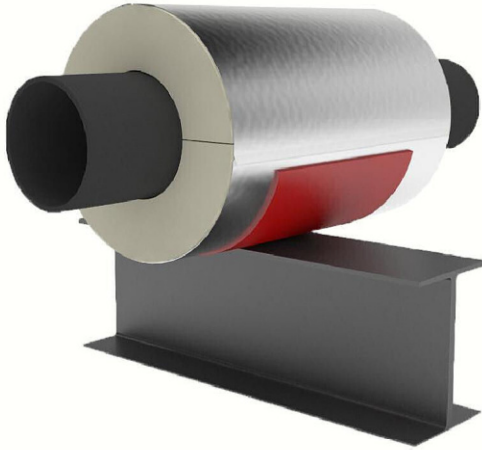
Material Data:

- **A7200:** Applicable PSI spec. doc.: No. 205
- **Insulation:** Calcium silicate asbestos-free, treated with water repellant
- **Jackets:** Galvanized steel ASTM A-653
- **Structural Inserts:** High-density calcium silicate asbestos-free, treated with water repellant
- **Load distribution Plate:** Carbon steel ASTM A-36
- **Coating:** Primer coated or hot-dip galvanized
Other coatings available upon request
- **Glue:** Industrial contact adhesive

Formal Submittal Sheets available

Model A7400 Insulated Pipe Support

Heavy Duty with
load bearing plate



Pipe Size	MAXIMUM LOAD RTG. (LBS)	A	B	C
	On Flat Surface (a)			
10	2100	9	6	3/4
12	3400	9	6	3/4
14	3900	9	6	3/4
16	4400	9	6	1
18	4800	9	6	1
20	5100	9	6	1
24	5500	9	6	1
30	5500	9	6	1
36	6500	9	6	1
42	7500	9	6	1

TABLE I

Contact factory for other dimensions, temperatures, and loads. Available in all insulation thicknesses.

Note: For higher load ratings, see B1200

The load ratings represent average values obtained in accordance with accepted test methods and are subject to normal manufacturing variations. Dimensions and ratings are subject to change without notice. Contact factory for current information.

a) To develop maximum load rating, width of support surface should be at least 1/2 of dimension "B" in Table I.

Application:

Model A7400 is designed for use on:

- Hot water
- Cold water
- Chilled water
- Dual temperature
- Steam
- Air
- Gas
- Vacuum

Intended for installation on:

- Flat surfaces
- Pipe rolls, see A8400
- Clevis hangers, see A9000

Temperature Range:

Standard: +40°F to +1200°F CalSil Insulation

Note: Up to 1800°F available upon request.

Cryogenic: -275°F to +275°F Urethane Insulation.

Add U after the model number (i.e., A7400U)

Features:

- Compact
- Easy installation
- Eliminates welding to pipe
- Copper tubing sizes available
- Minimizes heat-loss and/or condensation
- Insulating structural inserts for load transfer
- Overlapping galvanized sheet metal jacket
- Load distribution plate integral with bottom jacket
- Other I.D.'s and/or O.D.'s available on request

Performance Test Results on File:

Available upon request

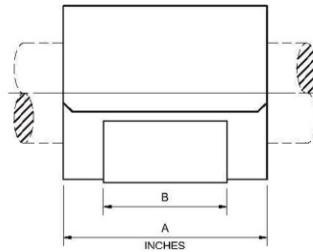
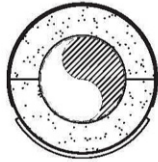
Material Data:

- **A7400:** Applicable PSI spec. doc.: No. 205.
- **Insulation:** Calcium Silicate asbestos-free, treated with water repellent
- **Jackets:** Galvanized Steel ASTM A-653
- **Structural Inserts:** High-density calcium silicate asbestos-free, treated with water repellent.
- **Load distribution Plate:** Carbon steel ASTM A-36
- **Coating:** Primer coated or hot-dip galvanized
Other coatings available upon request
- **Glue:** Industrial contact adhesive

Formal Submittal Sheets available

Model A8000 Insulated Pipe Support

Heavy Duty with
load bearing plate



Hardware sold separately

Note: For higher load ratings, see A8200

Pipe Size	MAXIMUM LOAD RTG. (LBS)	A	B	C	Max. Axial Travel (Inches) on Pipe Roll
	On Pipe Roll				
2 1/2	225	9	6	1/4	2
3	250	9	6	1/4	2
3 1/2	300	9	6	1/4	2
4	350	9	6	1/4	2
5	450	9	6	1/4	2
6	500	9	6	1/4	2
8	625	9	6	1/4	2
10	875	12	9	3/8	4
12	1400	12	9	3/8	4
14	1475	12	9	3/8	4
16	1650	12	9	1/2	4
18	1800	12	9	1/2	4
20	1875	12	9	1/2	4
24	2050	12	9	3/4	4
30	2250	12	9	3/4	4
36	2250	12	9	3/4	4
42	2250	12	9	3/4	4

TABLE I

Contact factory for other dimensions, temperatures, and loads. Available in all insulation thicknesses.

The load ratings represent average values obtained in accordance with accepted test methods and are subject to normal manufacturing variations. Dimensions and ratings are subject to change without notice. Contact factory for current information.

Application:

Model A8000 is designed for use on:

- Hot water
- Cold water
- Chilled water
- Dual temperature
- Steam
- Air
- Gas
- Vacuum

Intended for installation on:

- Flat surfaces, see A7000
- Pipe rolls
- Clevis hangers, see A9000

Temperature Range:

Standard: +40°F to +1200°F CalSil Insulation

Note: Up to 1800°F available upon request.

Cryogenic: -275°F to +275°F Urethane Insulation.

Add U after the model number (i.e., A8000U)

Features:

- Compact
- Easy installation
- Eliminates welding to pipe
- Copper tubing sizes available
- Minimizes heat loss and/or condensation
- Insulating structural inserts for load transfer
- Overlapping galvanized sheet metal jacket
- Load distribution plate integral with bottom jacket
- Other I.D.'s and/or O.D.'s available on request

Performance test results on file:

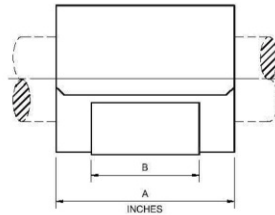
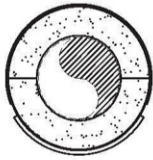
Available upon request

Material Data:

- **A8000:** Applicable PSI spec. doc.: No. 205
- **Insulation:** Calcium silicate asbestos-free, treated with water repellent
- **Jackets:** Galvanized steel ASTM A-653
- **Structural Inserts:** High-density calcium silicate asbestos-free, treated with water repellent
- **Load distribution Plate:** Carbon steel ASTM A-36
- **Coating:** Primer coated or hot-dip galvanized. Other coatings available upon request
- **Glue:** Industrial contact adhesive

Formal submittal sheets available

Model A8200 Insulated Pipe Support *Heavy Duty with load bearing plate*



Pipe Size	MAXIMUM LOAD RTG. (LBS)	A	B	C	Max. Axial Travel (Inches) on Pipe Roll
	On Pipe Roll				
6	900	12	9	1/2	3
8	1125	12	9	1/2	3
10	1375	12	9	5/8	3
12	2550	12	9	5/8	3
14	2650	12	9	5/8	3
16	2950	12	9	3/4	3
18	3200	12	9	3/4	3
20	3375	12	9	3/4	3
24	3675	12	9	1	3
30	4050	12	9	1	3
36	4050	12	9	1	3
42	4050	12	9	1	3

TABLE I

Contact factory for other dimensions, temperatures, and loads. Available in all insulation thicknesses.

Hardware sold separately

Note: For higher load ratings, see A8400, B1100

The load ratings represent average values obtained in accordance with accepted test methods and are subject to normal manufacturing variations. Dimensions and ratings are subject to change without notice. Contact factory for current information.

Application:

Model A8200 is designed for use on:

- Hot water
- Cold water
- Chilled water
- Dual temperature
- Steam
- Air
- Gas
- Vacuum

Intended for installation on:

- Pipe rolls
- Flat surfaces, see A7200
- Clevis hangers, see A9000

Temperature Range:

Standard: +40°F to +1200°F CalSil Insulation

Note: Up to 1800°F available upon request.

Cryogenic: -275°F to +275°F Urethane Insulation.

Add U after the model number (i.e., A8200U)

Features:

- Compact
- Easy installation
- Eliminates welding to pipe
- Copper tubing sizes available
- Minimizes heat loss and/or condensation
- Insulating structural inserts for load transfer
- Overlapping galvanized sheet metal jacket
- Load distribution plate integral with bottom jacket
- Other I.D.'s and/or O.D.'s available on request

Performance test results on file:

Available upon request

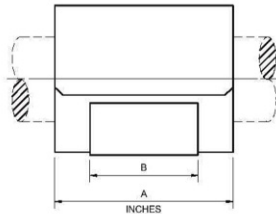
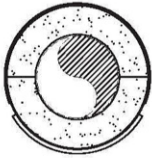
Material Data:

- **A8200:** Applicable PSI spec. doc.: No. 205.
- **Insulation:** Calcium silicate asbestos-free, treated with water repellent
- **Jackets:** Galvanized steel ASTM A-653
- **Structural Inserts:** High-density calcium silicate asbestos-free, treated with water repellent
- **Load distribution Plate:** Carbon steel ASTM A-36
- **Coating:** Primer coated or hot-dip galvanized
Other coatings available upon request
- **Glue:** Industrial contact adhesive

Formal submittal sheets available

Model A8400 Insulated Pipe Support

Heavy Duty with
load bearing plate



Hardware sold separately

Note: For higher load ratings, see B1200

Pipe Size	MAXIMUM LOAD RTG. (LBS)	A	B	C	Max. Axial Travel (Inches) on Pipe Roll
	On Pipe Roll				
10	1875	12	9	1	2 1/4
12	3400	12	9	1	2 1/4
14	3500	12	9	1	2 1/4
16	3950	12	9	1	2 1/4
18	4300	12	9	1	2 1/4
20	4550	12	9	1	2 1/4
24	4950	12	9	1	2 1/4
30	5450	12	9	1	2 1/4
36	6450	12	9	1	2 1/4
42	7450	12	9	1	2 1/4

TABLE I

Contact factory for other dimensions, temperatures, and loads. Available in all insulation thicknesses.

The load ratings represent average values obtained in accordance with accepted test methods and are subject to normal manufacturing variations. Dimensions and ratings are subject to change without notice. Contact factory for current information.

Application:

Model A8400 is designed for use on:

- Hot water
- Cold water
- Chilled water
- Dual temperature
- Steam
- Air
- Gas
- Vacuum

Intended for installation on:

- Pipe rolls
- Flat surfaces, see A7400
- Clevis hangers, see A9000

Temperature Range:

Standard: +40°F to +1200°F CalSil Insulation

Note: Up to 1800°F available upon request.

Cryogenic: -275°F to +275°F Urethane Insulation.

Add U after the model number (i.e., A8400U)

Features:

- Compact
- Easy installation
- Eliminates welding to pipe
- Copper tubing sizes available
- Minimizes heat loss and/or condensation
- Insulating structural inserts for load transfer
- Overlapping galvanized sheet metal jacket
- Load distribution plate integral with bottom jacket
- Other I.D.'s and/or O.D.'s available on request

Performance test results on file:

Available upon request

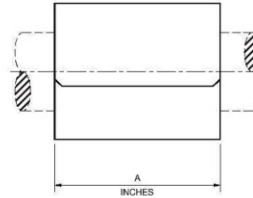
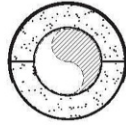
Material Data:

- **A8400:** Applicable PSI spec. doc.: No. 205
- **Insulation:** Calcium silicate asbestos-free, treated with water repellant
- **Jackets:** Galvanized steel ASTM A-653
- **Structural Inserts:** High-density calcium silicate asbestos-free, treated with water repellant
- **Load distribution Plate:** Carbon steel ASTM A-36
- **Coating:** Primer coated or hot-dip galvanized
Other coatings available upon request
- **Glue:** Industrial contact adhesive

Formal submittal sheets available

Model A9000 Insulated Pipe Support

Heavy Duty for use
with rod hangers



Hardware sold separately

Note: For higher load ratings, see D1000, D3000

The load ratings represent average values obtained in accordance with accepted methods and are subject to normal manufacturing variations. Dimensions and ratings are subject to change without notice.

a) To develop maximum load rating use band, ring or clevis hanger with manufacturer's load rating equal to or greater than values shown in Table I.

Pipe Size	MAXIMUM LOAD RTG. (LBS)
	In Ring or Clevis Hanger (a)
1/2	50
3/4	55
1	80
1 1/4	100
1 1/2	130
2	175
2 1/2	250
3	300
3 1/2	350
4	400
5	550
6	600
8	900
10	1200
12	1450
14	1650
16	1900
18	2150
20	2400
24	2750

TABLE I

Contact factory for other dimensions, temperatures, and loads. Available in all insulation thicknesses.

Iron Pipe Size	Insulation Thickness																Copper Tubing Size O.D.						
	1/2		3/4		1		1 1/2		2		2 1/2		3		3 1/2			4					
	A	B	A	B	A	B	A	B	A	B	A	B	A	B	A	B		A	B				
1/2 - 1 1/2	4	24	4	24	4	24	4	24	4	24	4	24	6	24	6	24	6	24	6	24	5/8-1 5/8		
2	6	24	6	24	6	24	6	24	6	24	6	24	6	24	6	24	6	24	6	24	2 1/8		
2 1/2 - 4	6	20	6	20	6	20	6	20	6	20	6	20	9	20	9	20	9	20	9	20	9	20	2 5/8 - 4 1/8
5					6	20	6	20	6	20	6	20	9	20	9	20	9	20	9	20	9	20	5 1/8
6 - 7					6	20	6	20	6	20	6	20	9	16	9	16	9	16	9	16	9	16	6 1/8
8 - 10									9	16	9	16	9	16	9	16	9	16	9	16	9	16	8 1/8 - 10 1/8
12 - 18									12	16	12	16	12	16	12	16	12	16	12	16	12	16	12 1/8
20 - 24									18	16	18	16	18	16	18	16	18	16	18	16	18	16	

TABLE II "B" = gauge of sheet metal jacket (bottom jacket approx. 2 X ga. of top jacket)

Application:

Model A9000 is designed for use on:

- Hot water
- Steam
- Cold water
- Air
- Chilled water
- Gas
- Dual temperature
- Vacuum

Intended for installation on:

- Band, ring or clevis pipe hangers
- Flat surfaces, see A7000
- Pipe rolls, see A8000

Temperature Range:

Standard: +40°F to +1200°F CalSil Insulation

Note: Up to 1800°F available upon request.

Cryogenic: -275°F to +275°F Urethane Insulation.

Add U after the model number (i.e., A9000U)

Features:

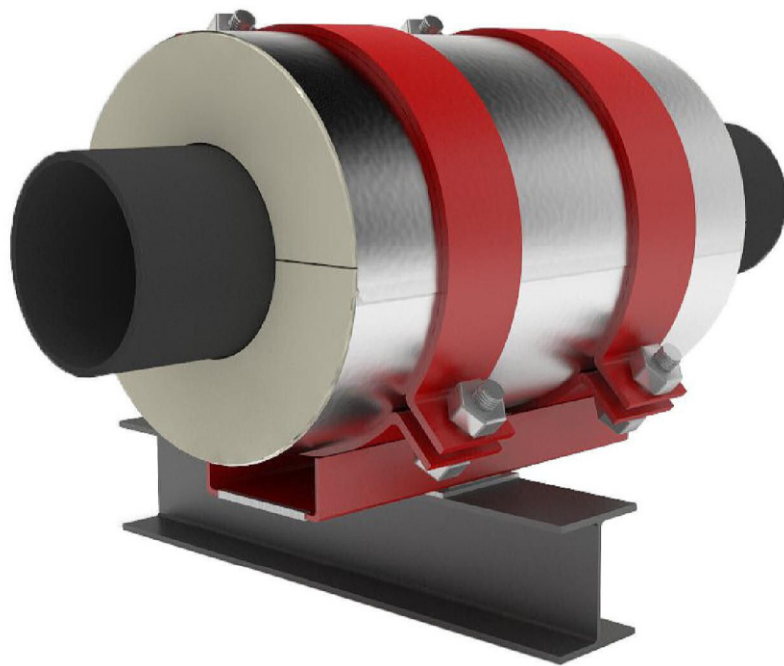
- Compact
- Easy installation
- Eliminates welding to pipe
- Overlapping galvanized sheet metal jacket
- Minimizes heat loss and/or condensation
- Insulating structural inserts for load transfer
- Copper tubing available
- Other I.D.'s and/or O.D.'s available on request

Performance test results on file:

Available upon request

Material Data:

- **A9000:** Applicable PSI spec. doc.: No. 205
 - **Insulation:** Calcium silicate asbestos-free, treated with water repellent
 - **Jackets:** Galvanized steel ASTM A-653
 - **Structural Inserts:** High-density calcium silicate asbestos-free, treated with water repellent
 - **Glue:** Industrial contact adhesive
- Formal submittal sheets available**



INTRODUCTION

SECTION "B"

PRE-INSULATED PIPE SUPPORTS - Base Mounted

APPLICATION – Heavy Industrial and Large HVAC Distribution Systems

Features:

- Accommodation of thermal movement
- Provision of lateral guide or restraint
- Minimization of side friction loads
- Wide range of maximum load requirements for each pipe size

Note: In each model number series (for example: B1000 through B1300 Series), the higher the model number, the higher the load rating.

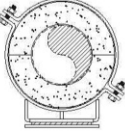
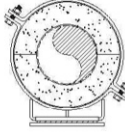
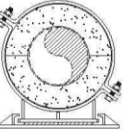
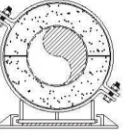
Models B1000 - B1300	Sliding supports free to travel axially and laterally.
Models B2000 - B2300	Same as B1000 - B1300 except can accommodate greater axial travel.
Models B3000 - B3300	Sliding supports with lateral guides.
Models B4000 - B4300	Same as B3000 - B3300 except can accommodate greater axial travel.
Models B5000 - B5300	Same as B1000 - B1300 except can accommodate greater lateral travel.
Models B6000 - B6300	Same as B2000 - B2300 except can accommodate greater lateral travel.
Models B7000 - B7300	Same as B3000 - B3300 except with reduced vertical load ratings to allow greater lateral loads. Minimum side friction is assured by the addition of lateral slide pads.
Models B8000 - B8300	Same as B4000 - B4300 except with reduced vertical load ratings to allow greater lateral loads. Minimum side friction is assured by the addition of lateral slide pads.

To meet special thermal movement requirements, provided supports that have accommodated axial travels in excess of five (5) feet. By modifying our standard pipe support concept with combinations of structural insulation materials, steel base and strap design, and slide plate configuration, we can readily and economically respond to virtually any pipe support requirement.

Please acquaint yourself with the selection guide at the front of this catalog and the section index on the page following this introduction, for assistance in determining the most appropriate support for your application.


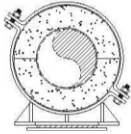
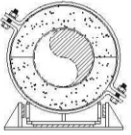
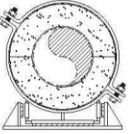
PRE-INSULATED PIPE SUPPORTS

HEAVY INDUSTRIAL - BASE MOUNTED

MODEL	PIPE SIZE RANGE	TRAVEL (INCHES) +/-		LATERAL GUIDE	DUTY
		AXIAL	LATERAL		
					
B1000	1/2 - 42	1.5	1.5	NO	MEDIUM
B1100	1/2 - 42	1.5	1.5	NO	HEAVY
B1200	1/2 - 42	1.5	1.5	NO	HEAVIER
B1300	1/2 - 42	1.5	1.5	NO	HEAVIEST
					
B2000	1/2 - 42	4.5	1.5	NO	MEDIUM
B2100	1/2 - 42	4.5	1.5	NO	HEAVY
B2200	1/2 - 42	4.5	1.5	NO	HEAVIER
B2300	1/2 - 42	4.5	1.5	NO	HEAVIEST
					
B3000	1/2 - 42	1.5	0	YES	MEDIUM
B3100	1/2 - 42	1.5	0	YES	HEAVY
B3200	1/2 - 42	1.5	0	YES	HEAVIER
B3300	1/2 - 42	1.5	0	YES	HEAVIEST
					
B4000	1/2 - 42	4.5	0	YES	MEDIUM
B4100	1/2 - 42	4.5	0	YES	HEAVY
B4200	1/2 - 42	4.5	0	YES	HEAVIER
B4300	1/2 - 42	4.5	0	YES	HEAVIEST

PRE-INSULATED PIPE SUPPORTS

HEAVY INDUSTRIAL - BASE MOUNTED

MODEL	PIPE SIZE RANGE	TRAVEL (INCHES) +/-		LATERAL GUIDE	DUTY	
		AXIAL	LATERAL			
						
	B5000	1/2 - 42	1.5	1.5 - 4.5	NO	MEDIUM
	B5100	1/2 - 42	1.5	1.5 - 4.5	NO	HEAVY
	B5200	1/2 - 42	1.5	1.5 - 4.5	NO	HEAVIER
B5300	1/2 - 42	1.5	1.5 - 4.5	NO	HEAVIEST	
						
	B6000	1/2 - 42	4.5	1.5 - 4.5	NO	MEDIUM
	B6100	1/2 - 42	4.5	1.5 - 4.5	NO	HEAVY
	B6200	1/2 - 42	4.5	1.5 - 4.5	NO	HEAVIER
B6300	1/2 - 42	4.5	1.5 - 4.5	NO	HEAVIEST	
						
	B7000	1/2 - 42	1.5	0	YES	MEDIUM
	B7100	1/2 - 42	1.5	0	YES	HEAVY
	B7200	1/2 - 42	1.5	0	YES	HEAVIER
B7300	1/2 - 42	1.5	0	YES	HEAVIEST	
						
	B8000	1/2 - 42	4.5	0	YES	MEDIUM
	B8100	1/2 - 42	4.5	0	YES	HEAVY
	B8200	1/2 - 42	4.5	0	YES	HEAVIER
B8300	1/2 - 42	4.5	0	YES	HEAVIEST	

Section "B" Index

**THE FOLLOWING TABLE ILLUSTRATES
BOTTOM-OF-PIPE TO TOP-OF-STEEL DIMENSIONS
(DIMENSION "B") FOR "B" MODEL PIPE SUPPORTS AND "C" MODEL PIPE ANCHORS FOR
INTERMEDIATE INSULATION THICKNESS**

PIPE SIZE	INSULATION THICKNESS											
	3 1/2	4 1/2	5 1/2	6	6 1/2	7	7 1/2	8	8 1/2	9	9 1/2	10
3	6	6	8	8	8	10	12	12	12	12	13	14
3 1/2	6	6	8	8	8	10	12	12	12	12	13	14
4	6	6	8	8	8	10	12	12	12	12	13	14
5	6	6	8	8	8	10	12	12	12	12	13	14
6	6	6	8	8	8	10	12	12	12	12	13	14
8	6	8	8	8	10	10	12	12	12	12	13	14
10	6	8	8	8	10	10	12	12	12	12	13	14
12	6	8	8	8	10	10	12	12	12	12	13	14
14	6	8	8	8	10	10	12	12	12	12	13	14
16	6	8	8	10	10	10	12	12	12	12	13	14
18	6	8	8	10	10	10	12	12	12	12	13	14
20	6	8	8	10	10	10	12	12	12	12	13	14
24	6	8	8	10	10	10	12	12	12	12	13	14
30	8	8	10	10	10	10	12	12	12	12	13	14
36	8	8	10	10	10	10	12	12	12	12	13	14
42	8	8	10	10	10	10	12	12	12	12	13	14

COMMENTS:

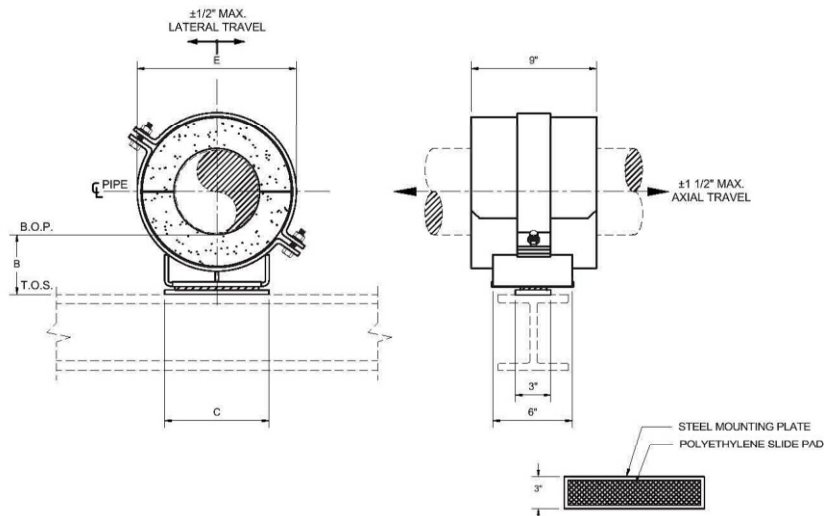
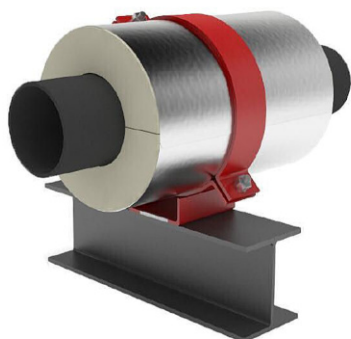
The insulation thickness shown on the Product Data Sheets in Sections "B" and "C" are in even 1" increments. The table shown here provides Bottom-of-Pipe to Top-of-Steel dimensions ("B" Dimensions) for 3 1/2, 4 1/2, 5 1/2, 6, 6 1/2, 7, 7 1/2, 8, 8 1/2, 9, 9 1/2, and 10 insulation thicknesses. Check with factory if you require a "B" dimension other than those shown in this table.

TO ORDER, specify:

- | | |
|-------------------------|---------|
| 1. Quantity | 20 |
| 2. Pipe Size & Type | 18" IPS |
| 3. Insulation Thickness | 2" |
| 4. Model Number | B1000 |

EXAMPLE: (20) 18 x 2 B1000

Model B1000 Sliding Insulated Pipe Support Heavy Duty, Base Mounted



Contact factory for other dimensional, temperature, load, or axial travel requirements. Available in all insulation thickness.

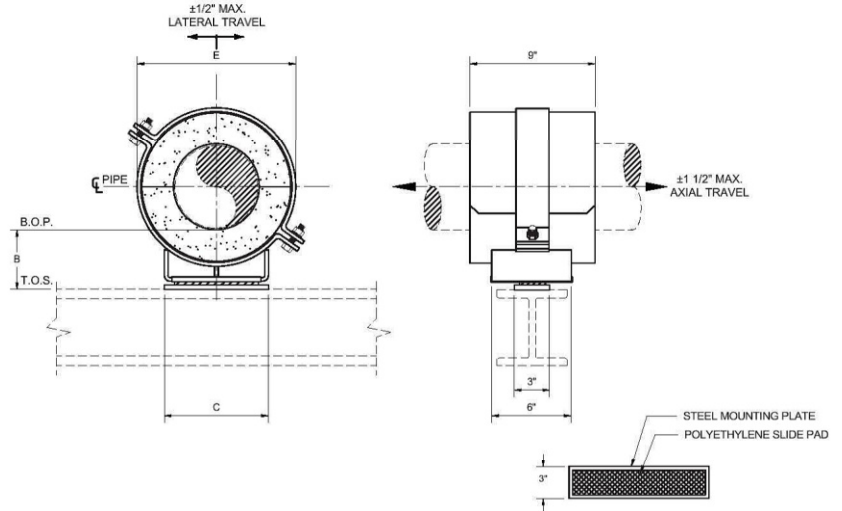
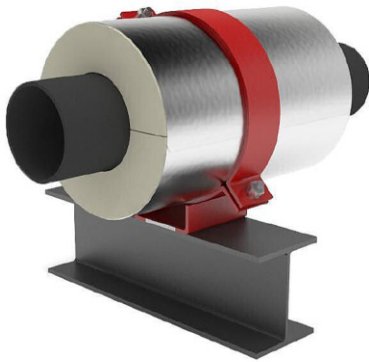
The load ratings represent average values obtained in accordance with accepted test methods and are subject to normal manufacturing variations. Dimensions and ratings are subject to change without notice.

Note: For higher load ratings, see: B1100 - For greater axial travel, see: B2000 - For lateral restraint, see: B3000 - For lateral travel, see: B5000.

Pipe Size	Vert. Load	Insul. Thk. = 1"			Insul. Thk. = 1-1/2"			Insul. Thk. = 2"			Insul. Thk. = 2-1/2"			Insul. Thk. = 3"			Insul. Thk. = 4"			Insul. Thk. = 5"		
		B	C	E	B	C	E	B	C	E	B	C	E	B	C	E	B	C	E	B	C	E
1/2	140	4	1.5	3.25	4	2	4.375	4	2.5	5.375	4	4	7	6	4.5	8	6	6.5	10	8	8	12.125
3/4	175	4	1.5	3.25	4	2	4.375	4	2.5	5.375	4	4	7	6	4.5	8	6	6.5	10	8	8	12.125
1	225	4	2	3.875	4	2.5	4.875	4	3	5.937	4	4	7	6	4.5	8	6	6.5	10	8	8	12.25
1 1/2	325	4	2	4.375	4	2.5	5.5	4	4	7	4	4.5	8	6	5.5	9	6	7.5	11.25	8	9	13.25
2	375	4	2.5	5	4	3	6.0625	4	4	7	4	4.5	8	6	5.5	9.125	6	7.5	11.25	8	9	13.25
2 1/2	460	4	2.5	5.5	4	4	7.125	4	4.5	8.125	4	5.5	9.125	6	6.5	10.125	6	8	12.25	8	9.5	14.5
3	530	4	3	6.062	4	4	7.125	4	4.5	8.125	4	5.5	9.125	6	6.5	10.125	6	8	12.375	8	9.5	14.625
4	840	4	4	7.25	4	4.5	8.25	4	5.5	9.25	4	6.5	10.25	6	7.5	11.375	6	9	13.375	8	10.5	15.625
5	1050	4	4.5	8.25	4	5.5	9.25	4	6.5	10.25	4	7.5	11.375	6	8	12.375	6	9.5	14.875	8	11	16.875
6	1275	4	5.5	9.25	4	6.5	10.25	4	7.5	11.375	4	8	12.625	6	9	13.625	6	10.5	15.875	8	12	17.875
8	1700	4	7.5	11.625	4	8	12.625	4	9	13.625	6	9.5	14.875	6	10.5	15.875	6	12	17.875	8	13	20.125
10	2000	4	9	13.625	4	9.5	14.875	4	10.5	15.875	6	11	16.875	6	12	18.125	6	13	20.125	8	14.5	22.125
12	2200	4	10.5	16.125	4	11	17.125	4	12	18.125	6	12.5	19.125	6	13	20.125	6	14.5	22.125	8	16	24.125
14	2500	4	11	17.125	4	12	18.125	4	12.5	19.125	6	13	20.125	6	14	21.125	6	15.5	23.125	8	16.5	25.125
16	2900	4	12.5	19.125	4	13	20.125	6	14	21.375	6	14.5	22.375	6	15.5	23.375	8	16.5	25.375	8	18	27.375
18	3200	4	14	21.375	4	14.5	22.375	6	15.5	23.375	6	16	24.375	6	16.5	25.375	8	18	27.375	8	19.5	29.375
20	3400	4	15.5	23.375	4	16	24.375	6	16.5	25.375	6	17.5	26.375	6	18	27.375	8	19.5	29.375	8	21	31.375
24	3600	4	18	27.375	4	19	28.375	6	19.5	29.375	6	20.5	30.375	6	21	31.375	8	22.5	33.375	8	24	35.375
30	4700	4	22.5	33.625	6	23	34.625	6	24	35.625	6	24.5	36.625	6	25	37.625	8	26.5	39.625	8	28	41.625
36	5500	4	26.5	39.625	6	27.5	41.125	6	28	42.125	6	28.5	43.125	6	29.5	44.125	8	31	46.125	8	32.5	48.125
42	6200	4	31	46.125	6	31.5	47.125	6	32.5	48.125	6	33	49.125	6	33.5	50.125	8	35	52.125	8	36.5	54.125

<p>Application:</p> <p>Model B1000 is designed for use on:</p> <ul style="list-style-type: none"> · Hot water · Cold water · Chilled water · Dual temperature · Steam · Air · Gas · Vacuum <p>Intended for installation on:</p> <ul style="list-style-type: none"> · Flat surfaces <p>Temperature Range: Standard: +40°F to +1200°F CalSil Insulation Note: Up to 1800°F available upon request. Cryogenic: -275°F to +275°F Urethane Insulation. Add U after the model number (i.e., B1000U)</p>	<p>Features:</p> <ul style="list-style-type: none"> · All pipe sizes · Easy installation · Eliminates welding to pipe · Overlapping galvanized sheet metal jacket · Insulating structural inserts for load transfer · Stainless steel to UHMW polyethylene slide · Other I.D.'s and/or O.D.'s available on request · Factory mounted polyethylene slide pad on steel mounting plate <p>Performance test results on file: Available upon request</p>	<p>Material Data:</p> <ul style="list-style-type: none"> · B1000: Applicable PSI spec. doc.: No. 209 · Insulation: Calcium silicate asbestos-free, treated with water repellant · Jackets: Galvanized steel ASTM A-653 · Glue: Industrial contact adhesive · Structural Inserts: High-density calcium silicate asbestos free, treated with water repellant · Steel Straps/Base: Carbon Steel ASTM A-36 · Fasteners: ASTM A-307 plated · Slide Pad: UHMW Polyethylene (PTFE optional) · Coating: Primer coated or hot dipped galvanized <p>Other coatings available upon request</p> <p>Formal Submittal Sheets available</p>
---	---	--

Model B1100 Sliding Insulated Pipe Support Heavy Duty, Base Mounted



Contact factory for other dimensional, temperature, load, or axial travel requirements. Available in all insulation thickness.

The load ratings represent average values obtained in accordance with accepted test methods and are subject to normal manufacturing variations. Dimensions and ratings are subject to change without notice.

Note: For higher load ratings, see: B1200 - For greater axial travel, see: B2100 - For lateral restraint, see: B3100 - For lateral travel, see: B5100.

Pipe Size	Vert. Load	Insul. Thk. = 1"			Insul. Thk. = 1-1/2"			Insul. Thk. = 2"			Insul. Thk. = 2-1/2"			Insul. Thk. = 3"			Insul. Thk. = 4"			Insul. Thk. = 5"		
		B	C	E	B	C	E	B	C	E	B	C	E	B	C	E	B	C	E	B	C	E
1/2	280	4	1.5	3.25	4	2	4.375	4	2.5	5.375	4	4	7	6	4.5	8	6	6.5	10	8	8	12.125
3/4	350	4	1.5	3.25	4	2	4.375	4	2.5	5.375	4	4	7	6	4.5	8	6	6.5	10	8	8	12.25
1	450	4	2	3.875	4	2.5	5	4	3	6.062	4	4	7	6	4.5	8	6	6.5	10	8	8	12.25
1 1/2	650	4	2	4.5	4	2.5	5.5	4	4	7.125	4	4.5	8.125	6	5.5	9.125	6	7.5	11.25	8	9	13.25
2	750	4	2.5	5	4	3	6.0625	4	4	7.125	4	4.5	8.125	6	5.5	9.125	6	7.5	11.25	8	9	13.25
2 1/2	920	4	2.5	5.5	4	4	7.125	4	4.5	8.125	4	5.5	9.125	6	6.5	10.125	6	8	12.25	8	9.5	14.5
3	1060	4	3	6.187	4	4	7.125	4	4.5	8.125	4	5.5	9.125	6	6.5	10.125	6	8	12.375	8	9.5	14.625
4	1680	4	4	7.25	4	4.5	8.25	4	5.5	9.25	4	6.5	10.25	6	7.5	11.375	6	9	13.375	8	10.5	15.625
5	2100	4	4.5	8.5	4	5.5	9.5	4	6.5	10.5	4	7.5	11.625	6	8	12.625	6	9.5	14.875	8	11	16.875
6	2550	4	5.5	9.5	4	6.5	10.5	4	7.5	11.625	4	8	12.625	6	9	13.625	6	10.5	15.875	8	12	17.875
8	3400	4	7.5	11.625	4	8	12.625	4	9	13.625	6	9.5	14.875	6	10.5	15.875	6	12	18.125	8	13	20.125
10	4000	4	9	13.875	4	9.5	15.125	4	10.5	16.125	6	11	17.125	6	12	18.125	6	13	20.125	8	14.5	22.125
12	4400	4	10.5	16.125	4	11	17.125	4	12	18.125	6	12.5	19.125	6	13	20.125	6	14.5	22.125	8	16	24.125
14	5000	4	11	17.125	4	12	18.125	4	12.5	19.125	6	13	20.125	6	14	21.125	6	15.5	23.125	8	16.5	25.125
16	5800	4	12.5	19.375	4	13	20.375	6	14	21.375	6	14.5	22.375	6	15.5	23.375	8	16.5	25.375	8	18	27.375
18	6400	4	14	21.375	4	14.5	22.375	6	15.5	23.375	6	16	24.375	6	16.5	25.375	8	18	27.375	8	19.5	29.375
20	6800	4	15.5	23.375	4	16	24.375	6	16.5	25.375	6	17.5	26.375	6	18	27.375	8	19.5	29.375	8	21	31.375
24	7200	4	18	27.375	4	19	28.375	6	19.5	29.375	6	20.5	30.375	6	21	31.375	8	22.5	33.375	8	24	35.375
30	9400	4	22.5	33.625	6	23	34.625	6	24	35.625	6	24.5	36.625	6	25	37.625	8	26.5	39.625	8	28	41.625
36	11000	4	26.5	40.125	6	27.5	41.125	6	28	42.125	6	28.5	43.125	6	29.5	44.125	8	31	46.125	8	32.5	48.125
42	12400	4	31	46.125	6	31.5	47.125	6	32.5	48.125	6	33	49.125	6	33.5	50.125	8	35	52.125	8	36.5	54.125

Application:

Model B1100 is designed for use on:

- Hot water
- Cold water
- Chilled water
- Dual temperature
- Steam
- Air
- Gas
- Vacuum

Intended for installation on:

- Flat surfaces

Temperature Range:

Standard: +40°F to +1200°F CalSil Insulation

Note: Up to 1800°F available upon request.

Cryogenic: -275°F to +275°F Urethane Insulation.

Add U after the model number (i.e., B1100U)

Features:

- All pipe sizes
- Easy installation
- Eliminates welding to pipe
- Overlapping galvanized sheet metal jacket
- Insulating structural inserts for load transfer
- Stainless steel to UHMW polyethylene slide
- Other I.D.'s and/or O.D.'s available on request
- Factory mounted polyethylene slide pad on steel mounting plate

Performance test results on file:

Available upon request.

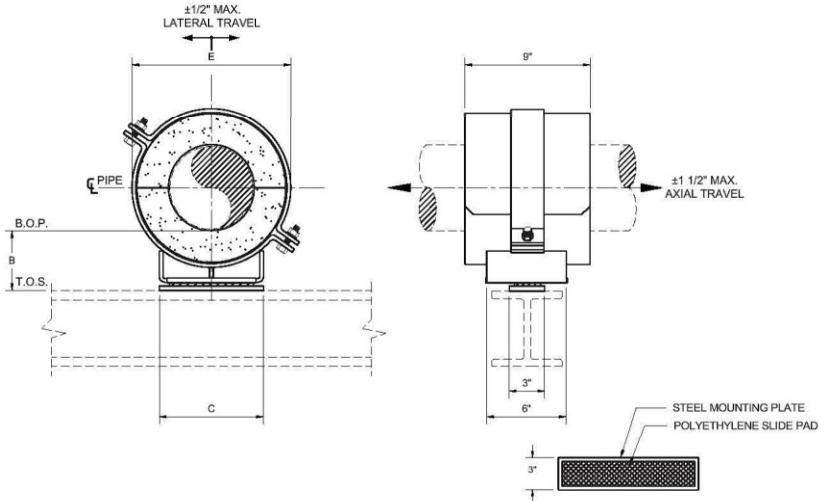
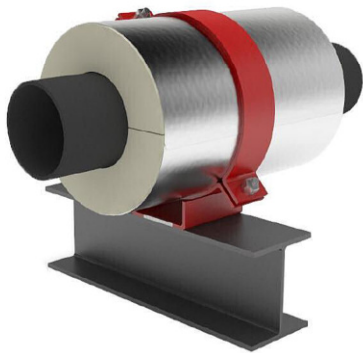
Material Data:

- **B1100:** Applicable PSI spec. doc.: No. 209.
 - **Insulation:** Calcium silicate asbestos-free, treated with water repellant.
 - **Jackets:** Galvanized steel ASTM A-653.
 - **Glue:** Industrial contact adhesive
 - **Structural Inserts:** High-density calcium silicate asbestos free, treated with water repellant.
 - **Steel Straps/Base:** Carbon steel ASTM A-36.
 - **Fasteners:** ASTM A-307 plated.
 - **Slide Pad:** UHMW Polyethylene (PTFE optional).
 - **Coating:** Primer coated or hot dipped galvanized.
- Other coatings available upon request.

Formal submittal sheets available

Model B1200 Sliding Insulated Pipe Support

Heavy Duty,
Base Mounted



Contact factory for other dimensional, temperature, load, or axial travel requirements. Available in all insulation thickness.

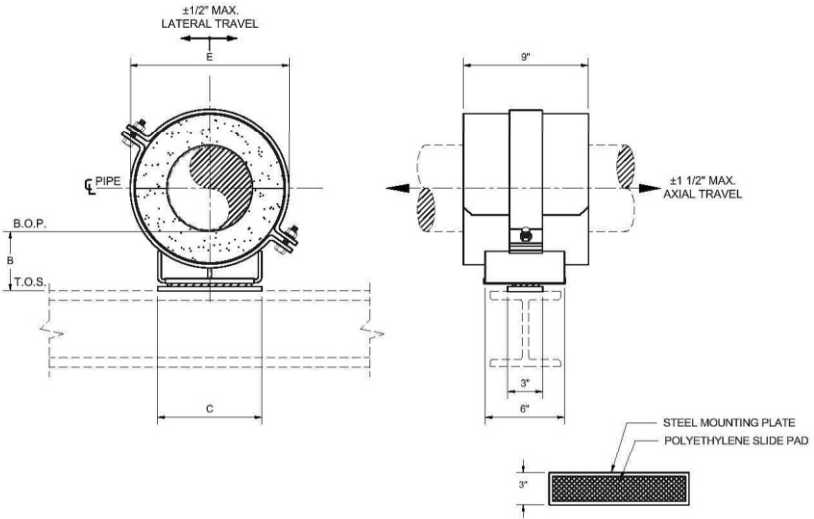
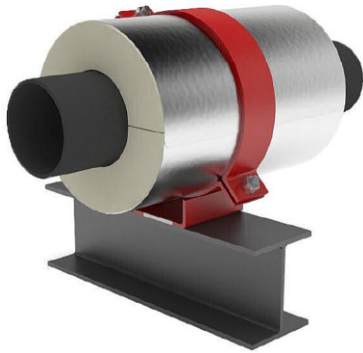
The load ratings represent average values obtained in accordance with accepted test methods and are subject to normal manufacturing variations. Dimensions and ratings are subject to change without notice.

Note: For higher load ratings, see: B1300 - For greater axial travel, see: B2200 - For lateral restraint, see: B3200 - For lateral travel, see: B5200.

Pipe Size	Vert. Load	Insul. Thk. = 1"			Insul. Thk. = 1-1/2"			Insul. Thk. = 2"			Insul. Thk. = 2-1/2"			Insul. Thk. = 3"			Insul. Thk. = 4"			Insul. Thk. = 5"		
		B	C	E	B	C	E	B	C	E	B	C	E	B	C	E	B	C	E	B	C	E
1/2	400	4	1.5	3.25	4	2	4.375	4	2.5	5.375	4	4	7	6	4.5	8	6	6.5	10	8	8	12.125
3/4	500	4	1.5	3.25	4	2	4.375	4	2.5	5.375	4	4	7	6	4.5	8	6	6.5	10	8	8	12.25
1	650	4	2	4	4	2.5	5	4	3	6.062	4	4	7.125	6	4.5	8.125	6	6.5	10.125	8	8	12.25
1 1/2	950	4	2	4.5	4	2.5	5.5	4	4	7.125	4	4.5	8.125	6	5.5	9.125	6	7.5	11.25	8	9	13.25
2	1100	4	2.5	5	4	3	6.1875	4	4	7.125	4	4.5	8.125	6	5.5	9.125	6	7.5	11.25	8	9	13.25
2 1/2	1350	4	2.5	5.5	4	4	7.125	4	4.5	8.125	4	5.5	9.125	6	6.5	10.125	6	8	12.25	8	9.5	14.5
3	1600	4	3	6.187	4	4	7.125	4	4.5	8.125	4	5.5	9.125	6	6.5	10.125	6	8	12.375	8	9.5	14.625
4	2500	4	4	7.25	4	4.5	8.25	4	5.5	9.25	4	6.5	10.25	6	7.5	11.375	6	9	13.375	8	10.5	15.625
5	3100	4	4.5	8.5	4	5.5	9.5	4	6.5	10.5	4	7.5	11.625	6	8	12.625	6	9.5	14.875	8	11	16.875
6	3800	4	5.5	9.5	4	6.5	10.5	4	7.5	11.625	4	8	12.625	6	9	13.625	6	10.5	15.875	8	12	17.875
8	5100	4	7.5	11.625	4	8	12.625	4	9	13.625	6	9.5	14.875	6	10.5	15.875	6	12	18.125	8	13	20.125
10	6000	4	9	13.875	4	9.5	15.125	4	10.5	16.125	6	11	17.125	6	12	18.125	6	13	20.125	8	14.5	22.125
12	6600	4	10.5	16.125	4	11	17.125	4	12	18.125	6	12.5	19.125	6	13	20.125	6	14.5	22.125	8	16	24.125
14	7500	4	11	17.125	4	12	18.125	4	12.5	19.125	6	13	20.125	6	14	21.125	6	15.5	23.125	8	16.5	25.125
16	8700	4	12.5	19.375	4	13	20.375	6	14	21.375	6	14.5	22.375	6	15.5	23.375	6	16.5	25.375	8	18	27.375
18	9600	4	14	21.375	4	14.5	22.375	6	15.5	23.375	6	16	24.375	6	16.5	25.375	6	18	27.375	8	19.5	29.375
20	10200	4	15.5	23.375	4	16	24.375	6	16.5	25.375	6	17.5	26.375	6	18	27.375	8	19.5	29.375	8	21	31.375
24	10800	4	18	27.375	4	19	28.375	6	19.5	29.375	6	20.5	30.375	6	21	31.375	8	22.5	33.375	8	24	35.375
30	14100	4	22.5	33.625	6	23	34.625	6	24	35.625	6	24.5	36.625	6	25	37.625	8	26.5	39.625	8	28	41.625
36	16500	4	26.5	40.125	6	27.5	41.125	6	28	42.125	6	28.5	43.125	6	29.5	44.125	8	31	46.125	8	32.5	48.125
42	18600	4	31	46.125	6	31.5	47.125	6	32.5	48.125	6	33	49.125	6	33.5	50.125	8	35	52.125	8	36.5	54.125

<p>Application:</p> <p>Model B1200 is designed for use on:</p> <ul style="list-style-type: none"> · Hot water · Cold water · Chilled water · Dual temperature · Steam · Air · Gas · Vacuum <p>Intended for installation on:</p> <ul style="list-style-type: none"> · Flat surfaces <p>Temperature Range: Standard: +40°F to +1200°F CalSil Insulation Note: Up to 1800°F available upon request. Cryogenic: -275°F to +275°F Urethane Insulation. Add U after the model number (i.e., B1200U)</p>	<p>Features:</p> <ul style="list-style-type: none"> · All pipe sizes · Easy installation · Eliminates welding to pipe · Overlapping galvanized sheet metal jacket · Insulating structural inserts for load transfer · Stainless steel to UHMW polyethylene slide · Other I.D.'s and/or O.D.'s available on request · Factory mounted polyethylene slide pad on steel mounting plate <p>Performance test results on site: Available upon request.</p>	<p>Material Data:</p> <ul style="list-style-type: none"> · B1200: Applicable PSI spec. doc.: No. 209. · Insulation: Calcium silicate asbestos-free, treated with water repellant. · Jackets: Galvanized steel ASTM A-653. · Glue: Industrial contact adhesive · Structural Inserts: High-density calcium silicate asbestos free, treated with water repellant. · Steel Straps/Base: Carbon steel ASTM A-36. · Fasteners: ASTM A-307 plated. · Slide Pad: UHMW Polyethylene (PTFE optional). · Coating: Primer coated or hot dipped galvanized <p>Other coatings available upon request</p> <p>Formal Submittal Sheets available</p>
---	--	---

Model B1300 Sliding Insulated Pipe Support Heavy Duty, Base Mounted



Contact factory for other dimensional, temperature, load, or axial travel requirements. Available in all insulation thickness.

The load ratings represent average values obtained in accordance with accepted test methods and are subject to normal manufacturing variations. Dimensions and ratings are subject to change without notice.

Note: For higher load ratings contact factory - For greater axial travel, see: B2300 - For lateral restraint, see: B3300 - For lateral travel, see: B5300.

Pipe Size	Vert. Load	Insul. Thk. = 1"			Insul. Thk. = 1-1/2"			Insul. Thk. = 2"			Insul. Thk. = 2-1/2"			Insul. Thk. = 3"			Insul. Thk. = 4"			Insul. Thk. = 5"		
		B	C	E	B	C	E	B	C	E	B	C	E	B	C	E	B	C	E	B	C	E
1/2	550	4	1.5	3.375	4	2	4.5	4	2.5	5.5	4	4	7.125	6	4.5	8.125	6	6.5	10.125	8	8	12.25
3/4	700	4	1.5	3.375	4	2	4.5	4	2.5	5.5	4	4	7.125	6	4.5	8.125	6	6.5	10.125	8	8	12.25
1	900	4	2	4	4	2.5	5	4	3	6.062	4	4	7.125	6	4.5	8.125	6	6.5	10.125	8	8	12.25
1 1/2	1300	4	2	4.5	4	2.5	5.5	4	4	7.125	4	4.5	8.125	6	5.5	9.125	6	7.5	11.25	8	9	13.25
2	1500	4	2.5	5	4	3	6.0625	4	4	7.125	4	4.5	8.125	6	5.5	9.125	6	7.5	11.25	8	9	13.25
2 1/2	1800	4	2.5	5.5	4	4	7.125	4	4.5	8.125	4	5.5	9.125	6	6.5	10.125	6	8	12.375	8	9.5	14.625
3	2100	4	3	6.187	4	4	7.125	4	4.5	8.125	4	5.5	9.125	6	6.5	10.125	6	8	12.375	8	9.5	14.625
4	3350	4	4	7.25	4	4.5	8.25	4	5.5	9.25	4	6.5	10.25	6	7.5	11.375	6	9	13.375	8	10.5	15.625
5	4200	4	4.5	8.5	4	5.5	9.5	4	6.5	10.5	4	7.5	11.625	6	8	12.625	6	9.5	14.875	8	11	16.875
6	5100	4	5.5	9.5	4	6.5	10.5	4	7.5	11.625	4	8	12.625	6	9	13.625	6	10.5	15.875	8	12	17.875
8	6800	4	7.5	11.625	4	8	12.625	4	9	13.625	6	9.5	14.875	6	10.5	15.875	6	12	18.125	8	13	20.125
10	8000	4	9	13.875	4	9.5	15.125	4	10.5	16.125	6	11	17.125	6	12	18.125	6	13	20.125	8	14.5	22.125
12	8800	4	10.5	16.125	4	11	17.125	4	12	18.125	6	12.5	19.125	6	13	20.125	6	14.5	22.125	8	16	24.125
14	10000	4	11	17.125	4	12	18.125	4	12.5	19.125	6	13	20.125	6	14	21.125	6	15.5	23.125	8	16.5	25.125
16	11600	4	12.5	19.375	4	13	20.375	6	14	21.375	6	14.5	22.375	6	15.5	23.375	8	16.5	25.375	8	18	27.375
18	12800	4	14	21.375	4	14.5	22.375	6	15.5	23.375	6	16	24.375	6	16.5	25.375	8	18	27.375	8	19.5	29.375
20	13600	4	15.5	23.375	4	16	24.375	6	16.5	25.375	6	17.5	26.375	6	18	27.375	8	19.5	29.375	8	21	31.375
24	14400	4	18	27.375	4	19	28.375	6	19.5	29.375	6	20.5	30.375	6	21	31.375	8	22.5	33.375	8	24	35.375
30	18800	4	22.5	33.625	6	23	34.625	6	24	35.625	6	24.5	36.625	6	25	37.625	8	26.5	39.625	8	28	41.625
36	22000	4	26.5	40.125	6	27.5	41.125	6	28	42.125	6	28.5	43.125	6	29.5	44.125	8	31	46.125	8	32.5	48.125
42	24800	4	31	46.125	6	31.5	47.125	6	32.5	48.125	6	33	49.125	6	33.5	50.125	8	35	52.125	8	36.5	54.125

Application:

Model B1300 is designed for use on:

- Hot water
- Cold water
- Chilled water
- Dual temperature
- Steam
- Air
- Gas
- Vacuum

Intended for installation on:

- Flat surfaces

Temperature Range:

Standard: +40°F to +1200°F CalSil Insulation

Note: Up to 1800°F available upon request.

Cryogenic: -275°F to +275°F Urethane Insulation.

Add U after the model number (i.e., B1300U)

Features:

- All pipe sizes
- Easy installation
- Eliminates welding to pipe
- Overlapping galvanized sheet metal jacket
- Insulating structural inserts for load transfer
- Stainless steel to UHMW polyethylene slide
- Other I.D.'s and/or O.D.'s available on request
- Factory mounted polyethylene slide pad on steel mounting plate

Performance test results on file:

Available upon request

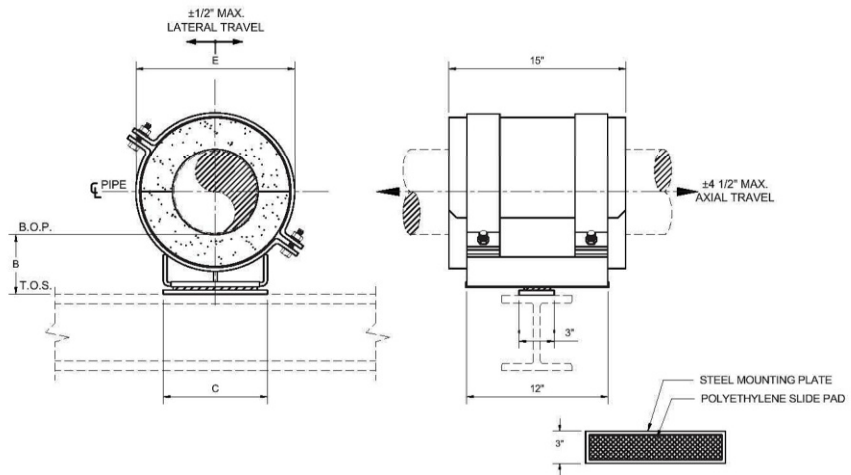
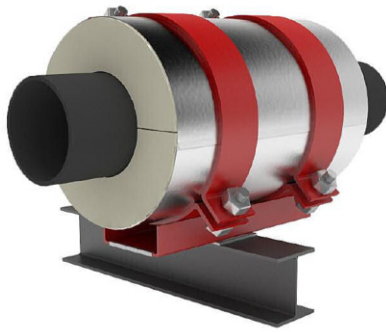
Material Data:

- **B1300:** Applicable PSI spec. doc.: No. 209
 - **Insulation:** Calcium Silicate asbestos-free, treated with water repellant
 - **Jackets:** Galvanized Steel ASTM A-653
 - **Glue:** Industrial contact adhesive
 - **Structural Inserts:** High-density calcium silicate asbestos free, treated with water repellant
 - **Steel Straps/Base:** Carbon Steel ASTM A-36
 - **Fasteners:** ASTM A-307 plated
 - **Slide Pad:** UHMW Polyethylene (PTFE optional)
 - **Coating:** Primer coated or hot dipped galvanized
- Other coatings available upon request

Formal submittal sheets available

Model B2000 Sliding Insulated Pipe Support

Heavy Duty,
Base Mounted



Contact factory for other dimensional, temperature, load, or axial travel requirements. Available in all insulation thickness.

The load ratings represent average values obtained in accordance with accepted test methods and are subject to normal manufacturing variations. Dimensions and ratings are subject to change without notice.

Note: For higher load ratings, see: B2100 - For lesser axial travel, see: B1000 - For lateral restraint, see: B4000 - For lateral travel, see: B6000.

Pipe Size	Vert. Load	Insul. Thk. = 1"			Insul. Thk. = 1-1/2"			Insul. Thk. = 2"			Insul. Thk. = 2-1/2"			Insul. Thk. = 3"			Insul. Thk. = 4"			Insul. Thk. = 5"		
		B	C	E	B	C	E	B	C	E	B	C	E	B	C	E	B	C	E	B	C	E
1/2	140	4	1.5	3.25	4	2	4.375	4	2.5	5.375	4	4	7	6	4.5	8	6	6.5	10	8	8	12.125
3/4	175	4	1.5	3.25	4	2	4.375	4	2.5	5.375	4	4	7	6	4.5	8	6	6.5	10	8	8	12.125
1	225	4	2	3.875	4	2.5	4.875	4	3	5.937	4	4	7	6	4.5	8	6	6.5	10	8	8	12.25
1 1/2	325	4	2	4.375	4	2.5	5.5	4	4	7	4	4.5	8	6	5.5	9	6	7.5	11.25	8	9	13.25
2	375	4	2.5	5	4	3	6.0625	4	4	7	4	4.5	8	6	5.5	9.125	6	7.5	11.25	8	9	13.25
2 1/2	460	4	2.5	5.5	4	4	7.125	4	4.5	8.125	4	5.5	9.125	6	6.5	10.125	6	8	12.25	8	9.5	14.5
3	530	4	3	6.062	4	4	7.125	4	4.5	8.125	4	5.5	9.125	6	6.5	10.125	6	8	12.375	8	9.5	14.625
4	840	4	4	7.25	4	4.5	8.25	4	5.5	9.25	4	6.5	10.25	6	7.5	11.375	6	9	13.375	8	10.5	15.625
5	1050	4	4.5	8.25	4	5.5	9.25	4	6.5	10.25	4	7.5	11.375	6	8	12.375	6	9.5	14.875	8	11	16.875
6	1275	4	5.5	9.25	4	6.5	10.25	4	7.5	11.375	4	8	12.625	6	9	13.625	6	10.5	15.875	8	12	17.875
8	1700	4	7.5	11.625	4	8	12.625	4	9	13.625	6	9.5	14.875	6	10.5	15.875	6	12	17.875	8	13	20.125
10	2000	4	9	13.625	4	9.5	14.875	4	10.5	15.875	6	11	16.875	6	12	18.125	6	13	20.125	8	14.5	22.125
12	2200	4	10.5	16.125	4	11	17.125	4	12	18.125	6	12.5	19.125	6	13	20.125	6	14.5	22.125	8	16	24.125
14	2500	4	11	17.125	4	12	18.125	4	12.5	19.125	6	13	20.125	6	14	21.125	6	15.5	23.125	8	16.5	25.125
16	2900	4	12.5	19.125	4	13	20.125	6	14	21.375	6	14.5	22.375	6	15.5	23.375	8	16.5	25.375	8	18	27.375
18	3200	4	14	21.375	4	14.5	22.375	6	15.5	23.375	6	16	24.375	6	16.5	25.375	8	18	27.375	8	19.5	29.375
20	3400	4	15.5	23.375	4	16	24.375	6	16.5	25.375	6	17.5	26.375	6	18	27.375	8	19.5	29.375	8	21	31.375
24	3600	4	18	27.375	4	19	28.375	6	19.5	29.375	6	20.5	30.375	6	21	31.375	8	22.5	33.375	8	24	35.375
30	4700	4	22.5	33.625	6	23	34.625	6	24	35.625	6	24.5	36.625	6	25	37.625	8	26.5	39.625	8	28	41.625
36	5500	4	26.5	39.625	6	27.5	41.125	6	28	42.125	6	28.5	43.125	6	29.5	44.125	8	31	46.125	8	32.5	48.125
42	6200	4	31	46.125	6	31.5	47.125	6	32.5	48.125	6	33	49.125	6	33.5	50.125	8	35	52.125	8	36.5	54.125

Application:

Model B2000 is designed for use on:

- Hot water
- Cold water
- Chilled water
- Dual temperature
- Steam
- Air
- Gas
- Vacuum

Intended for installation on:

- Flat surfaces

Temperature Range:
 Standard: +40°F to +1200°F CalSil Insulation
 Note: Up to 1800°F available upon request.
 Cryogenic: -275°F to +275°F Urethane Insulation.
 Add U after the model number (i.e., B2000U)

Features:

- All pipe sizes
- Easy installation
- Eliminates welding to pipe
- Overlapping galvanized sheet metal jacket
- Insulating structural inserts for load transfer
- Stainless steel to UHMW polyethylene slide
- Other I.D.'s and/or O.D.'s available on request
- Factory mounted polyethylene slide pad on steel mounting plate

Performance test results on file:
 Available upon request

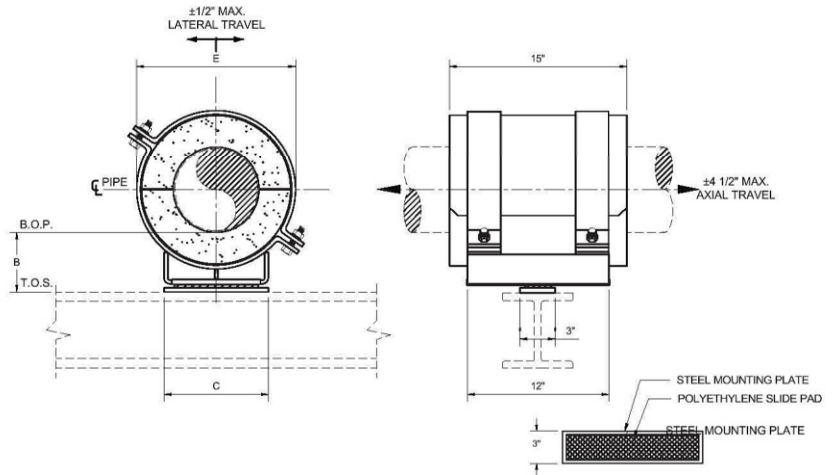
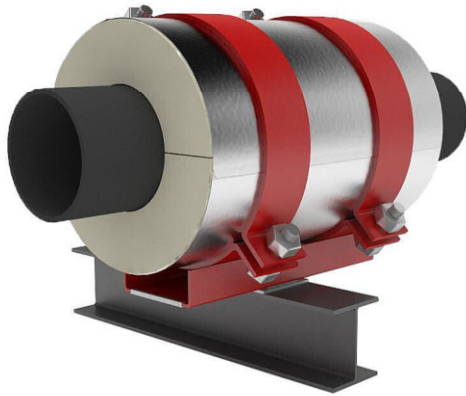
Material Data:

- B2000:** Applicable PSI spec. doc.: No. 209
- Insulation:** Calcium silicate asbestos-free, treated with water repellent
- Jackets:** Galvanized steel ASTM A-653
- Glue:** Industrial contact adhesive
- Structural Inserts:** High-density calcium silicate asbestos free, treated with water repellent
- Steel Straps/Base:** Carbon Steel ASTM A-36
- Fasteners:** ASTM A-307 plated
- Slide Pad:** UHMW Polyethylene (PTFE optional)
- Coating:** Primer coated or hot dipped galvanized

Other coatings available upon request

Formal submittal sheets available

Model B2100 Sliding Insulated Pipe Support Heavy Duty, Base Mounted



Contact factory for other dimensional, temperature, load, or axial travel requirements. Available in all insulation thickness.

The load ratings represent average values obtained in accordance with accepted test methods and are subject to normal manufacturing variations. Dimensions and ratings are subject to change without notice.

Note: For higher load ratings, see: B2200 - For lesser axial travel, see: B1100 - For lateral restraint, see: B4100 - For lateral travel, see: B6100.

Pipe Size	Vert. Load	Insul. Thk. = 1"			Insul. Thk. = 1-1/2"			Insul. Thk. = 2"			Insul. Thk. = 2-1/2"			Insul. Thk. = 3"			Insul. Thk. = 4"			Insul. Thk. = 5"		
		B	C	E	B	C	E	B	C	E	B	C	E	B	C	E	B	C	E	B	C	E
1/2	280	4	1.5	3.25	4	2	4.375	4	2.5	5.375	4	4	7	6	4.5	8	6	6.5	10	8	8	12.125
3/4	350	4	1.5	3.25	4	2	4.375	4	2.5	5.375	4	4	7	6	4.5	8	6	6.5	10	8	8	12.25
1	450	4	2	3.875	4	2.5	5	4	3	6.062	4	4	7	6	4.5	8	6	6.5	10	8	8	12.25
1 1/2	650	4	2	4.5	4	2.5	5.5	4	4	7.125	4	4.5	8.125	6	5.5	9.125	6	7.5	11.25	8	9	13.25
2	750	4	2.5	5	4	3	6.0625	4	4	7.125	4	4.5	8.125	6	5.5	9.125	6	7.5	11.25	8	9	13.25
2 1/2	920	4	2.5	5.5	4	4	7.125	4	4.5	8.125	4	5.5	9.125	6	6.5	10.125	6	8	12.25	8	9.5	14.5
3	1060	4	3	6.187	4	4	7.125	4	4.5	8.125	4	5.5	9.125	6	6.5	10.125	6	8	12.375	8	9.5	14.625
4	1680	4	4	7.25	4	4.5	8.25	4	5.5	9.25	4	6.5	10.25	6	7.5	11.375	6	9	13.375	8	10.5	15.625
5	2100	4	4.5	8.5	4	5.5	9.5	4	6.5	10.5	4	7.5	11.625	6	8	12.625	6	9.5	14.875	8	11	16.875
6	2550	4	5.5	9.5	4	6.5	10.5	4	7.5	11.625	4	8	12.625	6	9	13.625	6	10.5	15.875	8	12	17.875
8	3400	4	7.5	11.625	4	8	12.625	4	9	13.625	6	9.5	14.875	6	10.5	15.875	6	12	18.125	8	13	20.125
10	4000	4	9	13.875	4	9.5	15.125	4	10.5	16.125	6	11	17.125	6	12	18.125	6	13	20.125	8	14.5	22.125
12	4400	4	10.5	16.125	4	11	17.125	4	12	18.125	6	12.5	19.125	6	13	20.125	6	14.5	22.125	8	16	24.125
14	5000	4	11	17.125	4	12	18.125	4	12.5	19.125	6	13	20.125	6	14	21.125	6	15.5	23.125	8	16.5	25.125
16	5800	4	12.5	19.375	4	13	20.375	6	14	21.375	6	14.5	22.375	6	15.5	23.375	8	16.5	25.375	8	18	27.375
18	6400	4	14	21.375	4	14.5	22.375	6	15.5	23.375	6	16	24.375	6	16.5	25.375	8	18	27.375	8	19.5	29.375
20	6800	4	15.5	23.375	4	16	24.375	6	16.5	25.375	6	17.5	26.375	6	18	27.375	8	19.5	29.375	8	21	31.375
24	7200	4	18	27.375	4	19	28.375	6	19.5	29.375	6	20.5	30.375	6	21	31.375	8	22.5	33.375	8	24	35.375
30	9400	4	22.5	33.625	6	23	34.625	6	24	35.625	6	24.5	36.625	6	25	37.625	8	26.5	39.625	8	28	41.625
36	11000	4	26.5	40.125	6	27.5	41.125	6	28	42.125	6	28.5	43.125	6	29.5	44.125	8	31	46.125	8	32.5	48.125
42	12400	4	31	46.125	6	31.5	47.125	6	32.5	48.125	6	33	49.125	6	33.5	50.125	8	35	52.125	8	36.5	54.125

Application:

Model B2100 is designed for use on:

- Hot water
- Cold water
- Chilled water
- Dual temperature
- Steam
- Air
- Gas
- Vacuum

Intended for installation on:

- Flat surfaces

Temperature Range:

Standard: +40°F to +1200°F CalSil Insulation

Note: Up to 1800°F available upon request.

Cryogenic: -275°F to +275°F Urethane Insulation.

Add U after the model number (i.e., B2100U)

Features:

- All pipe sizes
- Easy installation
- Eliminates welding to pipe
- Overlapping galvanized sheet metal jacket
- Insulating structural inserts for load transfer
- Stainless steel to UHMW polyethylene slide
- Other I.D.'s and/or O.D.'s available on request
- Factory mounted polyethylene slide pad on steel mounting plate

Performance test results on file:

Available upon request.

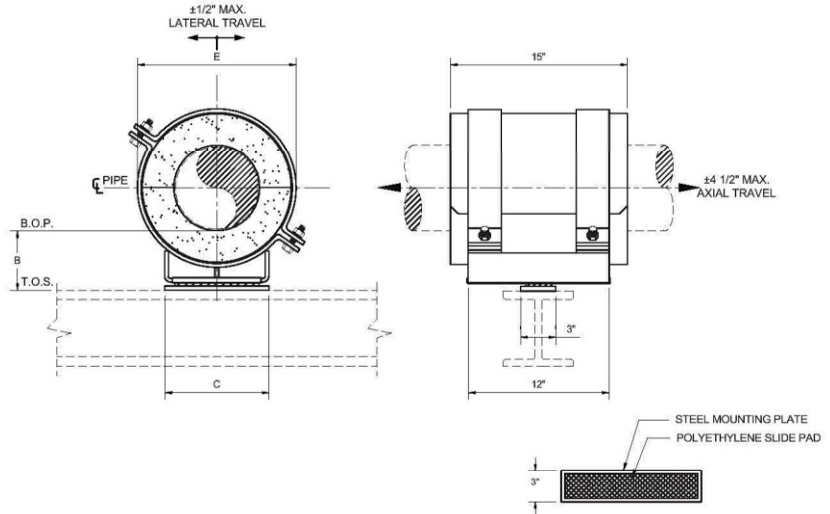
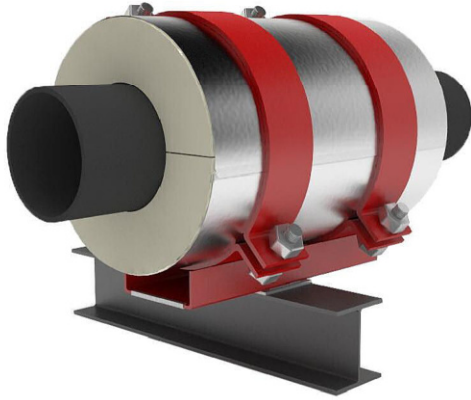
Material Data:

- **B2100:** Applicable PSI spec. doc.: No. 209
 - **Insulation:** Calcium silicate asbestos-free, treated with water repellant
 - **Jackets:** Galvanized steel ASTM A-653
 - **Glue:** Industrial contact adhesive
 - **Structural Inserts:** High-density calcium silicate asbestos free, treated with water repellant
 - **Steel Straps/Base:** Carbon Steel ASTM A-36
 - **Fasteners:** ASTM A-307 plated
 - **Slide Pad:** UHMW Polyethylene (PTFE optional)
 - **Coating:** Primer coated or hot dipped galvanized
- Other coatings available upon request

Formal submittal sheets available

Model B2200 Sliding Insulated Pipe Support

Heavy Duty,
Base Mounted



Contact factory for other dimensional, temperature, load, or axial travel requirements. Available in all insulation thickness.

The load ratings represent average values obtained in accordance with accepted test methods and are subject to normal manufacturing variations. Dimensions and ratings are subject to change without notice.

Note: For higher load ratings, see: B2300 - For lesser axial travel, see: B1200 - For lateral restraint, see: B4200 - For lateral travel, see: B6200.

Pipe Size	Vert. Load	Insul. Thk. = 1"			Insul. Thk. = 1-1/2"			Insul. Thk. = 2"			Insul. Thk. = 2-1/2"			Insul. Thk. = 3"			Insul. Thk. = 4"			Insul. Thk. = 5"		
		B	C	E	B	C	E	B	C	E	B	C	E	B	C	E	B	C	E	B	C	E
1/2	400	4	1.5	3.25	4	2	4.375	4	2.5	5.375	4	4	7	6	4.5	8	6	6.5	10	8	8	12.125
3/4	500	4	1.5	3.25	4	2	4.375	4	2.5	5.375	4	4	7	6	4.5	8	6	6.5	10	8	8	12.25
1	650	4	2	4	4	2.5	5	4	3	6.062	4	4	7.125	6	4.5	8.125	6	6.5	10.125	8	8	12.25
1 1/2	950	4	2	4.5	4	2.5	5.5	4	4	7.125	4	4.5	8.125	6	5.5	9.125	6	7.5	11.25	8	9	13.25
2	1100	4	2.5	5	4	3	6.1875	4	4	7.125	4	4.5	8.125	6	5.5	9.125	6	7.5	11.25	8	9	13.25
2 1/2	1350	4	2.5	5.5	4	4	7.125	4	4.5	8.125	4	5.5	9.125	6	6.5	10.125	6	8	12.25	8	9.5	14.5
3	1600	4	3	6.187	4	4	7.125	4	4.5	8.125	4	5.5	9.125	6	6.5	10.125	6	8	12.375	8	9.5	14.625
4	2500	4	4	7.25	4	4.5	8.25	4	5.5	9.25	4	6.5	10.25	6	7.5	11.375	6	9	13.375	8	10.5	15.625
5	3100	4	4.5	8.5	4	5.5	9.5	4	6.5	10.5	4	7.5	11.625	6	8	12.625	6	9.5	14.875	8	11	16.875
6	3800	4	5.5	9.5	4	6.5	10.5	4	7.5	11.625	4	8	12.625	6	9	13.625	6	10.5	15.875	8	12	17.875
8	5100	4	7.5	11.625	4	8	12.625	4	9	13.625	6	9.5	14.875	6	10.5	15.875	6	12	18.125	8	13	20.125
10	6000	4	9	13.875	4	9.5	15.125	4	10.5	16.125	6	11	17.125	6	12	18.125	6	13	20.125	8	14.5	22.125
12	6600	4	10.5	16.125	4	11	17.125	4	12	18.125	6	12.5	19.125	6	13	20.125	6	14.5	22.125	8	16	24.125
14	7500	4	11	17.125	4	12	18.125	4	12.5	19.125	6	13	20.125	6	14	21.125	6	15.5	23.125	8	16.5	25.125
16	8700	4	12.5	19.375	4	13	20.375	6	14	21.375	6	14.5	22.375	6	15.5	23.375	8	16.5	25.375	8	18	27.375
18	9600	4	14	21.375	4	14.5	22.375	6	15.5	23.375	6	16	24.375	6	16.5	25.375	8	18	27.375	8	19.5	29.375
20	10200	4	15.5	23.375	4	16	24.375	6	16.5	25.375	6	17.5	26.375	6	18	27.375	8	19.5	29.375	8	21	31.375
24	10800	4	18	27.375	4	19	28.375	6	19.5	29.375	6	20.5	30.375	6	21	31.375	8	22.5	33.375	8	24	35.375
30	14100	4	22.5	33.625	6	23	34.625	6	24	35.625	6	24.5	36.625	6	25	37.625	8	26.5	39.625	8	28	41.625
36	16500	4	26.5	40.125	6	27.5	41.125	6	28	42.125	6	28.5	43.125	6	29.5	44.125	8	31	46.125	8	32.5	48.125
42	18600	4	31	46.125	6	31.5	47.125	6	32.5	48.125	6	33	49.125	6	33.5	50.125	8	35	52.125	8	36.5	54.125

Application:

Model B2200 is designed for use on:

- Hot water
- Steam
- Cold water
- Air
- Chilled water
- Gas
- Dual temperature
- Vacuum

Intended for installation on:

- Flat surfaces

Temperature Range:
Standard: +40°F to +1200°F CalSil Insulation
Note: Up to 1800°F available upon request.
Cryogenic: -275°F to +275°F Urethane Insulation.
 Add U after the model number (i.e., B2200U)

Features:

- All pipe sizes
- Easy installation
- Eliminates welding to pipe
- Overlapping galvanized sheet metal jacket
- Insulating structural inserts for load transfer
- Stainless steel to UHMW polyethylene slide
- Other I.D.'s and/or O.D.'s available on request
- Factory mounted polyethylene slide pad on steel mounting plate

Performance test results on file:
 Available upon request.

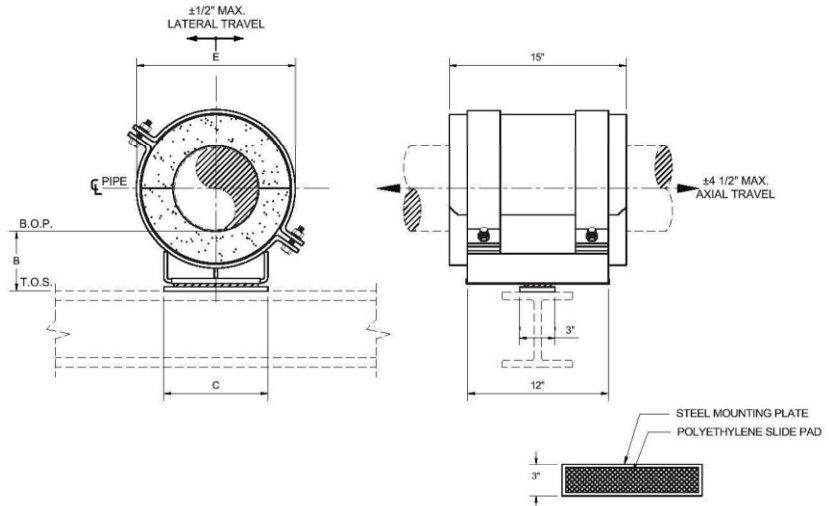
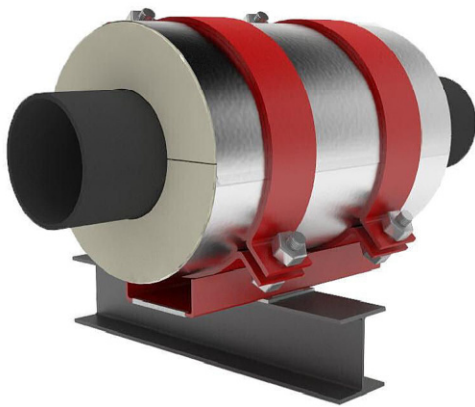
Material Data:

- B2200:** Applicable PSI spec. doc.: No. 209
- Insulation:** Calcium silicate asbestos-free, treated with water repellent
- Jackets:** Galvanized steel ASTM A-653
- Glue:** Industrial contact adhesive
- Structural Inserts:** High-density calcium silicate asbestos free, treated with water repellent
- Steel Straps/Base:** Carbon steel ASTM A-36
- Fasteners:** ASTM A-307 plated
- Slide Pad:** UHMW Polyethylene (PTFE optional)
- Coating:** Primer coated or hot dipped galvanized

Other coatings available upon request

Formal Submittal Sheets available

Model B2300 Sliding Insulated Pipe Support Heavy Duty, Base Mounted



Contact factory for other dimensional, temperature, load, or axial travel requirements. Available in all insulation thickness.

The load ratings represent average values obtained in accordance with accepted test methods and are subject to normal manufacturing variations. Dimensions and ratings are subject to change without notice.

Note: For higher load rating contact factory - For lesser axial travel, see: B1300 - For lateral restraint, see: B4300 - For lateral travel, see: B6300.

Pipe Size	Vert. Load	Insul. Thk. = 1"			Insul. Thk. = 1-1/2"			Insul. Thk. = 2"			Insul. Thk. = 2-1/2"			Insul. Thk. = 3"			Insul. Thk. = 4"			Insul. Thk. = 5"		
		B	C	E	B	C	E	B	C	E	B	C	E	B	C	E	B	C	E	B	C	E
1/2	550	4	1.5	3.375	4	2	4.5	4	2.5	5.5	4	4	7.125	6	4.5	8.125	6	6.5	10.125	8	8	12.25
3/4	700	4	1.5	3.375	4	2	4.5	4	2.5	5.5	4	4	7.125	6	4.5	8.125	6	6.5	10.125	8	8	12.25
1	900	4	2	4	4	2.5	5	4	3	6.062	4	4	7.125	6	4.5	8.125	6	6.5	10.125	8	8	12.25
1 1/2	1300	4	2	4.5	4	2.5	5.5	4	4	7.125	4	4.5	8.125	6	5.5	9.125	6	7.5	11.25	8	9	13.25
2	1500	4	2.5	5	4	3	6.0625	4	4	7.125	4	4.5	8.125	6	5.5	9.125	6	7.5	11.25	8	9	13.25
2 1/2	1800	4	2.5	5.5	4	4	7.125	4	4.5	8.125	4	5.5	9.125	6	6.5	10.125	6	8	12.375	8	9.5	14.625
3	2100	4	3	6.187	4	4	7.125	4	4.5	8.125	4	5.5	9.125	6	6.5	10.125	6	8	12.375	8	9.5	14.625
4	3350	4	4	7.25	4	4.5	8.25	4	5.5	9.25	4	6.5	10.25	6	7.5	11.375	6	9	13.375	8	10.5	15.625
5	4200	4	4.5	8.5	4	5.5	9.5	4	6.5	10.5	4	7.5	11.625	6	8	12.625	6	9.5	14.875	8	11	16.875
6	5100	4	5.5	9.5	4	6.5	10.5	4	7.5	11.625	4	8	12.625	6	9	13.625	6	10.5	15.875	8	12	17.875
8	6800	4	7.5	11.625	4	8	12.625	4	9	13.625	6	9.5	14.875	6	10.5	15.875	6	12	18.125	8	13	20.125
10	8000	4	9	13.875	4	9.5	15.125	4	10.5	16.125	6	11	17.125	6	12	18.125	6	13	20.125	8	14.5	22.125
12	8800	4	10.5	16.125	4	11	17.125	4	12	18.125	6	12.5	19.125	6	13	20.125	6	14.5	22.125	8	16	24.125
14	10000	4	11	17.125	4	12	18.125	4	12.5	19.125	6	13	20.125	6	14	21.125	6	15.5	23.125	8	16.5	25.125
16	11600	4	12.5	19.375	4	13	20.375	6	14	21.375	6	14.5	22.375	6	15.5	23.375	6	16.5	25.375	8	18	27.375
18	12800	4	14	21.375	4	14.5	22.375	6	15.5	23.375	6	16	24.375	6	16.5	25.375	6	18	27.375	8	19.5	29.375
20	13600	4	15.5	23.375	4	16	24.375	6	16.5	25.375	6	17.5	26.375	6	18	27.375	6	19.5	29.375	8	21	31.375
24	14400	4	18	27.375	4	19	28.375	6	19.5	29.375	6	20.5	30.375	6	21	31.375	6	22.5	33.375	8	24	35.375
30	18800	4	22.5	33.625	6	23	34.625	6	24	35.625	6	24.5	36.625	6	25	37.625	6	26.5	39.625	8	28	41.625
36	22000	4	26.5	40.125	6	27.5	41.125	6	28	42.125	6	28.5	43.125	6	29.5	44.125	6	31	46.125	8	32.5	48.125
42	24800	4	31	46.125	6	31.5	47.125	6	32.5	48.125	6	33	49.125	6	33.5	50.125	6	35	52.125	8	36.5	54.125

Application:

Model B2300 is designed for use on:

- Hot water
- Cold water
- Chilled water
- Dual temperature
- Steam
- Air
- Gas
- Vacuum

Intended for installation on:

- Flat surfaces

Temperature Range:

Standard: +40°F to +1200°F CalSil Insulation

Note: Up to 1800°F available upon request.

Cryogenic: -275°F to +275°F Urethane Insulation.

Add U after the model number (i.e., B2300U)

Features:

- All pipe sizes
- Easy installation
- Eliminates welding to pipe
- Overlapping galvanized sheet metal jacket
- Insulating structural inserts for load transfer
- Stainless steel to UHMW polyethylene slide
- Other I.D.'s and/or O.D.'s available on request
- Factory mounted polyethylene slide pad on steel mounting plate

Performance test results on file:
Available upon request.

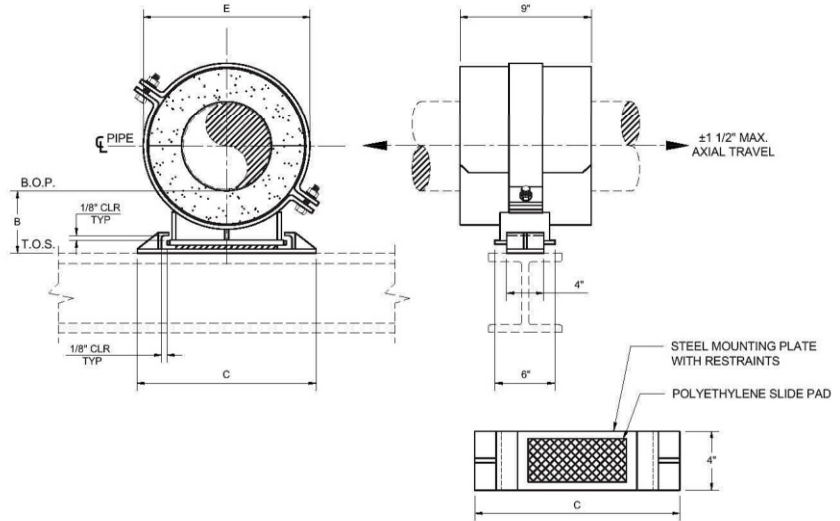
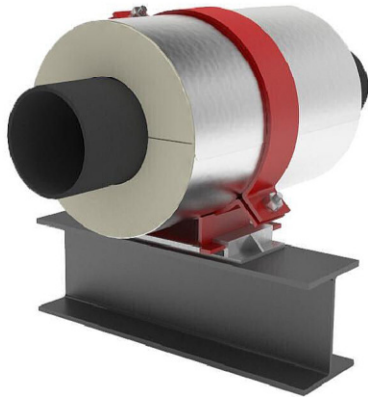
Material Data:

- **B2300:** Applicable PSI spec. doc.: No. 209
 - **Insulation:** Calcium silicate asbestos-free, treated with water repellent
 - **Jackets:** Galvanized Steel ASTM A-653
 - **Glue:** Industrial contact adhesive
 - **Structural Inserts:** High-density calcium silicate asbestos free, treated with water repellent
 - **Steel Straps/Base:** Carbon steel ASTM A-36
 - **Fasteners:** ASTM A-307 plated
 - **Slide Pad:** UHMW Polyethylene (PTFE Optional)
 - **Coating:** Primer coated or hot dipped galvanized.
- Other coatings available upon request

Formal submittal sheets available

Heavy Duty, Base Mounted

Model B3000 Guided Insulated Pipe Support



Contact factory for other dimensional, temperature, load, or axial travel requirements. If lateral load is greater than 20% of vertical load, contact factory. Available in all insulation thickness.

The load ratings represent average values obtained in accordance with accepted test methods and are subject to normal manufacturing variations. Dimensions and ratings are subject to change without notice.

Note: For higher load ratings, see: B3100 - For greater axial travel, see: B4000 - For lateral travel, see: B5000.

Pipe Size	Vert. Load	Insul. Thk. = 1"			Insul. Thk. = 1-1/2"			Insul. Thk. = 2"			Insul. Thk. = 2-1/2"			Insul. Thk. = 3"			Insul. Thk. = 4"			Insul. Thk. = 5"		
		B	C	E	B	C	E	B	C	E	B	C	E	B	C	E	B	C	E	B	C	E
1/2	140	4	6	3.25	4	6.5	4.375	4	7	5.375	4	8.5	7	6	9	8	6	11	10	8	12.5	12.125
3/4	175	4	6	3.25	4	6.5	4.375	4	7	5.375	4	8.5	7	6	9	8	6	11	10	8	12.5	12.125
1	225	4	6.5	3.875	4	7	4.875	4	7.5	5.937	4	8.5	7	6	9	8	6	11	10	8	12.5	12.25
1 1/2	325	4	6.5	4.375	4	7	5.5	4	8.5	7	4	9	8	6	10	9	6	12	11.25	8	13.5	13.25
2	375	4	7	5	4	7.5	6.0625	4	8.5	7	4	9	8	6	10	9.125	6	12	11.25	8	13.5	13.25
2 1/2	460	4	7	5.5	4	8.5	7.125	4	9	8.125	4	10	9.125	6	11	10.125	6	12.5	12.25	8	14	14.5
3	530	4	7.5	6.062	4	8.5	7.125	4	9	8.125	4	10	9.125	6	11	10.125	6	12.5	12.375	8	14	14.625
4	840	4	8.5	7.25	4	9	8.25	4	10	9.25	4	11	10.25	6	12	11.375	6	13.5	13.375	8	15	15.625
5	1050	4	10	8.25	4	11	9.25	4	12	10.25	4	13	11.375	6	13.5	12.375	6	15	14.875	8	16.5	16.875
6	1275	4	11	9.25	4	12	10.25	4	13	11.375	4	13.5	12.625	6	14.5	13.625	6	16	15.875	8	17.5	17.875
8	1700	4	13.5	11.625	4	14	12.625	4	15	13.625	6	15.5	14.875	6	16.5	15.875	6	18	17.875	8	19	20.125
10	2000	4	15	13.625	4	15.5	14.875	4	16.5	15.875	6	17	16.875	6	18	18.125	6	19	20.125	8	20.5	22.125
12	2200	4	17	16.125	4	17.5	17.125	4	18.5	18.125	6	19	19.125	6	19.5	20.125	6	21	22.125	8	22.5	24.125
14	2500	4	17.5	17.125	4	18.5	18.125	4	19	19.125	6	19.5	20.125	6	20.5	21.125	6	22	23.125	8	23	25.125
16	2900	4	20.5	19.125	4	21	20.125	6	22	21.375	6	22.5	22.375	6	23.5	23.375	8	24.5	25.375	8	26	27.375
18	3200	4	22	21.375	4	22.5	22.375	6	23.5	23.375	6	24	24.375	6	24.5	25.375	8	26	27.375	8	27.5	29.375
20	3400	4	23.5	23.375	4	24	24.375	6	24.5	25.375	6	25.5	26.375	6	26	27.375	8	27.5	29.375	8	29	31.375
24	3600	4	26	27.375	4	27	28.375	6	27.5	29.375	6	28.5	30.375	6	29	31.375	8	30.5	33.375	8	32	35.375
30	4700	4	32.5	33.625	6	33	34.625	6	34	35.625	6	34.5	36.625	6	35	37.625	8	36.5	39.625	8	38	41.625
36	5500	4	36.5	39.625	6	37.5	41.125	6	38	42.125	6	38.5	43.125	6	39.5	44.125	8	41	46.125	8	42.5	48.125
42	6200	4	41	46.125	6	41.5	47.125	6	42.5	48.125	6	43	49.125	6	43.5	50.125	8	45	52.125	8	46.5	54.125

Application:

Model B3000 is designed for use on:

- Hot water
- Cold water
- Chilled water
- Dual temperature
- Steam
- Air
- Gas
- Vacuum

Intended for installation on:

- Flat Surfaces

Temperature Range:

Standard: +40°F to +1200°F CalSil Insulation
 Note: Up to 1800°F available upon request.
 Cryogenic: -275°F to +275°F Urethane Insulation.
 Add U after the model number (i.e., B3000U)

Features:

- All pipe sizes
- Easy installation
- Eliminates welding to pipe
- Overlapping galvanized sheet metal jacket
- Insulating structural inserts for load transfer
- Stainless steel to UHMW polyethylene slide
- Other I.D.'s and/or O.D.'s available on request
- Factory mounted polyethylene slide pad on steel mounting plate

Performance test results on file:
 Available upon request.

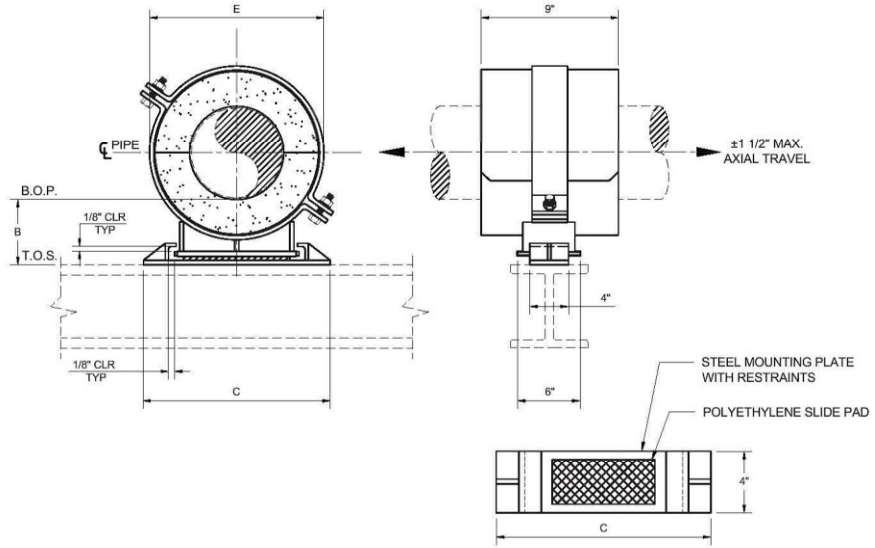
Material Data:

- **B3000:** Applicable PSI spec. doc.: No. 209
 - **Insulation:** Calcium silicate asbestos-free, treated with water repellant
 - **Jackets:** Galvanized steel ASTM A-653
 - **Glue:** Industrial contact adhesive
 - **Structural Inserts:** High-density calcium silicate asbestos free, treated with water repellant
 - **Steel Straps/Base:** Carbon steel ASTM A-36
 - **Fasteners:** ASTM A-307 plated
 - **Slide Pad:** UHMW Polyethylene (PTFE optional)
 - **Coating:** Primer coated or hot dipped galvanized
- Other coatings available upon request

Formal submittal sheets available

Model B3100 Guided Insulated Pipe Support

Heavy Duty,
Base Mounted



Contact factory for other dimensional, temperature, load, or axial travel requirements. If lateral load is greater than 20% of vertical load, contact factory. Available in all insulation thickness.

The load ratings represent average values obtained in accordance with accepted test methods and are subject to normal manufacturing variations. Dimensions and ratings are subject to change without notice.

Note: For higher load ratings, see: B3200 - For greater axial travel, see: B4100 - For lateral travel, see: B5100

Pipe Size	Vert. Load	Insul. Thk. = 1"			Insul. Thk. = 1-1/2"			Insul. Thk. = 2"			Insul. Thk. = 2-1/2"			Insul. Thk. = 3"			Insul. Thk. = 4"			Insul. Thk. = 5"		
		B	C	E	B	C	E	B	C	E	B	C	E	B	C	E	B	C	E	B	C	E
1/2	280	4	6	3.25	4	6.5	4.375	4	7	5.375	4	8.5	7	6	9	8	6	11	10	8	12.5	12.125
3/4	350	4	6	3.25	4	6.5	4.375	4	7	5.375	4	8.5	7	6	9	8	6	11	10	8	12.5	12.25
1	450	4	6.5	3.875	4	7	5	4	7.5	6.062	4	8.5	7	6	9	8	6	11	10	8	12.5	12.25
1 1/2	650	4	6.5	4.5	4	7	5.5	4	8.5	7.125	4	9	8.125	6	10	9.125	6	12	11.25	8	13.5	13.25
2	750	4	7	5	4	7.5	6.0625	4	8.5	7.125	4	9	8.125	6	10	9.125	6	12	11.25	8	13.5	13.25
2 1/2	920	4	7	5.5	4	8.5	7.125	4	9	8.125	4	10	9.125	6	11	10.125	6	12.5	12.25	8	14	14.5
3	1060	4	7.5	6.187	4	8.5	7.125	4	9	8.125	4	10	9.125	6	11	10.125	6	12.5	12.375	8	14	14.625
4	1680	4	8.5	7.25	4	9	8.25	4	10	9.25	4	11	10.25	6	12	11.375	6	13.5	13.375	8	15	15.625
5	2100	4	10	8.5	4	11	9.5	4	12	10.5	4	13	11.625	6	13.5	12.625	6	15	14.875	8	16.5	16.875
6	2550	4	11	9.5	4	12	10.5	4	13	11.625	4	13.5	12.625	6	14.5	13.625	6	16	15.875	8	17.5	17.875
8	3400	4	13.5	11.625	4	14	12.625	4	15	13.625	6	15.5	14.875	6	16.5	15.875	6	18	18.125	8	19	20.125
10	4000	4	15	13.875	4	15.5	15.125	4	16.5	16.125	6	17	17.125	6	18	18.125	6	19	20.125	8	20.5	22.125
12	4400	4	17	16.125	4	17.5	17.125	4	18.5	18.125	6	19	19.125	6	19.5	20.125	6	21	22.125	8	22.5	24.125
14	5000	4	17.5	17.125	4	18.5	18.125	4	19	19.125	6	19.5	20.125	6	20.5	21.125	6	22	23.125	8	23	25.125
16	5800	4	20.5	19.375	4	21	20.375	6	22	21.375	6	22.5	22.375	6	23.5	23.375	8	24.5	25.375	8	26	27.375
18	6400	4	22	21.375	4	22.5	22.375	6	23.5	23.375	6	24	24.375	6	24.5	25.375	8	26	27.375	8	27.5	29.375
20	6800	4	23.5	23.375	4	24	24.375	6	24.5	25.375	6	25.5	26.375	6	26	27.375	8	27.5	29.375	8	29	31.375
24	7200	4	26	27.375	4	27	28.375	6	27.5	29.375	6	28.5	30.375	6	29	31.375	8	30.5	33.375	8	32	35.375
30	9400	4	32.5	33.625	6	33	34.625	6	34	35.625	6	34.5	36.625	6	35	37.625	8	36.5	39.625	8	38	41.625
36	11000	4	36.5	40.125	6	37.5	41.125	6	38	42.125	6	38.5	43.125	6	39.5	44.125	8	41	46.125	8	42.5	48.125
42	12400	4	41	46.125	6	41.5	47.125	6	42.5	48.125	6	43	49.125	6	43.5	50.125	8	45	52.125	8	46.5	54.125

Application:

Model B3100 is designed for use on:

- Hot water
- Cold water
- Chilled water
- Dual temperature
- Steam
- Air
- Gas
- Vacuum

Intended for installation on:

- Flat surfaces

Temperature Range:

Standard: +40°F to +1200°F CalSil Insulation

Note: Up to 1800°F available upon request.

Cryogenic: -275°F to +275°F Urethane Insulation.

Add U after the model number (i.e., B3100U)

Features:

- All pipe sizes
- Easy installation
- Eliminates welding to pipe
- Overlapping galvanized sheet metal jacket
- Insulating structural inserts for load transfer
- Stainless steel to UHMW polyethylene slide
- Other I.D.'s and/or O.D.'s available on request
- Factory mounted polyethylene slide pad on steel mounting plate

Performance test results on file:

Available upon request.

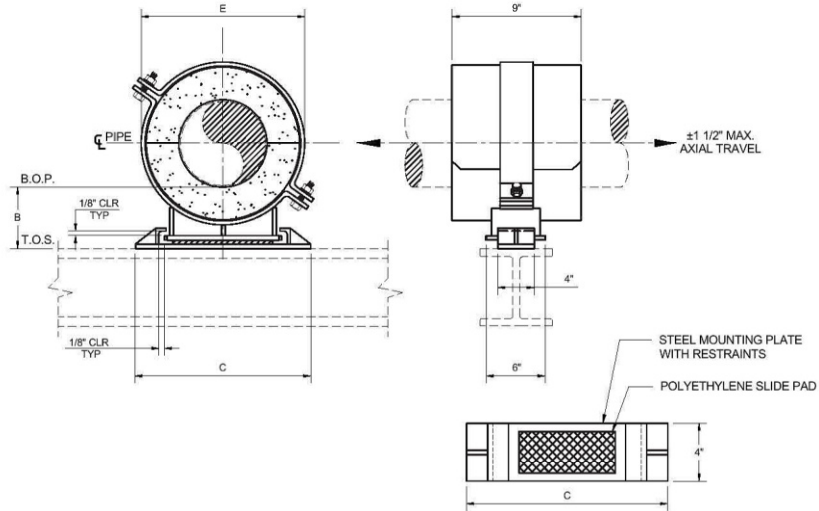
Material Data:

- **B3100:** Applicable PSI spec. doc.: No. 209
 - **Insulation:** Calcium silicate asbestos-free, treated with water repellant
 - **Jackets:** Galvanized steel ASTM A-653
 - **Glue:** Industrial contact adhesive
 - **Structural Inserts:** High-density calcium silicate asbestos free, treated with water repellant
 - **Steel Straps/Base:** Carbon steel ASTM A-36
 - **Fasteners:** ASTM A-307 plated
 - **Slide Pad:** UHMW Polyethylene (PTFE optional)
 - **Coating:** Primer coated or hot dipped galvanized.
- Other coatings available upon request

Formal submittal sheets available

Model B3200 Guided Insulated Pipe Support

Heavy Duty,
Base Mounted



Contact factory for other dimensional, temperature, load, or axial travel requirements. If lateral load is greater than 20% of vertical load, contact factory. Available in all insulation thickness.

The load ratings represent average values obtained in accordance with accepted test methods and are subject to normal manufacturing variations. Dimensions and ratings are subject to change without notice.

Note: For higher load ratings, see: B3300 - For greater axial travel, see: B4200 - For lateral travel, see: B5200.

Pipe Size	Vert. Load	Insul. Thk. = 1"			Insul. Thk. = 1-1/2"			Insul. Thk. = 2"			Insul. Thk. = 2-1/2"			Insul. Thk. = 3"			Insul. Thk. = 4"			Insul. Thk. = 5"		
		B	C	E	B	C	E	B	C	E	B	C	E	B	C	E	B	C	E	B	C	E
1/2	550	4	6	3.375	4	6.5	4.5	4	7	5.5	4	8.5	7.125	6	9	8.125	6	11	10.125	8	12.5	12.25
3/4	700	4	6	3.375	4	6.5	4.5	4	7	5.5	4	8.5	7.125	6	9	8.125	6	11	10.125	8	12.5	12.25
1	900	4	6.5	4	4	7	5	4	7.5	6.062	4	8.5	7.125	6	9	8.125	6	11	10.125	8	12.5	12.25
1 1/2	1300	4	6.5	4.5	4	7	5.5	4	8.5	7.125	4	9	8.125	6	10	9.125	6	12	11.25	8	13.5	13.25
2	1500	4	7	5	4	7.5	6.0625	4	8.5	7.125	4	9	8.125	6	10	9.125	6	12	11.25	8	13.5	13.25
2 1/2	1800	4	7	5.5	4	8.5	7.125	4	9	8.125	4	10	9.125	6	11	10.125	6	12.5	12.375	8	14	14.625
3	2100	4	7.5	6.187	4	8.5	7.125	4	9	8.125	4	10	9.125	6	11	10.125	6	12.5	12.375	8	14	14.625
4	3350	4	8.5	7.25	4	9	8.25	4	10	9.25	4	11	10.25	6	12	11.375	6	13.5	13.375	8	15	15.625
5	4200	4	10	8.5	4	11	9.5	4	12	10.5	4	13	11.625	6	13.5	12.625	6	15	14.875	8	16.5	16.875
6	5100	4	11	9.5	4	12	10.5	4	13	11.625	4	13.5	12.625	6	14.5	13.625	6	16	15.875	8	17.5	17.875
8	6800	4	13.5	11.625	4	14	12.625	4	15	13.625	6	15.5	14.875	6	16.5	15.875	6	18	18.125	8	19	20.125
10	8000	4	15	13.875	4	15.5	15.125	4	16.5	16.125	6	17	17.125	6	18	18.125	6	19	20.125	8	20.5	22.125
12	8800	4	17	16.125	4	17.5	17.125	4	18.5	18.125	6	19	19.125	6	19.5	20.125	6	21	22.125	8	22.5	24.125
14	10000	4	17.5	17.125	4	18.5	18.125	4	19	19.125	6	19.5	20.125	6	20.5	21.125	6	22	23.125	8	23	25.125
16	11600	4	20.5	19.375	4	21	20.375	6	22	21.375	6	22.5	22.375	6	23.5	23.375	8	24.5	25.375	8	26	27.375
18	12800	4	22	21.375	4	22.5	22.375	6	23.5	23.375	6	24	24.375	6	24.5	25.375	8	26	27.375	8	27.5	29.375
20	13600	4	23.5	23.375	4	24	24.375	6	24.5	25.375	6	25.5	26.375	6	26	27.375	8	27.5	29.375	8	29	31.375
24	14400	4	26	27.375	4	27	28.375	6	27.5	29.375	6	28.5	30.375	6	29	31.375	8	30.5	33.375	8	32	35.375
30	18800	4	32.5	33.625	6	33	34.625	6	34	35.625	6	34.5	36.625	6	35	37.625	8	36.5	39.625	8	38	41.625
36	22000	4	36.5	40.125	6	37.5	41.125	6	38	42.125	6	38.5	43.125	6	39.5	44.125	8	41	46.125	8	42.5	48.125
42	24800	4	41	46.125	6	41.5	47.125	6	42.5	48.125	6	43	49.125	6	43.5	50.125	8	45	52.125	8	46.5	54.125

Application:

Model B3200 is designed for use on:

- Hot water
- Cold water
- Chilled water
- Dual temperature
- Steam
- Air
- Gas
- Vacuum

Intended for installation on:

- Flat surfaces

Temperature Range:
Standard: +40°F to +1200°F CalSil Insulation
Note: Up to 1800°F available upon request.
Cryogenic: -275°F to +275°F Urethane Insulation.
 Add U after the model number (i.e., B3200U)

Features:

- All pipe sizes
- Easy installation
- Eliminates welding to pipe
- Overlapping galvanized sheet metal jacket
- Insulating structural inserts for load transfer
- Stainless steel to UHMW polyethylene slide
- Other I.D.'s and/or O.D.'s available on request
- Factory mounted polyethylene slide pad on steel mounting plate

Performance test results on file:
 Available upon request.

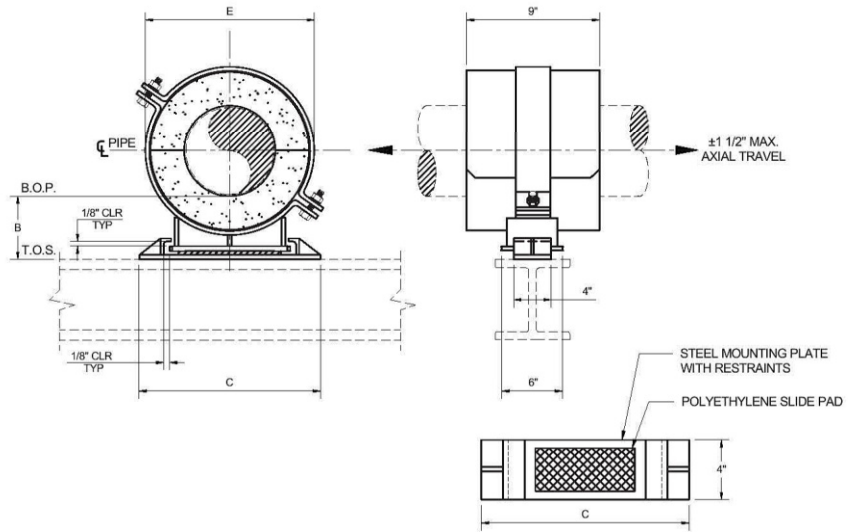
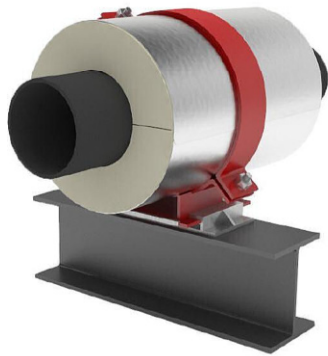
Material Data:

- B3200:** Applicable PSI spec. doc.: No. 209
- Insulation:** Calcium silicate asbestos-free, treated with water repellent
- Jackets:** Galvanized steel ASTM A-653
- Glue:** Industrial contact adhesive
- Structural Inserts:** High-density calcium silicate asbestos free, treated with water repellent
- Steel Straps/Base:** Carbon Steel ASTM A-36
- Fasteners:** ASTMA-307 plated
- Slide Pad:** UHMW Polyethylene (PTFE optional)
- Coating:** Primer coated or hot dipped galvanized

Other coatings available upon request

Formal submittal sheets available

Model B3300 Guided Insulated Pipe Support Heavy Duty, Base Mounted



Contact factory for other dimensional, temperature, load, or axial travel requirements. If lateral load is greater than 20% of vertical load, contact factory. Available in all insulation thickness.

The load ratings represent average values obtained in accordance with accepted test methods and are subject to normal manufacturing variations. Dimensions and ratings are subject to change without notice.

Note: For higher load rating contact factory - For greater axial travel, see: B4300 - For lateral travel, see: B5300

Pipe Size	Vert. Load	Insul. Thk. = 1"			Insul. Thk. = 1-1/2"			Insul. Thk. = 2"			Insul. Thk. = 2-1/2"			Insul. Thk. = 3"			Insul. Thk. = 4"			Insul. Thk. = 5"		
		B	C	E	B	C	E	B	C	E	B	C	E	B	C	E	B	C	E	B	C	E
1/2	550	4	6	3.375	4	6.5	4.5	4	7	5.5	4	8.5	7.125	6	9	8.125	6	11	10.125	8	12.5	12.25
3/4	700	4	6	3.375	4	6.5	4.5	4	7	5.5	4	8.5	7.125	6	9	8.125	6	11	10.125	8	12.5	12.25
1	900	4	6.5	4	4	7	5	4	7.5	6.062	4	8.5	7.125	6	9	8.125	6	11	10.125	8	12.5	12.25
1 1/2	1300	4	6.5	4.5	4	7	5.5	4	8.5	7.125	4	9	8.125	6	10	9.125	6	12	11.25	8	13.5	13.25
2	1500	4	7	5	4	7.5	6.0625	4	8.5	7.125	4	9	8.125	6	10	9.125	6	12	11.25	8	13.5	13.25
2 1/2	1800	4	7	5.5	4	8.5	7.125	4	9	8.125	4	10	9.125	6	11	10.125	6	12.5	12.375	8	14	14.625
3	2100	4	7.5	6.187	4	8.5	7.125	4	9	8.125	4	10	9.125	6	11	10.125	6	12.5	12.375	8	14	14.625
4	3350	4	8.5	7.25	4	9	8.25	4	10	9.25	4	11	10.25	6	12	11.375	6	13.5	13.375	8	15	15.625
5	4200	4	10	8.5	4	11	9.5	4	12	10.5	4	13	11.625	6	13.5	12.625	6	15	14.875	8	16.5	16.875
6	5100	4	11	9.5	4	12	10.5	4	13	11.625	4	13.5	12.625	6	14.5	13.625	6	16	15.875	8	17.5	17.875
8	6800	4	13.5	11.625	4	14	12.625	4	15	13.625	6	15.5	14.875	6	16.5	15.875	6	18	18.125	8	19	20.125
10	8000	4	15	13.875	4	15.5	15.125	4	16.5	16.125	6	17	17.125	6	18	18.125	6	19	20.125	8	20.5	22.125
12	8800	4	17	16.125	4	17.5	17.125	4	18.5	18.125	6	19	19.125	6	19.5	20.125	6	21	22.125	8	22.5	24.125
14	10000	4	17.5	17.125	4	18.5	18.125	4	19	19.125	6	19.5	20.125	6	20.5	21.125	6	22	23.125	8	23	25.125
16	11600	4	20.5	19.375	4	21	20.375	6	22	21.375	6	22.5	22.375	6	23.5	23.375	8	24.5	25.375	8	26	27.375
18	12800	4	22	21.375	4	22.5	22.375	6	23.5	23.375	6	24	24.375	6	24.5	25.375	8	26	27.375	8	27.5	29.375
20	13600	4	23.5	23.375	4	24	24.375	6	24.5	25.375	6	25.5	26.375	6	26	27.375	8	27.5	29.375	8	29	31.375
24	14400	4	26	27.375	4	27	28.375	6	27.5	29.375	6	28.5	30.375	6	29	31.375	8	30.5	33.375	8	32	35.375
30	18800	4	32.5	33.625	6	33	34.625	6	34	35.625	6	34.5	36.625	6	35	37.625	8	36.5	39.625	8	38	41.625
36	22000	4	36.5	40.125	6	37.5	41.125	6	38	42.125	6	38.5	43.125	6	39.5	44.125	8	41	46.125	8	42.5	48.125
42	24800	4	41	46.125	6	41.5	47.125	6	42.5	48.125	6	43	49.125	6	43.5	50.125	8	45	52.125	8	46.5	54.125

Application:

Model B3300 is designed for use on:

- Hot water
- Cold water
- Chilled water
- Dual temperature
- Steam
- Air
- Gas
- Vacuum

Intended for installation on:

- Flat Surfaces

Temperature Range:

Standard: +40°F to +1200°F CalSil Insulation

Note: Up to 1800°F available upon request.

Cryogenic: -275°F to +275°F Urethane Insulation.

Add U after the model number (i.e., B3300U)

Features:

- All pipe sizes
- Easy Installation
- Eliminates welding to pipe
- Overlapping galvanized sheet metal jacket
- Insulating structural inserts for load transfer
- Stainless steel to UHMW polyethylene slide
- Other I.D.'s and/or O.D.'s available on request
- Factory mounted polyethylene slide pad on steel mounting plate

Performance Test Results on File:

Available upon request.

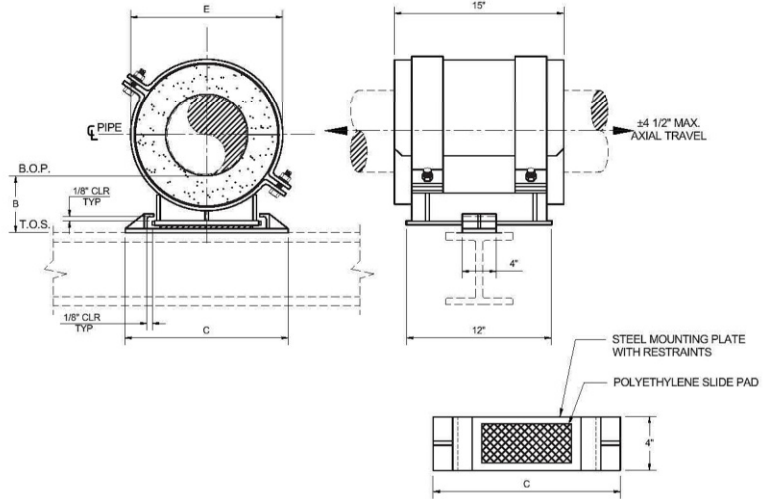
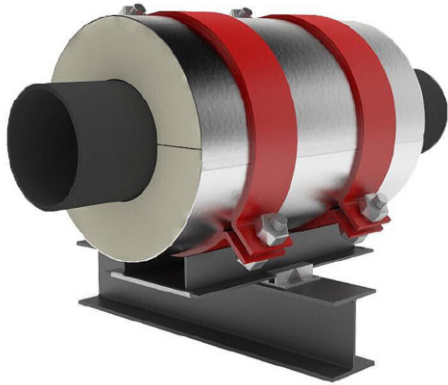
Material Data:

- **B3300:** Applicable PSI spec. doc.: No. 209
 - **Insulation:** Calcium Silicate asbestos-free, treated with water repellent
 - **Jackets:** Galvanized Steel ASTM A-653
 - **Glue:** Industrial contact adhesive
 - **Structural Inserts:** High-density calcium silicate asbestos free, treated with water repellent
 - **Steel Straps/Base:** Carbon Steel ASTM A-36
 - **Fasteners:** ASTM A-307 plated
 - **Slide Pad:** UHMW Polyethylene (PTFE Optional)
 - **Coating:** Primer coated or hot dipped galvanized
- Other coatings available upon request

Formal Submittal Sheets available

Model B4000 Guided Insulated Pipe Support

Heavy Duty,
Base Mounted



Contact factory for other dimensional, temperature, load, or axial travel requirements. If lateral load is greater than 20% of vertical load, contact factory. Available in all insulation thickness.

The load ratings represent average values obtained in accordance with accepted test methods and are subject to normal manufacturing variations. Dimensions and ratings are subject to change without notice.

Note: For higher load ratings, see: B4100 - For lateral travel, see: B6000.

Pipe Size	Vert. Load	Insul. Thk. = 1"			Insul. Thk. = 1-1/2"			Insul. Thk. = 2"			Insul. Thk. = 2-1/2"			Insul. Thk. = 3"			Insul. Thk. = 4"			Insul. Thk. = 5"		
		B	C	E	B	C	E	B	C	E	B	C	E	B	C	E	B	C	E	B	C	E
1/2	140	4	6	3.25	4	6.5	4.375	4	7	5.375	4	8.5	7	6	9	8	6	11	10	8	12.5	12.125
3/4	175	4	6	3.25	4	6.5	4.375	4	7	5.375	4	8.5	7	6	9	8	6	11	10	8	12.5	12.125
1	225	4	6.5	3.875	4	7	4.875	4	7.5	5.937	4	8.5	7	6	9	8	6	11	10	8	12.5	12.25
1 1/2	325	4	6.5	4.375	4	7	5.5	4	8.5	7	4	9	8	6	10	9	6	12	11.25	8	13.5	13.25
2	375	4	7	5	4	7.5	6.0625	4	8.5	7	4	9	8	6	10	9.125	6	12	11.25	8	13.5	13.25
2 1/2	460	4	7	5.5	4	8.5	7.125	4	9	8.125	4	10	9.125	6	11	10.125	6	12.5	12.25	8	14	14.5
3	530	4	7.5	6.062	4	8.5	7.125	4	9	8.125	4	10	9.125	6	11	10.125	6	12.5	12.375	8	14	14.625
4	840	4	8.5	7.25	4	9	8.25	4	10	9.25	4	11	10.25	6	12	11.375	6	13.5	13.375	8	15	15.625
5	1050	4	10	8.25	4	11	9.25	4	12	10.25	4	13	11.375	6	13.5	12.375	6	15	14.875	8	16.5	16.875
6	1275	4	11	9.25	4	12	10.25	4	13	11.375	4	13.5	12.625	6	14.5	13.625	6	16	15.875	8	17.5	17.875
8	1700	4	13.5	11.625	4	14	12.625	4	15	13.625	6	15.5	14.875	6	16.5	15.875	6	18	17.875	8	19	20.125
10	2000	4	15	13.625	4	15.5	14.875	4	16.5	15.875	6	17	16.875	6	18	18.125	6	19	20.125	8	20.5	22.125
12	2200	4	17	16.125	4	17.5	17.125	4	18.5	18.125	6	19	19.125	6	19.5	20.125	6	21	22.125	8	22.5	24.125
14	2500	4	17.5	17.125	4	18.5	18.125	4	19	19.125	6	19.5	20.125	6	20.5	21.125	6	22	23.125	8	23	25.125
16	2900	4	20.5	19.125	4	21	20.125	6	22	21.375	6	22.5	22.375	6	23.5	23.375	8	24.5	25.375	8	26	27.375
18	3200	4	22	21.375	4	22.5	22.375	6	23.5	23.375	6	24	24.375	6	24.5	25.375	8	26	27.375	8	27.5	29.375
20	3400	4	23.5	23.375	4	24	24.375	6	24.5	25.375	6	25.5	26.375	6	26	27.375	8	27.5	29.375	8	29	31.375
24	3600	4	26	27.375	4	27	28.375	6	27.5	29.375	6	28.5	30.375	6	29	31.375	8	30.5	33.375	8	32	35.375
30	4700	4	32.5	33.625	6	33	34.625	6	34	35.625	6	34.5	36.625	6	35	37.625	8	36.5	39.625	8	38	41.625
36	5500	4	36.5	39.625	6	37.5	41.125	6	38	42.125	6	38.5	43.125	6	39.5	44.125	8	41	46.125	8	42.5	48.125
42	6200	4	41	46.125	6	41.5	47.125	6	42.5	48.125	6	43	49.125	6	43.5	50.125	8	45	52.125	8	46.5	54.125

Application:

Model B4000 is designed for use on:

- Hot water
- Cold water
- Chilled water
- Dual temperature
- Steam
- Air
- Gas
- Vacuum

Intended for installation on:

- Flat surfaces

Temperature Range:
Standard: +40°F to +1200°F CalSil Insulation
Note: Up to 1800°F available upon request.
Cryogenic: -275°F to +275°F Urethane Insulation.
 Add U after the model number (i.e., B4000U)

Features:

- All pipe sizes
- Easy installation
- Eliminates welding to pipe
- Overlapping galvanized sheet metal jacket
- Insulating structural inserts for load transfer
- Stainless steel to UHMW polyethylene slide
- Other I.D.'s and/or O.D.'s available on request
- Factory mounted polyethylene slide pad on steel mounting plate

Performance test results on file:
 Available upon request.

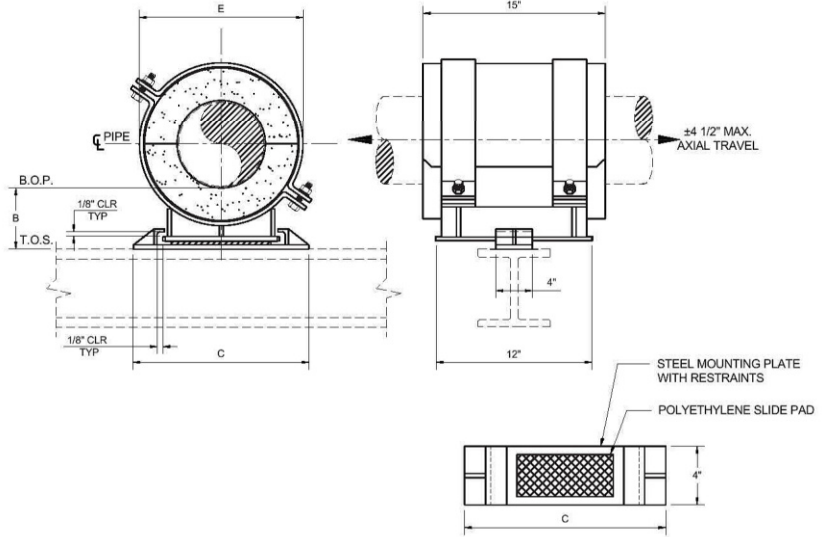
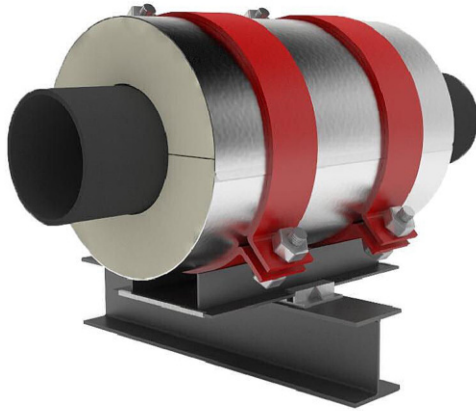
Material Data:

- B4000:** Applicable PSI spec. doc.: No. 209
- Insulation:** Calcium silicate asbestos-free, treated with water repellent
- Jackets:** Galvanized steel ASTM A-653
- Glue:** Industrial contact adhesive
- Structural Inserts:** High-density calcium silicate asbestos free, treated with water repellent
- Steel Straps/Base:** Carbon steel ASTM A-36
- Fasteners:** ASTM A-307 plated
- Slide Pad:** UHMW Polyethylene (PTFE Optional)
- Coating:** Primer coated or hot dipped galvanized

Other coatings available upon request

Formal submittal sheets available

Model B4100 Guided Insulated Pipe Support *Heavy Duty, Base Mounted*



Contact factory for other dimensional, temperature, load, or axial travel requirements. If lateral load is greater than 20% of vertical load, contact factory. Available in all insulation thickness.

The load ratings represent average values obtained in accordance with accepted test methods and are subject to normal manufacturing variations. Dimensions and ratings are subject to change without notice.

Note: For higher load ratings, see: B4200 - For lateral travel, see: B6100.

Pipe Size	Vert. Load	Insul. Thk. = 1"			Insul. Thk. = 1-1/2"			Insul. Thk. = 2"			Insul. Thk. = 2-1/2"			Insul. Thk. = 3"			Insul. Thk. = 4"			Insul. Thk. = 5"		
		B	C	E	B	C	E	B	C	E	B	C	E	B	C	E	B	C	E	B	C	E
1/2	280	4	6	3.25	4	6.5	4.375	4	7	5.375	4	8.5	7	6	9	8	6	11	10	8	12.5	12.125
3/4	350	4	6	3.25	4	6.5	4.375	4	7	5.375	4	8.5	7	6	9	8	6	11	10	8	12.5	12.25
1	450	4	6.5	3.875	4	7	5	4	7.5	6.062	4	8.5	7	6	9	8	6	11	10	8	12.5	12.25
1 1/2	650	4	6.5	4.5	4	7	5.5	4	8.5	7.125	4	9	8.125	6	10	9.125	6	12	11.25	8	13.5	13.25
2	750	4	7	5	4	7.5	6.0625	4	8.5	7.125	4	9	8.125	6	10	9.125	6	12	11.25	8	13.5	13.25
2 1/2	920	4	7	5.5	4	8.5	7.125	4	9	8.125	4	10	9.125	6	11	10.125	6	12.5	12.25	8	14	14.5
3	1060	4	7.5	6.187	4	8.5	7.125	4	9	8.125	4	10	9.125	6	11	10.125	6	12.5	12.375	8	14	14.625
4	1680	4	8.5	7.25	4	9	8.25	4	10	9.25	4	11	10.25	6	12	11.375	6	13.5	13.375	8	15	15.625
5	2100	4	10	8.5	4	11	9.5	4	12	10.5	4	13	11.625	6	13.5	12.625	6	15	14.875	8	16.5	16.875
6	2550	4	11	9.5	4	12	10.5	4	13	11.625	4	13.5	12.625	6	14.5	13.625	6	16	15.875	8	17.5	17.875
8	3400	4	13.5	11.625	4	14	12.625	4	15	13.625	6	15.5	14.875	6	16.5	15.875	6	18	18.125	8	19	20.125
10	4000	4	15	13.875	4	15.5	15.125	4	16.5	16.125	6	17	17.125	6	18	18.125	6	19	20.125	8	20.5	22.125
12	4400	4	17	16.125	4	17.5	17.125	4	18.5	18.125	6	19	19.125	6	19.5	20.125	6	21	22.125	8	22.5	24.125
14	5000	4	17.5	17.125	4	18.5	18.125	4	19	19.125	6	19.5	20.125	6	20.5	21.125	6	22	23.125	8	23	25.125
16	5800	4	20.5	19.375	4	21	20.375	6	22	21.375	6	22.5	22.375	6	23.5	23.375	8	24.5	25.375	8	26	27.375
18	6400	4	22	21.375	4	22.5	22.375	6	23.5	23.375	6	24	24.375	6	24.5	25.375	8	26	27.375	8	27.5	29.375
20	6800	4	23.5	23.375	4	24	24.375	6	24.5	25.375	6	25.5	26.375	6	26	27.375	8	27.5	29.375	8	29	31.375
24	7200	4	26	27.375	4	27	28.375	6	27.5	29.375	6	28.5	30.375	6	29	31.375	8	30.5	33.375	8	32	35.375
30	9400	4	32.5	33.625	6	33	34.625	6	34	35.625	6	34.5	36.625	6	35	37.625	8	36.5	39.625	8	38	41.625
36	11000	4	36.5	40.125	6	37.5	41.125	6	38	42.125	6	38.5	43.125	6	39.5	44.125	8	41	46.125	8	42.5	48.125
42	12400	4	41	46.125	6	41.5	47.125	6	42.5	48.125	6	43	49.125	6	43.5	50.125	8	45	52.125	8	46.5	54.125

Application:

Model B4100 is designed for use on:

- Hot water
- Cold water
- Chilled water
- Dual temperature
- Steam
- Air
- Gas
- Vacuum

Intended for installation on:

- Flat surfaces

Temperature Range:

Standard: +40°F to +1200°F CalSil Insulation
Note: Up to 1800°F available upon request.
Cryogenic: -275°F to +275°F Urethane Insulation.
 Add U after the model number (i.e., B4100U)

Features:

- All pipe sizes
- Easy installation
- Eliminates welding to pipe
- Overlapping galvanized sheet metal jacket
- Insulating structural inserts for load transfer
- Stainless steel to UHMW polyethylene slide
- Other I.D.'s and/or O.D.'s available on request
- Factory mounted polyethylene slide pad on steel mounting plate

Performance test results on file:
 Available upon request.

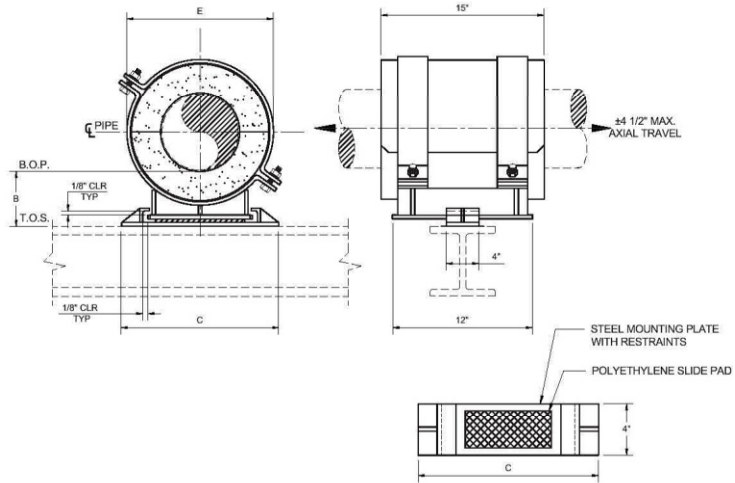
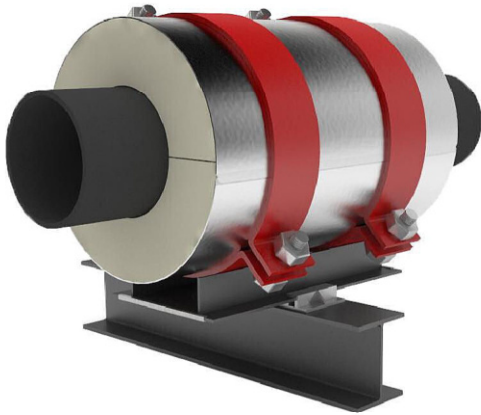
Material Data:

- **B4100:** Applicable PSI spec. doc.: No. 209
 - **Insulation:** Calcium silicate asbestos-free, treated with water repellent
 - **Jackets:** Galvanized steel ASTM A-653
 - **Glue:** Industrial contact adhesive
 - **Structural Inserts:** High-density calcium silicate asbestos free, treated with water repellent
 - **Steel Straps/Base:** Carbon steel ASTM A-36
 - **Fasteners:** ASTM A-307 plated
 - **Slide Pad:** UHMW Polyethylene (PTFE optional)
 - **Coating:** Primer coated or hot dipped galvanized
- Other coatings available upon request

Formal Submittal Sheets available

Model B4200 Guided Insulated Pipe Support

Heavy Duty,
Base Mounted



Contact factory for other dimensional, temperature, load, or axial travel requirements. If lateral load is greater than 20% of vertical load, contact factory. Available in all insulation thickness.

The load ratings represent average values obtained in accordance with accepted test methods and are subject to normal manufacturing variations. Dimensions and ratings are subject to change without notice.

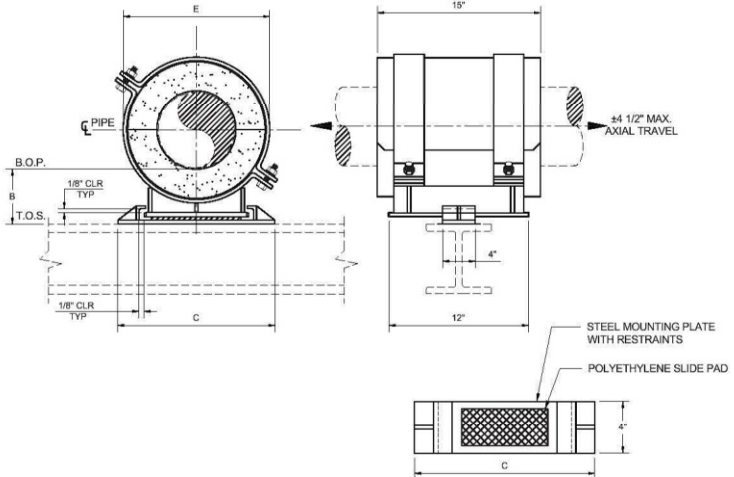
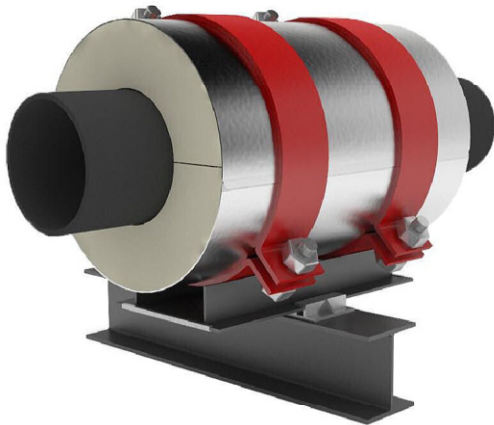
Note: For higher load ratings, see: B4300 - For lateral travel, see: B6200.

Pipe Size	Vert. Load	Insul. Thk. = 1"			Insul. Thk. = 1-1/2"			Insul. Thk. = 2"			Insul. Thk. = 2-1/2"			Insul. Thk. = 3"			Insul. Thk. = 4"			Insul. Thk. = 5"		
		B	C	E	B	C	E	B	C	E	B	C	E	B	C	E	B	C	E	B	C	E
1/2	400	4	6	3.25	4	6.5	4.375	4	7	5.375	4	8.5	7	6	9	8	6	11	10	8	12.5	12.125
3/4	500	4	6	3.25	4	6.5	4.375	4	7	5.375	4	8.5	7	6	9	8	6	11	10	8	12.5	12.25
1	650	4	6.5	4	4	7	5	4	7.5	6.062	4	8.5	7.125	6	9	8.125	6	11	10.125	8	12.5	12.25
1 1/2	950	4	6.5	4.5	4	7	5.5	4	8.5	7.125	4	9	8.125	6	10	9.125	6	12	11.25	8	13.5	13.25
2	1100	4	7	5	4	7.5	6.1875	4	8.5	7.125	4	9	8.125	6	10	9.125	6	12	11.25	8	13.5	13.25
2 1/2	1350	4	7	5.5	4	8.5	7.125	4	9	8.125	4	10	9.125	6	11	10.125	6	12.5	12.25	8	14	14.5
3	1600	4	7.5	6.187	4	8.5	7.125	4	9	8.125	4	10	9.125	6	11	10.125	6	12.5	12.375	8	14	14.625
4	2500	4	8.5	7.25	4	9	8.25	4	10	9.25	4	11	10.25	6	12	11.375	6	13.5	13.375	8	15	15.625
5	3100	4	10	8.5	4	11	9.5	4	12	10.5	4	13	11.625	6	13.5	12.625	6	15	14.875	8	16.5	16.875
6	3800	4	11	9.5	4	12	10.5	4	13	11.625	4	13.5	12.625	6	14.5	13.625	6	16	15.875	8	17.5	17.875
8	5100	4	13.5	11.625	4	14	12.625	4	15	13.625	6	15.5	14.875	6	16.5	15.875	6	18	18.125	8	19	20.125
10	6000	4	15	13.875	4	15.5	15.125	4	16.5	16.125	6	17	17.125	6	18	18.125	6	19	20.125	8	20.5	22.125
12	6600	4	17	16.125	4	17.5	17.125	4	18.5	18.125	6	19	19.125	6	19.5	20.125	6	21	22.125	8	22.5	24.125
14	7500	4	17.5	17.125	4	18.5	18.125	4	19	19.125	6	19.5	20.125	6	20.5	21.125	6	22	23.125	8	23	25.125
16	8700	4	20.5	19.375	4	21	20.375	6	22	21.375	6	22.5	22.375	6	23.5	23.375	8	24.5	25.375	8	26	27.375
18	9600	4	22	21.375	4	22.5	22.375	6	23.5	23.375	6	24	24.375	6	24.5	25.375	8	26	27.375	8	27.5	29.375
20	10200	4	23.5	23.375	4	24	24.375	6	24.5	25.375	6	25.5	26.375	6	26	27.375	8	27.5	29.375	8	29	31.375
24	10800	4	26	27.375	4	27	28.375	6	27.5	29.375	6	28.5	30.375	6	29	31.375	8	30.5	33.375	8	32	35.375
30	14100	4	32.5	33.625	6	33	34.625	6	34	35.625	6	34.5	36.625	6	35	37.625	8	36.5	39.625	8	38	41.625
36	16500	4	36.5	40.125	6	37.5	41.125	6	38	42.125	6	38.5	43.125	6	39.5	44.125	8	41	46.125	8	42.5	48.125
42	18600	4	41	46.125	6	41.5	47.125	6	42.5	48.125	6	43	49.125	6	43.5	50.125	8	45	52.125	8	46.5	54.125

<p>Application:</p> <p>Model B4200 is designed for use on:</p> <ul style="list-style-type: none"> · Hot water · Cold water · Chilled water · Dual temperature · Steam · Air · Gas · Vacuum <p>Intended for installation on:</p> <ul style="list-style-type: none"> · Flat surfaces <p>Temperature Range: Standard: +40°F to +1200°F CalSil Insulation Note: Up to 1800°F available upon request. Cryogenic: -275°F to +275°F Urethane Insulation. Add U after the model number (i.e., B4200U)</p>	<p>Features:</p> <ul style="list-style-type: none"> · All pipe sizes · Easy installation · Eliminates welding to pipe · Overlapping galvanized sheet metal jacket · Insulating structural inserts for load transfer · Stainless steel to UHMW polyethylene slide · Other I.D.'s and/or O.D.'s available on request · Factory mounted polyethylene slide pad on steel mounting plate <p>Performance test results on file: Available upon request.</p>	<p>Material Data:</p> <ul style="list-style-type: none"> · B4200: Applicable PSI spec. doc.: No. 209 · Insulation: Calcium silicate asbestos-free, treated with water repellent · Jackets: Galvanized steel ASTM A-653 · Glue: Industrial contact adhesive · Structural Inserts: High-density calcium silicate asbestos free, treated with water repellent · Steel Straps/Base: Carbon steel ASTM A-36 · Fasteners: ASTM A-307 plated · Slide Pad: UHMW Polyethylene (PTFE Optional) · Coating: Primer coated or hot dipped galvanized <p>Other coatings available upon request</p> <p>Formal submittal sheets available</p>
---	--	--

Model B4300 Guided Insulated Pipe Support

Heavy Duty,
Base Mounted



Contact factory for other dimensional, temperature, load, or axial travel requirements. If lateral load is greater than 20% of vertical load, contact factory. Available in all insulation thickness.

The load ratings represent average values obtained in accordance with accepted test methods and are subject to normal manufacturing variations. Dimensions and ratings are subject to change without notice.

Note: For higher load rating contact factory - For lateral travel, see: B6300.

Pipe Size	Vert. Load	Insul. Thk. = 1"			Insul. Thk. = 1-1/2"			Insul. Thk. = 2"			Insul. Thk. = 2-1/2"			Insul. Thk. = 3"			Insul. Thk. = 4"			Insul. Thk. = 5"		
		B	C	E	B	C	E	B	C	E	B	C	E	B	C	E	B	C	E	B	C	E
1/2	550	4	6	3.375	4	6.5	4.5	4	7	5.5	4	8.5	7.125	6	9	8.125	6	11	10.125	8	12.5	12.25
3/4	700	4	6	3.375	4	6.5	4.5	4	7	5.5	4	8.5	7.125	6	9	8.125	6	11	10.125	8	12.5	12.25
1	900	4	6.5	4	4	7	5	4	7.5	6.062	4	8.5	7.125	6	9	8.125	6	11	10.125	8	12.5	12.25
1 1/2	1300	4	6.5	4.5	4	7	5.5	4	8.5	7.125	4	9	8.125	6	10	9.125	6	12	11.25	8	13.5	13.25
2	1500	4	7	5	4	7.5	6.0625	4	8.5	7.125	4	9	8.125	6	10	9.125	6	12	11.25	8	13.5	13.25
2 1/2	1800	4	7	5.5	4	8.5	7.125	4	9	8.125	4	10	9.125	6	11	10.125	6	12.5	12.375	8	14	14.625
3	2100	4	7.5	6.187	4	8.5	7.125	4	9	8.125	4	10	9.125	6	11	10.125	6	12.5	12.375	8	14	14.625
4	3350	4	8.5	7.25	4	9	8.25	4	10	9.25	4	11	10.25	6	12	11.375	6	13.5	13.375	8	15	15.625
5	4200	4	10	8.5	4	11	9.5	4	12	10.5	4	13	11.625	6	13.5	12.625	6	15	14.875	8	16.5	16.875
6	5100	4	11	9.5	4	12	10.5	4	13	11.625	4	13.5	12.625	6	14.5	13.625	6	16	15.875	8	17.5	17.875
8	6800	4	13.5	11.625	4	14	12.625	4	15	13.625	6	15.5	14.875	6	16.5	15.875	6	18	18.125	8	19	20.125
10	8000	4	15	13.875	4	15.5	15.125	4	16.5	16.125	6	17	17.125	6	18	18.125	6	19	20.125	8	20.5	22.125
12	8800	4	17	16.125	4	17.5	17.125	4	18.5	18.125	6	19	19.125	6	19.5	20.125	6	21	22.125	8	22.5	24.125
14	10000	4	17.5	17.125	4	18.5	18.125	4	19	19.125	6	19.5	20.125	6	20.5	21.125	6	22	23.125	8	23	25.125
16	11600	4	20.5	19.375	4	21	20.375	6	22	21.375	6	22.5	22.375	6	23.5	23.375	8	24.5	25.375	8	26	27.375
18	12800	4	22	21.375	4	22.5	22.375	6	23.5	23.375	6	24	24.375	6	24.5	25.375	8	26	27.375	8	27.5	29.375
20	13600	4	23.5	23.375	4	24	24.375	6	24.5	25.375	6	25.5	26.375	6	26	27.375	8	27.5	29.375	8	29	31.375
24	14400	4	26	27.375	4	27	28.375	6	27.5	29.375	6	28.5	30.375	6	29	31.375	8	30.5	33.375	8	32	35.375
30	18800	4	32.5	33.625	6	33	34.625	6	34	35.625	6	34.5	36.625	6	35	37.625	8	36.5	39.625	8	38	41.625
36	22000	4	36.5	40.125	6	37.5	41.125	6	38	42.125	6	38.5	43.125	6	39.5	44.125	8	41	46.125	8	42.5	48.125
42	24800	4	41	46.125	6	41.5	47.125	6	42.5	48.125	6	43	49.125	6	43.5	50.125	8	45	52.125	8	46.5	54.125

Application:

Model B4300 is designed for use on:

- Hot water
- Cold water
- Chilled water
- Dual temperature
- Steam
- Air
- Gas
- Vacuum

Intended for installation on:

- Flat surfaces

Temperature Range:

Standard: +40°F to +1200°F CalSil Insulation

Note: Up to 1800°F available upon request.

Cryogenic: -275°F to +275°F Urethane Insulation.

Add U after the model number (i.e., B4300U)

Features:

- All pipe sizes
- Easy installation
- Eliminates welding to pipe
- Overlapping galvanized sheet metal jacket
- Insulating structural inserts for load transfer
- Stainless steel to UHMW polyethylene slide
- Other I.D.'s and/or O.D.'s available on request
- Factory mounted polyethylene slide pad on steel mounting plate

Performance test results on file:

Available upon request.

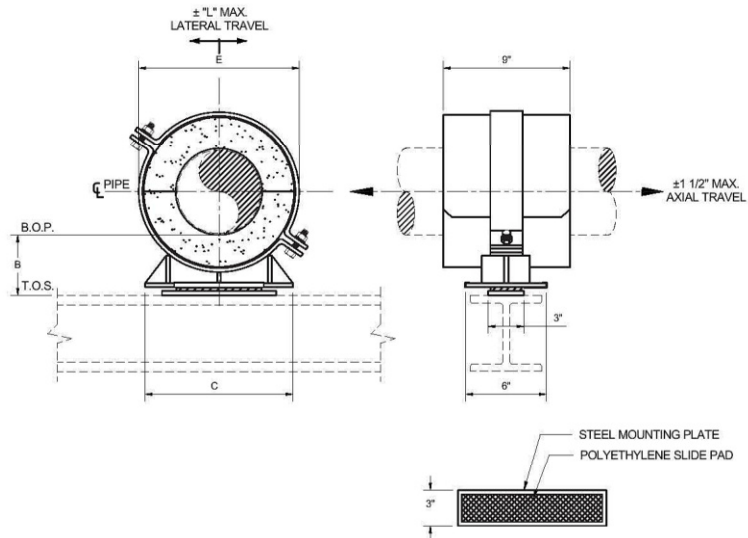
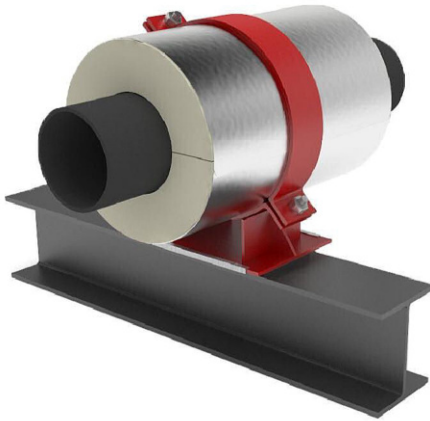
Material Data:

- B4300:** Applicable PSI spec. doc.: No. 209
 - Insulation:** Calcium silicate asbestos-free, treated with water repellent
 - Jackets:** Galvanized steel ASTM A-653
 - Glue:** Industrial contact adhesive
 - Structural Inserts:** High-density calcium silicate asbestos free, treated with water repellent
 - Steel Straps/Base:** Carbon Steel ASTM A-36
 - Fasteners:** ASTM A-307 plated
 - Slide Pad:** UHMW Polyethylene (PTFE optional)
 - Coating:** Primer coated or hot dipped galvanized
- Other coatings available upon request

Formal submittal sheets available

Model B5000 Wide Base Sliding Insulated Pipe Support

Heavy Duty,
Base Mounted



Contact factory for other dimensional, temperature, load, or axial travel requirements. Available in all insulation thickness.

The load ratings represent average values obtained in accordance with accepted test methods and are subject to normal manufacturing variations. Dimensions and ratings are subject to change without notice.

Note: For higher load ratings, see: B5100 - For greater axial travel, see: B6000 - For lateral restraint, see: B3000 - For lateral travel, see: B1000.

Pipe Size	Vert. Load	Insul. Thk. = 1"			Insul. Thk. = 1-1/2"			Insul. Thk. = 2"			Insul. Thk. = 2-1/2"			Insul. Thk. = 3"			Insul. Thk. = 4"			Insul. Thk. = 5"		
		L = +/- 1-1/2			L = +/- 1-3/4			L = +/- 2			L = +/- 2-1/4			L = +/- 2-1/2			L = +/- 3			L = +/- 3-1/2		
		B	C	E	B	C	E	B	C	E	B	C	E	B	C	E	B	C	E	B	C	E
1/2	140	4	5.25	3.25	4	6.25	4.375	4	7.25	5.375	4	8.75	7	6	9.75	8	6	11.75	10	8	13.75	12.125
3/4	175	4	5.25	3.25	4	6.25	4.375	4	7.25	5.375	4	8.75	7	6	9.75	8	6	11.75	10	8	13.75	12.125
1	225	4	5.75	3.875	4	6.75	4.875	4	7.75	5.937	4	8.75	7	6	9.75	8	6	11.75	10	8	13.75	12.25
1 1/2	325	4	6.25	4.375	4	7.25	5.5	4	8.75	7	4	9.75	8	6	10.75	9	6	12.75	11.25	8	14.75	13.25
2	375	4	6.75	5	4	7.75	6.0625	4	8.75	7	4	9.75	8	6	10.75	9.125	6	12.75	11.25	8	14.75	13.25
2 1/2	460	4	7.25	5.5	4	8.75	7.125	4	9.75	8.125	4	10.75	9.125	6	11.75	10.125	6	13.75	12.25	8	15.75	14.5
3	530	4	7.75	6.062	4	8.75	7.125	4	9.75	8.125	4	10.75	9.125	6	11.75	10.125	6	13.75	12.375	8	15.75	14.625
4	840	4	8.25	7.25	4	9.25	8.25	4	10.25	9.25	4	11.25	10.25	6	12.25	11.375	6	14.25	13.375	8	16.25	15.625
5	1050	4	9	8.25	4	10	9.25	4	11	10.25	4	12	11.375	6	13	12.375	6	15	14.875	8	17	16.875
6	1275	4	9.5	9.25	4	10.5	10.25	4	11.5	11.375	4	12.5	12.625	6	13.5	13.625	6	15.5	15.875	8	17.5	17.875
8	1700	4	10.5	11.625	4	11.5	12.625	4	12.5	13.625	6	13.5	14.875	6	14.5	15.875	6	16.5	17.875	8	18.5	20.125
10	2000	4	11.5	13.625	4	12.5	14.875	4	13.5	15.875	6	14.5	16.875	6	15.5	18.125	6	17.5	20.125	8	19.5	22.125
12	2200	4	12.5	16.125	4	13.5	17.125	4	14.5	18.125	6	15.5	19.125	6	16.5	20.125	6	18.5	22.125	8	20.5	24.125
14	2500	4	13	17.125	4	14	18.125	4	15	19.125	6	16	20.125	6	17	21.125	6	19	23.125	8	21	25.125
16	2900	4	14	19.125	4	15	20.125	6	16	21.375	6	17	22.375	6	18	23.375	8	20	25.375	8	22	27.375
18	3200	4	15	21.375	4	16	22.375	6	17	23.375	6	18	24.375	6	19	25.375	8	21	27.375	8	23	29.375
20	3400	4	16	23.375	4	17	24.375	6	18	25.375	6	19	26.375	6	20	27.375	8	22	29.375	8	24	31.375
24	3600	4	18.5	27.375	4	19.5	28.375	6	20	29.375	6	21	30.375	6	22	31.375	8	24	33.375	8	26	35.375
30	4700	4	23.5	33.625	6	24	34.625	6	25	35.625	6	25.5	36.625	6	26	37.625	8	27.5	39.625	8	29	41.625
36	5500	4	27.5	39.625	6	28.5	41.125	6	29	42.125	6	29.5	43.125	6	30.5	44.125	8	32	46.125	8	33.5	48.125
42	6200	4	32	46.125	6	32.5	47.125	6	33.5	48.125	6	34	49.125	6	34.5	50.125	8	36	52.125	8	37.5	54.125

Application:

Model B5000 is designed for use on:

- Hot water
- Cold water
- Chilled water
- Dual temperature
- Steam
- Air
- Gas
- Vacuum

Intended for installation on:

- Flat surfaces

Temperature Range:
Standard: +40°F to +1200°F CalSil Insulation
Note: Up to 1800°F available upon request.
Cryogenic: -275°F to +275°F Urethane Insulation.
 Add U after the model number (i.e., B5000U)

Features:

- All pipe sizes
- Easy installation
- Eliminates welding to pipe
- Overlapping galvanized sheet metal jacket
- Insulating structural inserts for load transfer
- Stainless steel to UHMW polyethylene slide
- Other I.D.'s and/or O.D.'s available on request
- Factory mounted polyethylene slide pad on steel mounting plate

Performance test results on file:
 Available upon request.

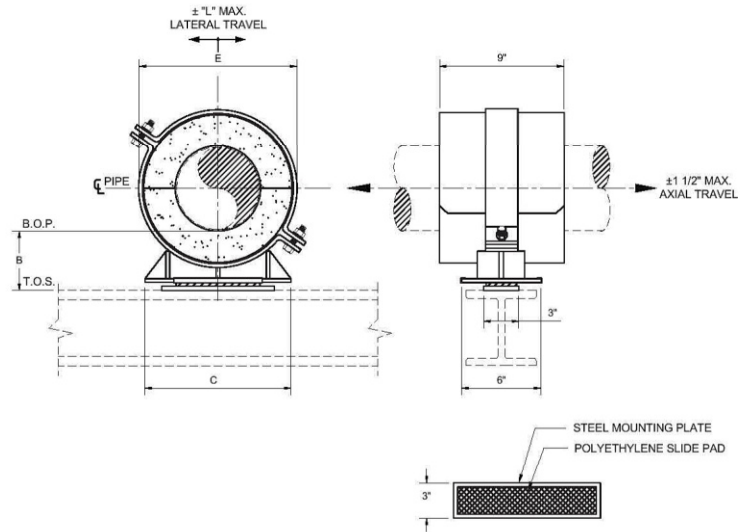
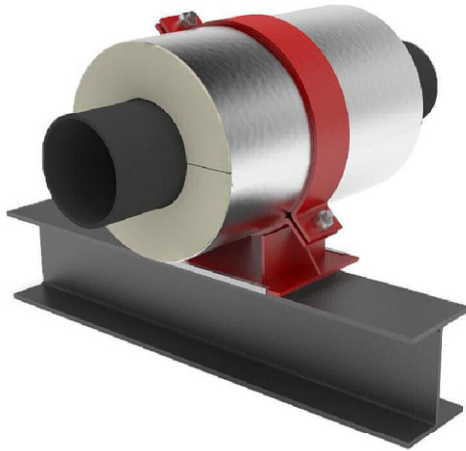
Material Data:

- B5000:** Applicable PSI spec. doc.: No. 209
- Insulation:** Calcium silicate asbestos-free, treated with water repellent
- Jackets:** Galvanized steel ASTM A-653
- Glue:** Industrial contact adhesive
- Structural Inserts:** High-density calcium silicate asbestos free, treated with water repellent
- Steel Straps/Base:** Carbon steel ASTM A-36
- Fasteners:** ASTM A-307 plated
- Slide Pad:** UHMW Polyethylene (PTFE optional)
- Coating:** Primer coated or hot dipped galvanized
 Other coatings available upon request

Formal submittal sheets available

Model B5100 Wide Base Sliding Insulated Pipe Support

Heavy Duty,
Base Mounted



Contact factory for other dimensional, temperature, load, or axial travel requirements. Available in all insulation thickness.

The load ratings represent average values obtained in accordance with accepted test methods and are subject to normal manufacturing variations. Dimensions and ratings are subject to change without notice.

Note: For higher load ratings, see: B5200 - For greater axial travel, see: B6100 - For lateral restraint, see: B3100 - For lateral travel, see: B1100.

Pipe Size	Vert. Load	Insul. Thk. = 1"			Insul. Thk. = 1-1/2"			Insul. Thk. = 2"			Insul. Thk. = 2-1/2"			Insul. Thk. = 3"			Insul. Thk. = 4"			Insul. Thk. = 5"		
		L = +/- 1-1/2			L = +/- 1-3/4			L = +/- 2			L = +/- 2-1/4			L = +/- 2-1/2			L = +/- 3			L = +/- 3-1/2		
		B	C	E	B	C	E	B	C	E	B	C	E	B	C	E	B	C	E	B	C	E
1/2	280	4	5.25	3.25	4	6.25	4.375	4	7.25	5.375	4	8.75	7	6	9.75	8	6	11.75	10	8	13.75	12.125
3/4	350	4	5.25	3.25	4	6.25	4.375	4	7.25	5.375	4	8.75	7	6	9.75	8	6	11.75	10	8	13.75	12.25
1	450	4	5.75	3.875	4	6.75	5	4	7.75	6.062	4	8.75	7	6	9.75	8	6	11.75	10	8	13.75	12.25
1 1/2	650	4	6.25	4.5	4	7.25	5.5	4	8.75	7.125	4	9.75	8.125	6	10.75	9.125	6	12.75	11.25	8	14.75	13.25
2	750	4	6.75	5	4	7.75	6.0625	4	8.75	7.125	4	9.75	8.125	6	10.75	9.125	6	12.75	11.25	8	14.75	13.25
2 1/2	920	4	7.25	5.5	4	8.75	7.125	4	9.75	8.125	4	10.75	9.125	6	11.75	10.125	6	13.75	12.25	8	15.75	14.5
3	1060	4	7.75	6.187	4	8.75	7.125	4	9.75	8.125	4	10.75	9.125	6	11.75	10.125	6	13.75	12.375	8	15.75	14.625
4	1680	4	8.25	7.25	4	9.25	8.25	4	10.25	9.25	4	11.25	10.25	6	12.25	11.375	6	14.25	13.375	8	16.25	15.625
5	2100	4	9	8.5	4	10	9.5	4	11	10.5	4	12	11.625	6	13	12.625	6	15	14.875	8	17	16.875
6	2550	4	9.5	9.5	4	10.5	10.5	4	11.5	11.625	4	12.5	12.625	6	13.5	13.625	6	15.5	15.875	8	17.5	17.875
8	3400	4	10.5	11.625	4	11.5	12.625	4	12.5	13.625	6	13.5	14.875	6	14.5	15.875	6	16.5	18.125	8	18.5	20.125
10	4000	4	11.5	13.875	4	12.5	15.125	4	13.5	16.125	6	14.5	17.125	6	15.5	18.125	6	17.5	20.125	8	19.5	22.125
12	4400	4	12.5	16.125	4	13.5	17.125	4	14.5	18.125	6	15.5	19.125	6	16.5	20.125	6	18.5	22.125	8	20.5	24.125
14	5000	4	13	17.125	4	14	18.125	4	15	19.125	6	16	20.125	6	17	21.125	6	19	23.125	8	21	25.125
16	5800	4	14	19.375	4	15	20.375	6	16	21.375	6	17	22.375	6	18	23.375	8	20	25.375	8	22	27.375
18	6400	4	15	21.375	4	16	22.375	6	17	23.375	6	18	24.375	6	19	25.375	8	21	27.375	8	23	29.375
20	6800	4	16	23.375	4	17	24.375	6	18	25.375	6	19	26.375	6	20	27.375	8	22	29.375	8	24	31.375
24	7200	4	18.5	27.375	4	19.5	28.375	6	20	29.375	6	21	30.375	6	22	31.375	8	24	33.375	8	26	35.375
30	9400	4	23.5	33.625	6	24	34.625	6	25	35.625	6	25.5	36.625	6	26	37.625	8	27.5	39.625	8	29	41.625
36	11000	4	27.5	40.125	6	28.5	41.125	6	29	42.125	6	29.5	43.125	6	30.5	44.125	8	32	46.125	8	33.5	48.125
42	12400	4	32	46.125	6	32.5	47.125	6	33.5	48.125	6	34	49.125	6	34.5	50.125	8	36	52.125	8	37.5	54.125

Application:

Model B5100 is designed for use on:

- Hot water
- Cold water
- Chilled water
- Dual temperature
- Steam
- Air
- Gas
- Vacuum

Intended for installation on:

- Flat surfaces

Temperature Range:

Standard: +40°F to +1200°F CalSil Insulation

Note: Up to 1800°F available upon request.

Cryogenic: -275°F to +275°F Urethane Insulation.

Add U after the model number (i.e., B5100U)

Features:

- All pipe sizes
- Easy installation
- Eliminates welding to pipe
- Overlapping galvanized sheet metal jacket
- Insulating structural inserts for load transfer
- Stainless steel to UHMW polyethylene slide
- Other I.D.'s and/or O.D.'s available on request
- Factory mounted polyethylene slide pad on steel mounting plate

Performance test results on file:

Available upon request.

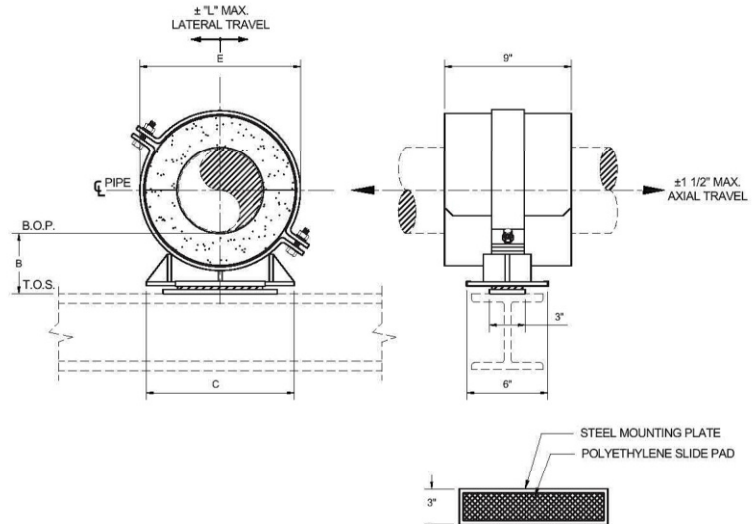
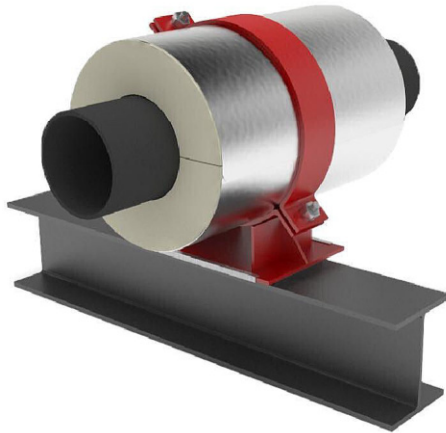
Material Data:

- B5100:** Applicable PSI spec. doc.: No. 209
 - Insulation:** Calcium silicate asbestos-free, treated with water repellent
 - Jackets:** Galvanized steel ASTM A-653
 - Glue:** Industrial contact adhesive
 - Structural Inserts:** High-density calcium silicate asbestos free, treated with water repellent
 - Steel Straps/Base:** Carbon steel ASTM A-36
 - Fasteners:** ASTM A-307 plated
 - Slide Pad:** UHMW Polyethylene (PTFE optional)
 - Coating:** Primer coated or hot dipped galvanized
- Other coatings available upon request

Formal submittal sheets available

Model B5200 Wide Base Sliding Insulated Pipe Support

Heavy Duty,
Base Mounted



Contact factory for other dimensional, temperature, load, or axial travel requirements. Available in all insulation thickness.

The load ratings represent average values obtained in accordance with accepted test methods and are subject to normal manufacturing variations. Dimensions and ratings are subject to change without notice.

Note: For higher load ratings, see: B5300 - For greater axial travel, see: B6200 - For lateral restraint, see: B3200 - For lateral travel, see: B1200.

Pipe Size	Vert. Load	Insul. Thk. = 1"			Insul. Thk. = 1-1/2"			Insul. Thk. = 2"			Insul. Thk. = 2-1/2"			Insul. Thk. = 3"			Insul. Thk. = 4"			Insul. Thk. = 5"		
		L = +/- 1-1/2			L = +/- 1-3/4			L = +/- 2			L = +/- 2-1/4			L = +/- 2-1/2			L = +/- 3			L = +/- 3-1/2		
		B	C	E	B	C	E	B	C	E	B	C	E	B	C	E	B	C	E	B	C	E
1/2	400	4	5.25	3.25	4	6.25	4.375	4	7.25	5.375	4	8.75	7	6	9.75	8	6	11.75	10	8	13.75	12.125
3/4	500	4	5.25	3.25	4	6.25	4.375	4	7.25	5.375	4	8.75	7	6	9.75	8	6	11.75	10	8	13.75	12.25
1	650	4	5.75	4	4	6.75	5	4	7.75	6.062	4	8.75	7.125	6	9.75	8.125	6	11.75	10.125	8	13.75	12.25
1 1/2	950	4	6.25	4.5	4	7.25	5.5	4	8.75	7.125	4	9.75	8.125	6	10.75	9.125	6	12.75	11.25	8	14.75	13.25
2	1100	4	6.75	5	4	7.75	6.1875	4	8.75	7.125	4	9.75	8.125	6	10.75	9.125	6	12.75	11.25	8	14.75	13.25
2 1/2	1350	4	7.25	5.5	4	8.75	7.125	4	9.75	8.125	4	10.75	9.125	6	11.75	10.125	6	13.75	12.25	8	15.75	14.5
3	1600	4	7.75	6.187	4	8.75	7.125	4	9.75	8.125	4	10.75	9.125	6	11.75	10.125	6	13.75	12.375	8	15.75	14.625
4	2500	4	8.25	7.25	4	9.25	8.25	4	10.25	9.25	4	11.25	10.25	6	12.25	11.375	6	14.25	13.375	8	16.25	15.625
5	3100	4	9	8.5	4	10	9.5	4	11	10.5	4	12	11.625	6	13	12.625	6	15	14.875	8	17	16.875
6	3800	4	9.5	9.5	4	10.5	10.5	4	11.5	11.625	4	12.5	12.625	6	13.5	13.625	6	15.5	15.875	8	17.5	17.875
8	5100	4	10.5	11.625	4	11.5	12.625	4	12.5	13.625	6	13.5	14.875	6	14.5	15.875	6	16.5	18.125	8	18.5	20.125
10	6000	4	11.5	13.875	4	12.5	15.125	4	13.5	16.125	6	14.5	17.125	6	15.5	18.125	6	17.5	20.125	8	19.5	22.125
12	6600	4	12.5	16.125	4	13.5	17.125	4	14.5	18.125	6	15.5	19.125	6	16.5	20.125	6	18.5	22.125	8	20.5	24.125
14	7500	4	13	17.125	4	14	18.125	4	15	19.125	6	16	20.125	6	17	21.125	6	19	23.125	8	21	25.125
16	8700	4	14	19.375	4	15	20.375	6	16	21.375	6	17	22.375	6	18	23.375	8	20	25.375	8	22	27.375
18	9600	4	15	21.375	4	16	22.375	6	17	23.375	6	18	24.375	6	19	25.375	8	21	27.375	8	23	29.375
20	10200	4	16	23.375	4	17	24.375	6	18	25.375	6	19	26.375	6	20	27.375	8	22	29.375	8	24	31.375
24	10800	4	18.5	27.375	4	19.5	28.375	6	20	29.375	6	21	30.375	6	22	31.375	8	24	33.375	8	26	35.375
30	14100	4	23.5	33.625	6	24	34.625	6	25	35.625	6	25.5	36.625	6	26	37.625	8	27.5	39.625	8	29	41.625
36	16500	4	27.5	40.125	6	28.5	41.125	6	29	42.125	6	29.5	43.125	6	30.5	44.125	8	32	46.125	8	33.5	48.125
42	18600	4	32	46.125	6	32.5	47.125	6	33.5	48.125	6	34	49.125	6	34.5	50.125	8	36	52.125	8	37.5	54.125

Application:

Model B5200 is designed for use on:

- Hot water
- Steam
- Cold water
- Air
- Chilled water
- Gas
- Dual temperature
- Vacuum

Intended for installation on:

- Flat surfaces

Temperature Range:
 Standard: +40°F to +1200°F CalSil Insulation
 Note: Up to 1800°F available upon request.
 Cryogenic: -275°F to +275°F Urethane Insulation.
 Add U after the model number (i.e., B5200U)

Features:

- All pipe sizes
- Easy installation
- Eliminates welding to pipe
- Overlapping galvanized sheet metal jacket
- Insulating structural inserts for load transfer
- Stainless steel to UHMW polyethylene slide
- Other I.D.'s and/or O.D.'s available on request
- Factory mounted polyethylene slide pad on steel mounting plate

Performance test results on file:
 Available upon request.

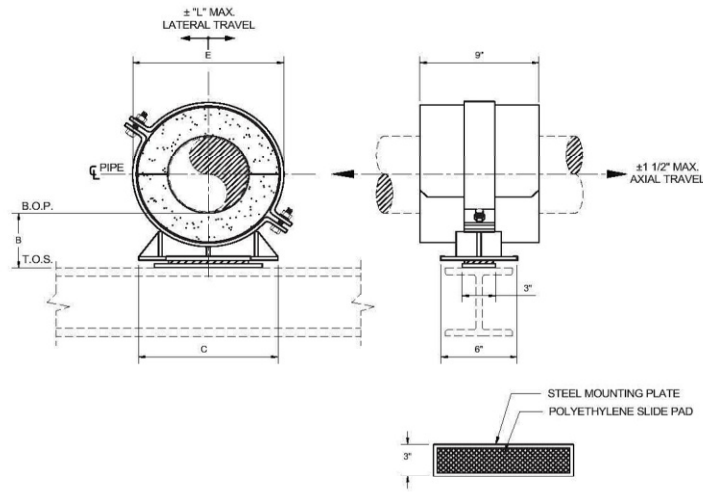
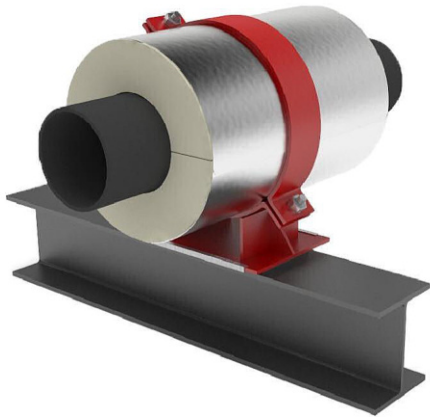
Material Data:

- B5200:** Applicable PSI spec. doc.: No. 209
- Insulation:** Calcium silicate asbestos-free, treated with water repellant
- Jackets:** Galvanized steel ASTM A-653
- Glue:** Industrial contact adhesive
- Structural Inserts:** High-density calcium silicate asbestos free, treated with water repellant
- Steel Straps/Base:** Carbon steel ASTM A-36
- Fasteners:** ASTM A-307 plated
- Slide Pad:** UHMW Polyethylene (PTFE optional)
- Coating:** Primer coated or hot dipped galvanized

Other coatings available upon request

Formal submittal sheets available

Model B5300 Wide Base Sliding Insulated Pipe Support Heavy Duty, Base Mounted



Contact factory for other dimensional, temperature, load, or axial travel requirements. Available in all insulation thickness.

The load ratings represent average values obtained in accordance with accepted test methods and are subject to normal manufacturing variations. Dimensions and ratings are subject to change without notice.

Note: For higher load rating contact factory - For greater axial travel, see: B6300 - For lateral restraint, see: B3300 - For lateral travel, see: B1300.

Pipe Size	Vert. Load	Insul. Thk. = 1"			Insul. Thk. = 1-1/2"			Insul. Thk. = 2"			Insul. Thk. = 2-1/2"			Insul. Thk. = 3"			Insul. Thk. = 4"			Insul. Thk. = 5"		
		L = +/- 1-1/2			L = +/- 1-3/4			L = +/- 2			L = +/- 2-1/4			L = +/- 2-1/2			L = +/- 3			L = +/- 3-1/2		
		B	C	E	B	C	E	B	C	E	B	C	E	B	C	E	B	C	E	B	C	E
1/2	550	4	5.25	3.375	4	6.25	4.5	4	7.25	5.5	4	8.75	7.125	6	9.75	8.125	6	11.75	10.125	8	13.75	12.25
	700	4	5.25	3.375	4	6.25	4.5	4	7.25	5.5	4	8.75	7.125	6	9.75	8.125	6	11.75	10.125	8	13.75	12.25
	900	4	5.75	4	4	6.75	5	4	7.75	6.062	4	8.75	7.125	6	9.75	8.125	6	11.75	10.125	8	13.75	12.25
	1300	4	6.25	4.5	4	7.25	5.5	4	8.75	7.125	4	9.75	8.125	6	10.75	9.125	6	12.75	11.25	8	14.75	13.25
2	1500	4	6.75	5	4	7.75	6.0625	4	8.75	7.125	4	9.75	8.125	6	10.75	9.125	6	12.75	11.25	8	14.75	13.25
	1800	4	7.25	5.5	4	8.75	7.125	4	9.75	8.125	4	10.75	9.125	6	11.75	10.125	6	13.75	12.375	8	15.75	14.625
	2100	4	7.75	6.187	4	8.75	7.125	4	9.75	8.125	4	10.75	9.125	6	11.75	10.125	6	13.75	12.375	8	15.75	14.625
	3350	4	8.25	7.25	4	9.25	8.25	4	10.25	9.25	4	11.25	10.25	6	12.25	11.375	6	14.25	13.375	8	16.25	15.625
5	4200	4	9	8.5	4	10	9.5	4	11	10.5	4	12	11.625	6	13	12.625	6	15	14.875	8	17	16.875
	5100	4	9.5	9.5	4	10.5	10.5	4	11.5	11.625	4	12.5	12.625	6	13.5	13.625	6	15.5	15.875	8	17.5	17.875
	6800	4	10.5	11.625	4	11.5	12.625	4	12.5	13.625	6	13.5	14.875	6	14.5	15.875	6	16.5	18.125	8	18.5	20.125
	8000	4	11.5	13.875	4	12.5	15.125	4	13.5	16.125	6	14.5	17.125	6	15.5	18.125	6	17.5	20.125	8	19.5	22.125
12	8800	4	12.5	16.125	4	13.5	17.125	4	14.5	18.125	6	15.5	19.125	6	16.5	20.125	6	18.5	22.125	8	20.5	24.125
	10000	4	13	17.125	4	14	18.125	4	15	19.125	6	16	20.125	6	17	21.125	6	19	23.125	8	21	25.125
	11600	4	14	19.375	4	15	20.375	6	16	21.375	6	17	22.375	6	18	23.375	8	20	25.375	8	22	27.375
	12800	4	15	21.375	4	16	22.375	6	17	23.375	6	18	24.375	6	19	25.375	8	21	27.375	8	23	29.375
20	13600	4	16	23.375	4	17	24.375	6	18	25.375	6	19	26.375	6	20	27.375	8	22	29.375	8	24	31.375
	14400	4	18.5	27.375	4	19.5	28.375	6	20	29.375	6	21	30.375	6	22	31.375	8	24	33.375	8	26	35.375
	18800	4	23.5	33.625	6	24	34.625	6	25	35.625	6	26	36.625	6	27	37.625	8	29	41.625	8	29	41.625
	22000	4	27.5	40.125	6	28.5	41.125	6	29	42.125	6	29.5	43.125	6	30.5	44.125	8	32	46.125	8	33.5	48.125
42	24800	4	32	46.125	6	32.5	47.125	6	33.5	48.125	6	34	49.125	6	34.5	50.125	8	36	52.125	8	37.5	54.125

Application:

Model B5300 is designed for use on:

- Hot water
- Cold water
- Chilled water
- Dual temperature
- Steam
- Air
- Gas
- Vacuum

Intended for installation on:

- Flat surfaces

Temperature Range:

Standard: +40°F to +1200°F CalSil Insulation

Note: Up to 1800°F available upon request.

Cryogenic: -275°F to +275°F Urethane Insulation.

Add U after the model number (i.e., B5300U)

Features:

- All pipe sizes
- Easy installation
- Eliminates welding to pipe
- Overlapping galvanized sheet metal jacket
- Insulating structural inserts for load transfer
- Stainless steel to UHMW polyethylene slide
- Other I.D.'s and/or O.D.'s available on request
- Factory mounted polyethylene slide pad on steel mounting plate

Performance test results on file:

Available upon request.

Material Data:

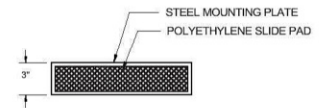
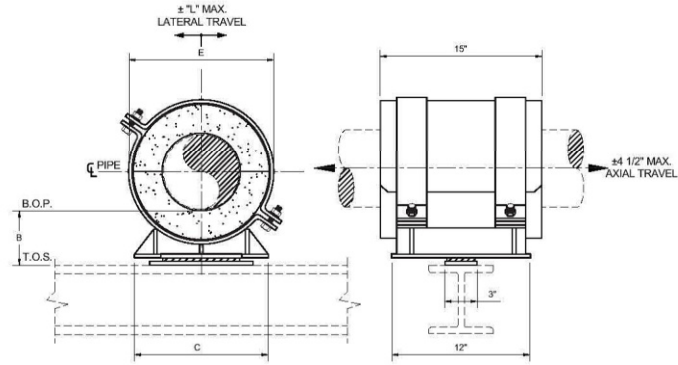
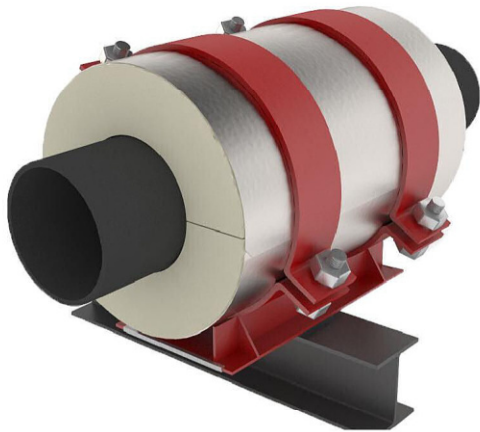
- **B5300:** Applicable PSI spec. doc.: No. 209
- **Insulation:** Calcium silicate asbestos-free treated with water repellant
- **Jackets:** Galvanized steel ASTM A-653
- **Glue:** Industrial contact adhesive
- **Structural Inserts:** High-density calcium silicate asbestos free, treated with water repellant
- **Steel Straps/Base:** Carbon steel ASTM A-36
- **Fasteners:** ASTM A-307 plated
- **Slide Pad:** UHMW Polyethylene (PTFE Optional)
- **Coating:** Primer coated or hot dipped galvanized

Other coatings available upon request

Formal submittal sheets available

Model B6000 Wide Base Sliding Insulated Pipe Support

Heavy Duty,
Base Mounted



Contact factory for other dimensional, temperature, load, or axial travel requirements. Available in all insulation thickness.

The load ratings represent average values obtained in accordance with accepted test methods and are subject to normal manufacturing variations. Dimensions and ratings are subject to change without notice.

Note: For higher load ratings, see: B6100 - For lateral restraint, see: B4000 - For minimal lateral travel, see: B2000.

Pipe Size	Vert. Load	Insul. Thk. = 1"			Insul. Thk. = 1-1/2"			Insul. Thk. = 2"			Insul. Thk. = 2-1/2"			Insul. Thk. = 3"			Insul. Thk. = 4"			Insul. Thk. = 5"		
		L = +/- 1-1/2			L = +/- 1-3/4			L = +/- 2			L = +/- 2-1/4			L = +/- 2-1/2			L = +/- 3			L = +/- 3-1/2		
		B	C	E	B	C	E	B	C	E	B	C	E	B	C	E	B	C	E	B	C	E
1/2	140	4	5.25	3.25	4	6.25	4.375	4	7.25	5.375	4	8.75	7	6	9.75	8	6	11.75	10	8	13.75	12.125
3/4	175	4	5.25	3.25	4	6.25	4.375	4	7.25	5.375	4	8.75	7	6	9.75	8	6	11.75	10	8	13.75	12.125
1	225	4	5.75	3.875	4	6.75	4.875	4	7.75	5.937	4	8.75	7	6	9.75	8	6	11.75	10	8	13.75	12.25
1 1/2	325	4	6.25	4.375	4	7.25	5.5	4	8.75	7	4	9.75	8	6	10.75	9	6	12.75	11.25	8	14.75	13.25
2	375	4	6.75	5	4	7.75	6.0625	4	8.75	7	4	9.75	8	6	10.75	9.125	6	12.75	11.25	8	14.75	13.25
2 1/2	460	4	7.25	5.5	4	8.75	7.125	4	9.75	8.125	4	10.75	9.125	6	11.75	10.125	6	13.75	12.25	8	15.75	14.5
3	530	4	7.75	6.062	4	8.75	7.125	4	9.75	8.125	4	10.75	9.125	6	11.75	10.125	6	13.75	12.375	8	15.75	14.625
4	840	4	8.25	7.25	4	9.25	8.25	4	10.25	9.25	4	11.25	10.25	6	12.25	11.375	6	14.25	13.375	8	16.25	15.625
5	1050	4	9	8.25	4	10	9.25	4	11	10.25	4	12	11.375	6	13	12.375	6	15	14.875	8	17	16.875
6	1275	4	9.5	9.25	4	10.5	10.25	4	11.5	11.375	4	12.5	12.625	6	13.5	13.625	6	15.5	15.875	8	17.5	17.875
8	1700	4	10.5	11.625	4	11.5	12.625	4	12.5	13.625	6	13.5	14.875	6	14.5	15.875	6	16.5	17.875	8	18.5	20.125
10	2000	4	11.5	13.625	4	12.5	14.875	4	13.5	15.875	6	14.5	16.875	6	15.5	18.125	6	17.5	20.125	8	19.5	22.125
12	2200	4	12.5	16.125	4	13.5	17.125	4	14.5	18.125	6	15.5	19.125	6	16.5	20.125	6	18.5	22.125	8	20.5	24.125
14	2500	4	13	17.125	4	14	18.125	4	15	19.125	6	16	20.125	6	17	21.125	6	19	23.125	8	21	25.125
16	2900	4	14	19.125	4	15	20.125	6	16	21.375	6	17	22.375	6	18	23.375	8	20	25.375	8	22	27.375
18	3200	4	15	21.375	4	16	22.375	6	17	23.375	6	18	24.375	6	19	25.375	8	21	27.375	8	23	29.375
20	3400	4	16	23.375	4	17	24.375	6	18	25.375	6	19	26.375	6	20	27.375	8	22	29.375	8	24	31.375
24	3600	4	18.5	27.375	4	19.5	28.375	6	20	29.375	6	21	30.375	6	22	31.375	8	24	33.375	8	26	35.375
30	4700	4	23.5	33.625	6	24	34.625	6	25	35.625	6	25.5	36.625	6	26	37.625	8	27.5	39.625	8	29	41.625
36	5500	4	27.5	39.625	6	28.5	41.125	6	29	42.125	6	29.5	43.125	6	30.5	44.125	8	32	46.125	8	33.5	48.125
42	6200	4	32	46.125	6	32.5	47.125	6	33.5	48.125	6	34	49.125	6	34.5	50.125	8	36	52.125	8	37.5	54.125

Application:

Model B6000 is designed for use on:

- Hot water
- Cold water
- Chilled water
- Dual temperature
- Steam
- Air
- Gas
- Vacuum

Intended for installation on:

- Flat surfaces

Temperature Range:

Standard: +40°F to +1200°F CalSil Insulation

Note: Up to 1800°F available upon request.

Cryogenic: -275°F to +275°F Urethane Insulation.

Add U after the model number (i.e., B6000U)

Features:

- All pipe sizes
- Easy installation
- Eliminates welding to pipe
- Overlapping galvanized sheet metal jacket
- Insulating structural inserts for load transfer
- Stainless steel to UHMW polyethylene slide
- Other I.D.'s and/or O.D.'s available on request
- Factory mounted polyethylene slide pad on steel mounting plate

Performance test results on file:

Available upon request.

Material Data:

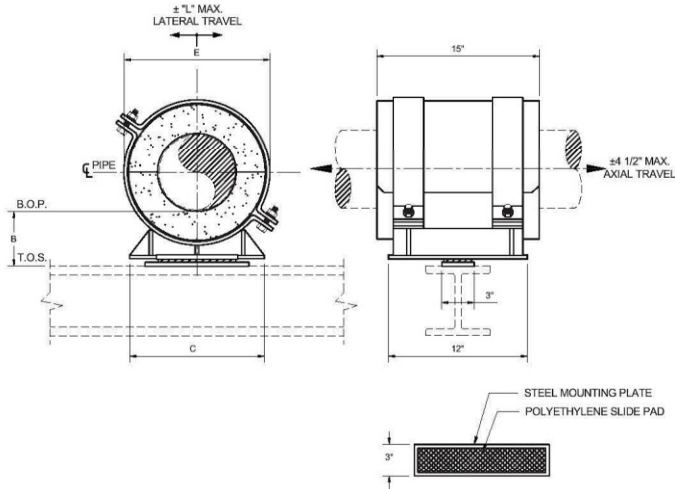
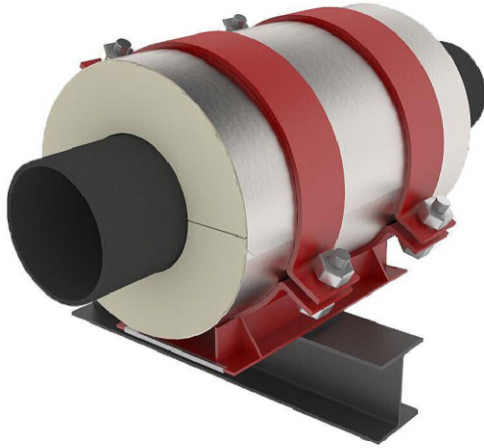
- **B6000:** Applicable PSI spec. doc.: No. 209
- **Insulation:** Calcium silicate asbestos-free, treated with water repellent
- **Jackets:** Galvanized steel ASTM A-653
- **Glue:** Industrial contact adhesive
- **Structural Inserts:** High-density calcium silicate asbestos free, treated with water repellent
- **Steel Straps/Base:** Carbon steel ASTM A-36
- **Fasteners:** ASTM A-307 plated
- **Slide Pad:** UHMW Polyethylene (PTFE Optional)
- **Coating:** Primer coated or hot dipped galvanized

Other coatings available upon request

Formal Submittal Sheets available

Model B6100 Wide Base Sliding Insulated Pipe Support

Heavy Duty,
Base Mounted



Contact factory for other dimensional, temperature, load, or axial travel requirements. Available in all insulation thickness.

The load ratings represent average values obtained in accordance with accepted test methods and are subject to normal manufacturing variations. Dimensions and ratings are subject to change without notice.

Note: For higher load ratings, see: B6200 - For lateral restraint, see: B4100 - For minimal lateral travel, see: B2100.

Pipe Size	Vert. Load	Insul. Thk. = 1"			Insul. Thk. = 1-1/2"			Insul. Thk. = 2"			Insul. Thk. = 2-1/2"			Insul. Thk. = 3"			Insul. Thk. = 4"			Insul. Thk. = 5"		
		L = +/- 1-1/2			L = +/- 1-3/4			L = +/- 2			L = +/- 2-1/4			L = +/- 2-1/2			L = +/- 3			L = +/- 3-1/2		
		B	C	E	B	C	E	B	C	E	B	C	E	B	C	E	B	C	E	B	C	E
1/2	280	4	5.25	3.25	4	6.25	4.375	4	7.25	5.375	4	8.75	7	6	9.75	8	6	11.75	10	8	13.75	12.125
3/4	350	4	5.25	3.25	4	6.25	4.375	4	7.25	5.375	4	8.75	7	6	9.75	8	6	11.75	10	8	13.75	12.25
1	450	4	5.75	3.875	4	6.75	5	4	7.75	6.062	4	8.75	7	6	9.75	8	6	11.75	10	8	13.75	12.25
1 1/2	650	4	6.25	4.5	4	7.25	5.5	4	8.75	7.125	4	9.75	8.125	6	10.75	9.125	6	12.75	11.25	8	14.75	13.25
2	750	4	6.75	5	4	7.75	6.0625	4	8.75	7.125	4	9.75	8.125	6	10.75	9.125	6	12.75	11.25	8	14.75	13.25
2 1/2	920	4	7.25	5.5	4	8.75	7.125	4	9.75	8.125	4	10.75	9.125	6	11.75	10.125	6	13.75	12.25	8	15.75	14.5
3	1060	4	7.75	6.187	4	8.75	7.125	4	9.75	8.125	4	10.75	9.125	6	11.75	10.125	6	13.75	12.375	8	15.75	14.625
4	1680	4	8.25	7.25	4	9.25	8.25	4	10.25	9.25	4	11.25	10.25	6	12.25	11.375	6	14.25	13.375	8	16.25	15.625
5	2100	4	9	8.5	4	10	9.5	4	11	10.5	4	12	11.625	6	13	12.625	6	15	14.875	8	17	16.875
6	2550	4	9.5	9.5	4	10.5	10.5	4	11.5	11.625	4	12.5	12.625	6	13.5	13.625	6	15.5	15.875	8	17.5	17.875
8	3400	4	10.5	11.625	4	11.5	12.625	4	12.5	13.625	6	13.5	14.875	6	14.5	15.875	6	16.5	18.125	8	18.5	20.125
10	4000	4	11.5	13.875	4	12.5	15.125	4	13.5	16.125	6	14.5	17.125	6	15.5	18.125	6	17.5	20.125	8	19.5	22.125
12	4400	4	12.5	16.125	4	13.5	17.125	4	14.5	18.125	6	15.5	19.125	6	16.5	20.125	6	18.5	22.125	8	20.5	24.125
14	5000	4	13	17.125	4	14	18.125	4	15	19.125	6	16	20.125	6	17	21.125	6	19	23.125	8	21	25.125
16	5800	4	14	19.375	4	15	20.375	6	16	21.375	6	17	22.375	6	18	23.375	8	20	25.375	8	22	27.375
18	6400	4	15	21.375	4	16	22.375	6	17	23.375	6	18	24.375	6	19	25.375	8	21	27.375	8	23	29.375
20	6800	4	16	23.375	4	17	24.375	6	18	25.375	6	19	26.375	6	20	27.375	8	22	29.375	8	24	31.375
24	7200	4	18.5	27.375	4	19.5	28.375	6	20	29.375	6	21	30.375	6	22	31.375	8	24	33.375	8	26	35.375
30	9400	4	23.5	33.625	6	24	34.625	6	25	35.625	6	25.5	36.625	6	26	37.625	8	27.5	39.625	8	29	41.625
36	11000	4	27.5	40.125	6	28.5	41.125	6	29	42.125	6	29.5	43.125	6	30.5	44.125	8	32	46.125	8	33.5	48.125
42	12400	4	32	46.125	6	32.5	47.125	6	33.5	48.125	6	34	49.125	6	34.5	50.125	8	36	52.125	8	37.5	54.125

Application:

Model B6100 is designed for use on:

- Hot water
- Steam
- Cold water
- Air
- Chilled water
- Gas
- Dual temperature
- Vacuum

Intended for installation on:

- Flat surfaces

Temperature Range:

Standard: +40°F to +1200°F CalSil Insulation

Note: Up to 1800°F available upon request.

Cryogenic: -275°F to +275°F Urethane Insulation.

Add U after the model number (i.e., B6100U)

Features:

- All pipe sizes
- Easy installation
- Eliminates welding to pipe
- Overlapping galvanized sheet metal jacket
- Insulating structural inserts for load transfer
- Stainless steel to UHMW polyethylene slide
- Other I.D.'s and/or O.D.'s available on request
- Factory mounted polyethylene slide pad on steel mounting plate

Performance test results on file:

Available upon request.

Material Data:

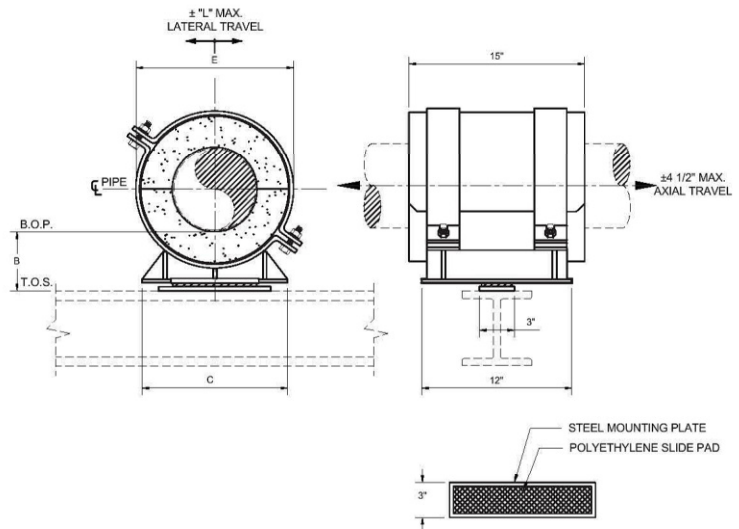
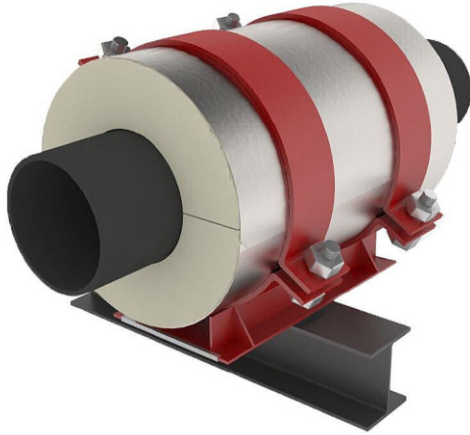
- B6100:** Applicable PSI spec. doc.: No. 209
- Insulation:** Calcium silicate asbestos-free, treated with water repellant
- Jackets:** Galvanized steel ASTM A-653
- Glue:** Industrial contact adhesive
- Structural Inserts:** High-density calcium silicate asbestos free, treated with water repellant
- Steel Straps/Base:** Carbon steel ASTM A-36
- Fasteners:** ASTM A-307 plated
- Slide Pad:** UHMW Polyethylene (PTFE optional)
- Coating:** Primer coated or hot dipped galvanized

Other coatings available upon request

Formal submittal sheets available

Model B6200 Wide Base Sliding Insulated Pipe Support

Heavy Duty,
Base Mounted



Contact factory for other dimensional, temperature, load, or axial travel requirements. Available in all insulation thickness.

The load ratings represent average values obtained in accordance with accepted test methods and are subject to normal manufacturing variations. Dimensions and ratings are subject to change without notice.

Note: For higher load ratings, see: B6300 - For lateral restraint, see: B4200 - For minimal lateral travel, see: B2200.

Pipe Size	Vert. Load	Insul. Thk. = 1"			Insul. Thk. = 1-1/2"			Insul. Thk. = 2"			Insul. Thk. = 2-1/2"			Insul. Thk. = 3"			Insul. Thk. = 4"			Insul. Thk. = 5"		
		L = +/- 1-1/2			L = +/- 1-3/4			L = +/- 2			L = +/- 2-1/4			L = +/- 2-1/2			L = +/- 3			L = +/- 3-1/2		
		B	C	E	B	C	E	B	C	E	B	C	E	B	C	E	B	C	E	B	C	E
1/2	400	4	5.25	3.25	4	6.25	4.375	4	7.25	5.375	4	8.75	7	6	9.75	8	6	11.75	10	8	13.75	12.125
3/4	500	4	5.25	3.25	4	6.25	4.375	4	7.25	5.375	4	8.75	7	6	9.75	8	6	11.75	10	8	13.75	12.25
1	650	4	5.75	4	4	6.75	5	4	7.75	6.062	4	8.75	7.125	6	9.75	8.125	6	11.75	10.125	8	13.75	12.25
1 1/2	950	4	6.25	4.5	4	7.25	5.5	4	8.75	7.125	4	9.75	8.125	6	10.75	9.125	6	12.75	11.25	8	14.75	13.25
2	1100	4	6.75	5	4	7.75	6.1875	4	8.75	7.125	4	9.75	8.125	6	10.75	9.125	6	12.75	11.25	8	14.75	13.25
2 1/2	1350	4	7.25	5.5	4	8.75	7.125	4	9.75	8.125	4	10.75	9.125	6	11.75	10.125	6	13.75	12.25	8	15.75	14.5
3	1600	4	7.75	6.1875	4	8.75	7.125	4	9.75	8.125	4	10.75	9.125	6	11.75	10.125	6	13.75	12.375	8	15.75	14.625
4	2500	4	8.25	7.25	4	9.25	8.25	4	10.25	9.25	4	11.25	10.25	6	12.25	11.375	6	14.25	13.375	8	16.25	15.625
5	3100	4	9	8.5	4	10	9.5	4	11	10.5	4	12	11.625	6	13	12.625	6	15	14.875	8	17	16.875
6	3800	4	9.5	9.5	4	10.5	10.5	4	11.5	11.625	4	12.5	12.625	6	13.5	13.625	6	15.5	15.875	8	17.5	17.875
8	5100	4	10.5	11.625	4	11.5	12.625	4	12.5	13.625	6	13.5	14.875	6	14.5	15.875	6	16.5	18.125	8	18.5	20.125
10	6000	4	11.5	13.875	4	12.5	15.125	4	13.5	16.125	6	14.5	17.125	6	15.5	18.125	6	17.5	20.125	8	19.5	22.125
12	6600	4	12.5	16.125	4	13.5	17.125	4	14.5	18.125	6	15.5	19.125	6	16.5	20.125	6	18.5	22.125	8	20.5	24.125
14	7500	4	13	17.125	4	14	18.125	4	15	19.125	6	16	20.125	6	17	21.125	6	19	23.125	8	21	25.125
16	8700	4	14	19.375	4	15	20.375	6	16	21.375	6	17	22.375	6	18	23.375	8	20	25.375	8	22	27.375
18	9600	4	15	21.375	4	16	22.375	6	17	23.375	6	18	24.375	6	19	25.375	8	21	27.375	8	23	29.375
20	10200	4	16	23.375	4	17	24.375	6	18	25.375	6	19	26.375	6	20	27.375	8	22	29.375	8	24	31.375
24	10800	4	18.5	27.375	4	19.5	28.375	6	20	29.375	6	21	30.375	6	22	31.375	8	24	33.375	8	26	35.375
30	14100	4	23.5	33.625	6	24	34.625	6	25	35.625	6	25.5	36.625	6	26	37.625	8	27.5	39.625	8	29	41.625
36	16500	4	27.5	40.125	6	28.5	41.125	6	29	42.125	6	29.5	43.125	6	30.5	44.125	8	32	46.125	8	33.5	48.125
42	18600	4	32	46.125	6	32.5	47.125	6	33.5	48.125	6	34	49.125	6	34.5	50.125	8	36	52.125	8	37.5	54.125

Application:

Model B6200 is designed for use on:

- Hot water
- Cold water
- Chilled water
- Dual temperature
- Steam
- Air
- Gas
- Vacuum

Intended for installation on:

- Flat surfaces

Temperature Range:

Standard: +40°F to +1200°F CalSil Insulation

Note: Up to 1800°F available upon request.

Cryogenic: -275°F to +275°F Urethane Insulation.

Add U after the model number (i.e., B6200U)

Features:

- All pipe sizes
- Easy installation
- Eliminates welding to pipe
- Overlapping galvanized sheet metal jacket
- Insulating structural inserts for load transfer
- Stainless steel to UHMW polyethylene slide
- Other I.D.'s and/or O.D.'s available on request
- Factory mounted polyethylene slide pad on steel mounting plate

Performance test results on file:

Available upon request.

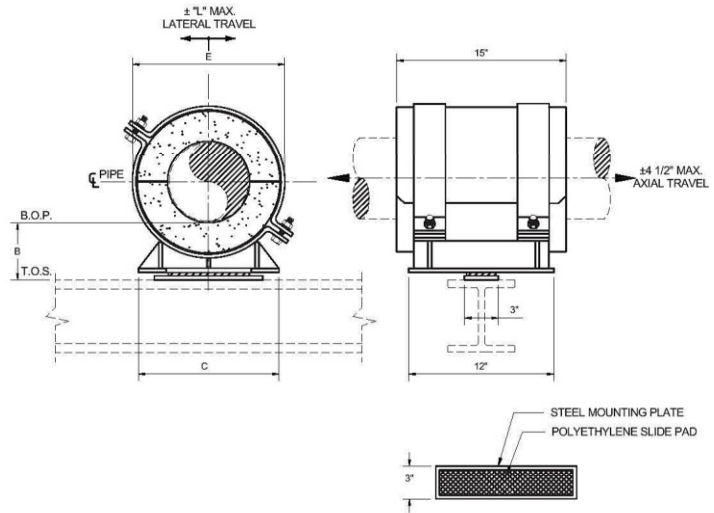
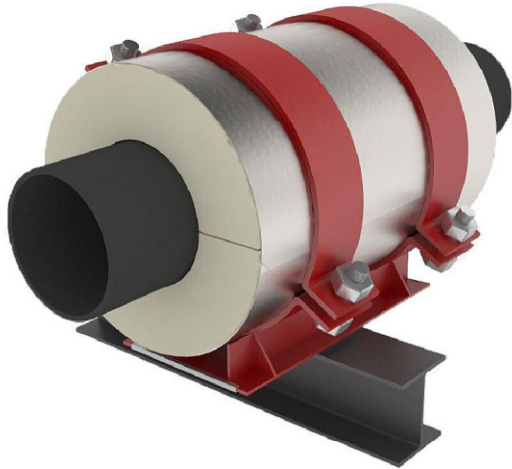
Material Data:

- **B6200:** Applicable PSI spec. doc.: No. 209
- **Insulation:** Calcium silicate asbestos-free, treated with water repellant
- **Jackets:** Galvanized steel ASTM A-653
- **Glue:** Industrial contact adhesive
- **Structural Inserts:** High-density calcium silicate asbestos free, treated with water repellant
- **Steel Straps/Base:** Carbon steel ASTM A-36
- **Fasteners:** ASTM A-307 plated
- **Slide Pad:** UHMW Polyethylene (PTFE optional)
- **Coating:** Primer coated or hot dipped galvanized.

Other coatings available upon request

Formal submittal sheets available

Model B6300 Wide Base Sliding Insulated Pipe Support Heavy Duty, Base Mounted



Contact factory for other dimensional, temperature, load, or axial travel requirements. Available in all insulation thickness.

The load ratings represent average values obtained in accordance with accepted test methods and are subject to normal manufacturing variations. Dimensions and ratings are subject to change without notice.

Note: For higher load rating contact factory - For lateral restraint, see: B4300 - For minimal lateral travel, see: B2300.

Pipe Size	Vert. Load	Insul. Thk. = 1" L = +/- 1-1/2			Insul. Thk. = 1-1/2" L = +/- 1-3/4			Insul. Thk. = 2" L = +/- 2			Insul. Thk. = 2-1/2" L = +/- 2-1/4			Insul. Thk. = 3" L = +/- 2-1/2			Insul. Thk. = 4" L = +/- 3			Insul. Thk. = 5" L = +/- 3-1/2		
		B	C	E	B	C	E	B	C	E	B	C	E	B	C	E	B	C	E	B	C	E
1/2	550	4	5.25	3.375	4	6.25	4.5	4	7.25	5.5	4	8.75	7.125	6	9.75	8.125	6	11.75	10.125	8	13.75	12.25
	700	4	5.25	3.375	4	6.25	4.5	4	7.25	5.5	4	8.75	7.125	6	9.75	8.125	6	11.75	10.125	8	13.75	12.25
1	900	4	5.75	4	4	6.75	5	4	7.75	6.062	4	8.75	7.125	6	9.75	8.125	6	11.75	10.125	8	13.75	12.25
	1300	4	6.25	4.5	4	7.25	5.5	4	8.75	7.125	4	9.75	8.125	6	10.75	9.125	6	12.75	11.25	8	14.75	13.25
2	1500	4	6.75	5	4	7.75	6.0625	4	8.75	7.125	4	9.75	8.125	6	10.75	9.125	6	12.75	11.25	8	14.75	13.25
2 1/2	1800	4	7.25	5.5	4	8.75	7.125	4	9.75	8.125	4	10.75	9.125	6	11.75	10.125	6	13.75	12.375	8	15.75	14.625
	2100	4	7.75	6.187	4	8.75	7.125	4	9.75	8.125	4	10.75	9.125	6	11.75	10.125	6	13.75	12.375	8	15.75	14.625
4	3350	4	8.25	7.25	4	9.25	8.25	4	10.25	9.25	4	11.25	10.25	6	12.25	11.375	6	14.25	13.375	8	16.25	15.625
	4200	4	9	8.5	4	10	9.5	4	11	10.5	4	12	11.625	6	13	12.625	6	15	14.875	8	17	16.875
6	5100	4	9.5	9.5	4	10.5	10.5	4	11.5	11.625	4	12.5	12.625	6	13.5	13.625	6	15.5	15.875	8	17.5	17.875
8	6800	4	10.5	11.625	4	11.5	12.625	4	12.5	13.625	6	13.5	14.875	6	14.5	15.875	6	16.5	18.125	8	18.5	20.125
10	8000	4	11.5	13.875	4	12.5	15.125	4	13.5	16.125	6	14.5	17.125	6	15.5	18.125	6	17.5	20.125	8	19.5	22.125
12	8800	4	12.5	16.125	4	13.5	17.125	4	14.5	18.125	6	15.5	19.125	6	16.5	20.125	6	18.5	22.125	8	20.5	24.125
14	10000	4	13	17.125	4	14	18.125	4	15	19.125	6	16	20.125	6	17	21.125	6	19	23.125	8	21	25.125
16	11600	4	14	19.375	4	15	20.375	6	16	21.375	6	17	22.375	6	18	23.375	8	20	25.375	8	22	27.375
18	12800	4	15	21.375	4	16	22.375	6	17	23.375	6	18	24.375	6	19	25.375	8	21	27.375	8	23	29.375
20	13600	4	16	23.375	4	17	24.375	6	18	25.375	6	19	26.375	6	20	27.375	8	22	29.375	8	24	31.375
24	14400	4	18.5	27.375	4	19.5	28.375	6	20	29.375	6	21	30.375	6	22	31.375	8	24	33.375	8	26	35.375
30	18800	4	23.5	33.625	6	24	34.625	6	25	35.625	6	25.5	36.625	6	26	37.625	8	27.5	39.625	8	29	41.625
36	22000	4	27.5	40.125	6	28.5	41.125	6	29	42.125	6	29.5	43.125	6	30.5	44.125	8	32	46.125	8	33.5	48.125
42	24800	4	32	46.125	6	32.5	47.125	6	33.5	48.125	6	34	49.125	6	34.5	50.125	8	36	52.125	8	37.5	54.125

Application:

Model B6300 is designed for use on:

- Hot water
- Cold water
- Chilled water
- Dual temperature
- Steam
- Air
- Gas
- Vacuum

Intended for installation on:

- Flat surfaces

Temperature Range:

Standard: +40°F to +1200°F CalSil Insulation

Note: Up to 1800°F available upon request.

Cryogenic: -275°F to +275°F Urethane Insulation.

Add U after the model number (i.e., B6300U)

Features:

- All pipe sizes
- Easy installation
- Eliminates welding to pipe
- Overlapping galvanized sheet metal jacket
- Insulating structural inserts for load transfer
- Stainless steel to UHMW polyethylene slide
- Other I.D.'s and/or O.D.'s available on request
- Factory mounted polyethylene slide pad on steel mounting plate

Performance test results on file:

Available upon request.

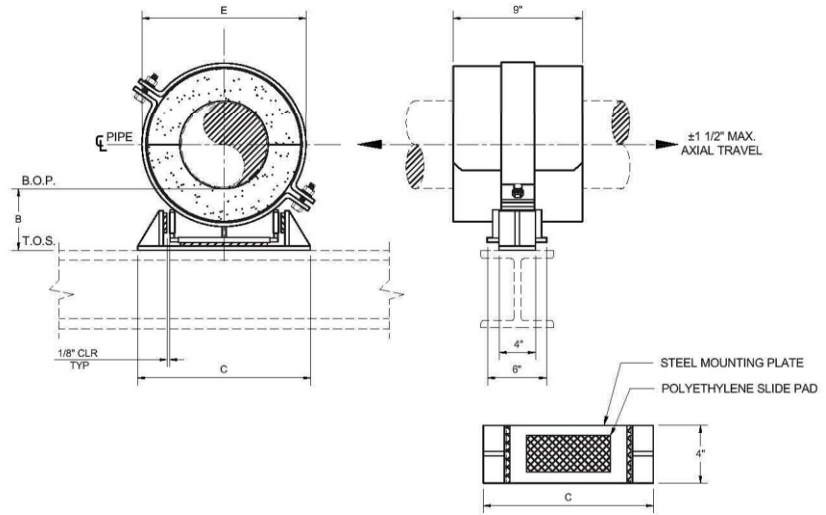
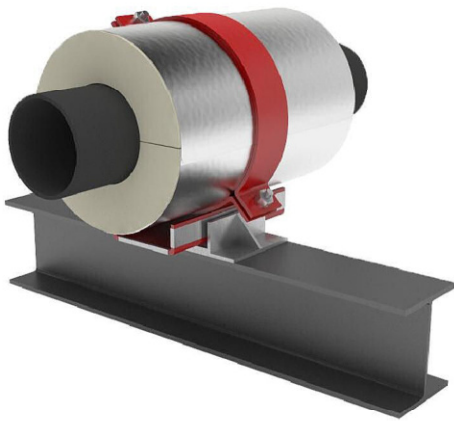
Material Data:

- **B6300:** Applicable PSI spec. doc.: No. 209
 - **Insulation:** Calcium silicate asbestos-free, treated with water repellent
 - **Jackets:** Galvanized steel ASTM A-653
 - **Glue:** Industrial contact adhesive
 - **Structural Inserts:** High-density calcium silicate asbestos free, treated with water repellent
 - **Steel Straps/Base:** Carbon steel ASTM A-36
 - **Fasteners:** ASTM A-307 plated
 - **Slide Pad:** UHMW Polyethylene (PTFE optional)
 - **Coating:** Primer coated or hot dipped galvanized
- Other coatings available upon request

Formal Submittal Sheets available

Model B7000 Laterally Restrained Insulated Pipe Support

Heavy Duty,
Base Mounted



Contact factory for other dimensional, temperature, load, or axial travel requirements. If lateral load is greater than 50% of actual vertical load, contact factory. Available in all insulation thickness.

The load ratings represent average values obtained in accordance with accepted test methods and are subject to normal manufacturing variations. Dimensions and ratings are subject to change without notice.

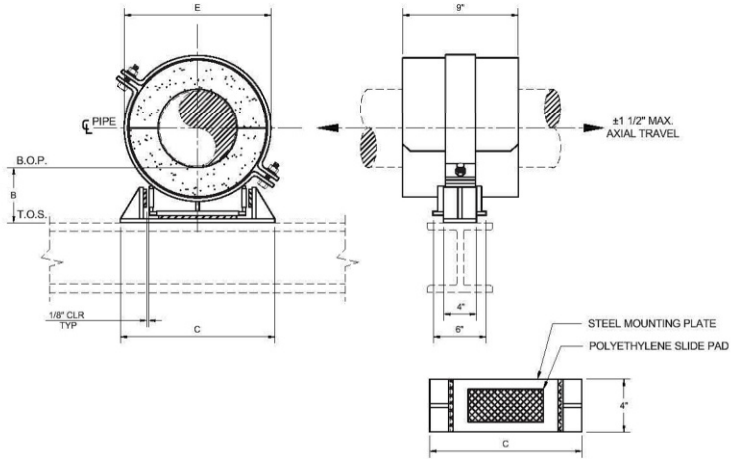
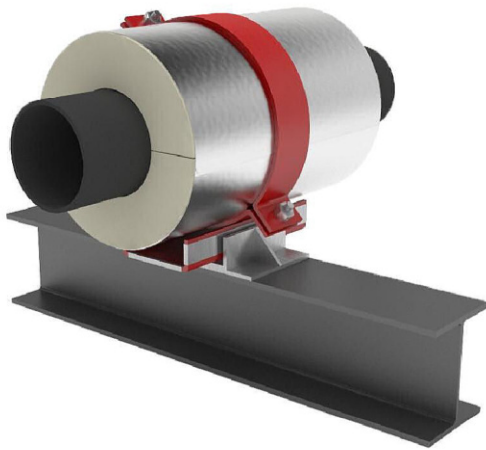
Note: For higher load ratings, see: B7100 - For greater axial travel, see: B8000 - For lateral travel, see: B5000.

Pipe Size	Vert. Load	Insul. Thk. = 1"			Insul. Thk. = 1-1/2"			Insul. Thk. = 2"			Insul. Thk. = 2-1/2"			Insul. Thk. = 3"			Insul. Thk. = 4"			Insul. Thk. = 5"		
		B	C	E	B	C	E	B	C	E	B	C	E	B	C	E	B	C	E	B	C	E
1/2	125	4	3.5	3.25	4	4	4.375	4	4.5	5.375	4	6	7	6	6.5	8	6	8.5	10	8	10	12.125
3/4	155	4	3.5	3.25	4	4	4.375	4	4.5	5.375	4	6	7	6	6.5	8	6	8.5	10	8	10	12.125
1	200	4	4	3.875	4	4.5	4.875	4	5	5.937	4	6	7	6	6.5	8	6	8.5	10	8	10	12.25
1 1/2	290	4	4	4.375	4	4.5	5.5	4	6	7	4	6.5	8	6	7.5	9	6	9.5	11.25	8	11	13.25
2	335	4	4.5	5	4	5	6.0625	4	6	7	4	6.5	8	6	7.5	9.125	6	9.5	11.25	8	11	13.25
2 1/2	410	4	4.5	5.5	4	6	7.125	4	6.5	8.125	4	7.5	9.125	6	8.5	10.125	6	10	12.25	8	11.5	14.5
3	475	4	6.5	6.062	4	7.5	7.125	4	8	8.125	4	9	9.125	6	10	10.125	6	11.5	12.375	8	13	14.625
4	750	4	7.5	7.25	4	8	8.25	4	9	9.25	4	10	10.25	6	11	11.375	6	12.5	13.375	8	14	15.625
5	940	4	8	8.25	4	9	9.25	4	10	10.25	4	11	11.375	6	11.5	12.375	6	13	14.875	8	14.5	16.875
6	1140	4	9	9.25	4	10	10.25	4	11	11.375	4	11.5	12.625	6	12.5	13.625	6	14	15.875	8	15.5	17.875
8	1500	4	11	11.625	4	11.5	12.625	4	12.5	13.625	6	13	14.875	6	14	15.875	6	15.5	17.875	8	16.5	20.125
10	1800	4	13.5	13.625	4	14	14.875	4	15	15.875	6	15.5	16.875	6	16.5	18.125	6	17.5	20.125	8	19	22.125
12	1950	4	15	16.125	4	15.5	17.125	4	16.5	18.125	6	17	19.125	6	17.5	20.125	6	19	22.125	8	20.5	24.125
14	2250	4	16	17.125	4	17	18.125	4	17.5	19.125	6	18	20.125	6	19	21.125	6	20.5	23.125	8	21.5	25.125
16	2600	4	17.5	19.125	4	18	20.125	6	19	21.375	6	19.5	22.375	6	20.5	23.375	8	21.5	25.375	8	23	27.375
18	2850	4	19.5	21.375	4	20	22.375	6	21	23.375	6	21.5	24.375	6	22	25.375	8	23.5	27.375	8	25	29.375
20	3050	4	21	23.375	4	21.5	24.375	6	22	25.375	6	23	26.375	6	23.5	27.375	8	25	29.375	8	26.5	31.375
24	3200	4	24	27.375	4	25	28.375	6	25.5	29.375	6	26.5	30.375	6	27	31.375	8	28.5	33.375	8	30	35.375
30	4200	4	29.5	33.625	6	30	34.625	6	31	35.625	6	31.5	36.625	6	32	37.625	8	33.5	39.625	8	35	41.625
36	4900	4	34	39.625	6	35	41.125	6	35.5	42.125	6	36	43.125	6	37	44.125	8	38.5	46.125	8	40	48.125
42	5550	4	39	46.125	6	39.5	47.125	6	40.5	48.125	6	41	49.125	6	41.5	50.125	8	43	52.125	8	44.5	54.125

<p>Application:</p> <p>Model B7000 is designed for use on:</p> <ul style="list-style-type: none"> · Hot water · Cold water · Chilled water · Dual temperature · Steam · Air · Gas · Vacuum <p>Intended for installation on:</p> <ul style="list-style-type: none"> · Flat surfaces <p>Temperature Range: Standard: +40°F to +1200°F CalSil Insulation Note: Up to 1800°F available upon request. Cryogenic: -275°F to +275°F Urethane Insulation. Add U after the model number (i.e., B7000U)</p>	<p>Features:</p> <ul style="list-style-type: none"> · All pipe sizes · Easy installation · Eliminates welding to pipe · Overlapping galvanized sheet metal jacket · Insulating structural inserts for load transfer · Stainless steel to UHMW polyethylene slide · Other I.D.'s and/or O.D.'s available on request · Factory mounted polyethylene slide pad on steel mounting plate <p>Performance test results on file: Available upon request.</p>	<p>Material Data:</p> <ul style="list-style-type: none"> · B7000: Applicable PSI spec. doc.: No. 209 · Insulation: Calcium Silicate asbestos-free, treated with water repellant · Jackets: Galvanized Steel ASTM A-653 · Glue: Industrial contact adhesive · Structural Inserts: High-density calcium silicate asbestos free, treated with water repellant · Steel Straps/Base: Carbon Steel ASTM A-36 · Fasteners: ASTM A-307 plated · Slide Pad: UHMW Polyethylene (PTFE optional) · Coating: Primer coated or hot dipped galvanized <p>Other coatings available upon request</p> <p>Formal Submittal Sheets available</p>
---	--	--

Model B7100 Laterally Restrained Insulated Pipe Support

Heavy Duty,
Base Mounted



Contact factory for other dimensional, temperature, load, or axial travel requirements. If lateral load is greater than 50% of actual vertical load, contact factory. Available in all insulation thickness.

The load ratings represent average values obtained in accordance with accepted test methods and are subject to normal manufacturing variations. Dimensions and ratings are subject to change without notice.

Note: For higher load ratings, see: B7200 - For lateral restraint, see: B8100 - For minimal lateral travel, see: B5100.

Pipe Size	Vert. Load	Insul. Thk. = 1"			Insul. Thk. = 1-1/2"			Insul. Thk. = 2"			Insul. Thk. = 2-1/2"			Insul. Thk. = 3"			Insul. Thk. = 4"			Insul. Thk. = 5"		
		B	C	E	B	C	E	B	C	E	B	C	E	B	C	E	B	C	E	B	C	E
1/2	250	4	5	3.25	4	5.5	4.375	4	6	5.375	4	7.5	7	6	8	8	6	10	10	8	11.5	12.125
3/4	310	4	5	3.25	4	5.5	4.375	4	6	5.375	4	7.5	7	6	8	8	6	10	10	8	11.5	12.25
1	400	4	5.5	3.875	4	6	5	4	6.5	6.062	4	7.5	7	6	8	8	6	10	10	8	11.5	12.25
1 1/2	580	4	5.5	4.5	4	6	5.5	4	7.5	7.125	4	8	8.125	6	9	9.125	6	11	11.25	8	12.5	13.25
2	670	4	6	5	4	6.5	6.0625	4	7.5	7.125	4	8	8.125	6	9	9.125	6	11	11.25	8	12.5	13.25
2 1/2	820	4	6.5	5.5	4	8	7.125	4	8.5	8.125	4	9.5	9.125	6	10.5	10.125	6	12	12.25	8	13.5	14.5
3	950	4	7	6.187	4	8	7.125	4	8.5	8.125	4	9.5	9.125	6	10.5	10.125	6	12	12.375	8	13.5	14.625
4	1500	4	8.5	7.25	4	9	8.25	4	10	9.25	4	11	10.25	6	12	11.375	6	13.5	13.375	8	15	15.625
5	1880	4	9.5	8.5	4	10.5	9.5	4	11.5	10.5	4	12.5	11.625	6	13	12.625	6	14.5	14.875	8	16	16.875
6	2280	4	10	9.5	4	11	10.5	4	12	11.625	4	12.5	12.625	6	13.5	13.625	6	15	15.875	8	16.5	17.875
8	3000	4	13	11.625	4	13.5	12.625	4	14.5	13.625	6	15	14.875	6	16	15.875	6	17.5	18.125	8	18.5	20.125
10	3600	4	14.5	13.875	4	15	15.125	4	16	16.125	6	16.5	17.125	6	17.5	18.125	6	18.5	20.125	8	20	22.125
12	3900	4	16.5	16.125	4	17	17.125	4	18	18.125	6	18.5	19.125	6	19	20.125	6	20.5	22.125	8	22	24.125
14	4500	4	17.5	17.125	4	18.5	18.125	4	19	19.125	6	19.5	20.125	6	20.5	21.125	6	22	23.125	8	23	25.125
16	5200	4	19	19.375	4	19.5	20.375	6	20.5	21.375	6	21	22.375	6	22	23.375	8	23	25.375	8	24.5	27.375
18	5700	4	21	21.375	4	21.5	22.375	6	22.5	23.375	6	23	24.375	6	23.5	25.375	8	25	27.375	8	26.5	29.375
20	6100	4	22.5	23.375	4	23	24.375	6	23.5	25.375	6	24.5	26.375	6	25	27.375	8	26.5	29.375	8	28	31.375
24	6400	4	25.5	27.375	4	26.5	28.375	6	27	29.375	6	28	30.375	6	28.5	31.375	8	30	33.375	8	31.5	35.375
30	8400	4	31.5	33.625	6	32	34.625	6	33	35.625	6	33.5	36.625	6	34	37.625	8	35.5	39.625	8	37	41.625
36	9800	4	36	40.125	6	37	41.125	6	37.5	42.125	6	38	43.125	6	39	44.125	8	40.5	46.125	8	42	48.125
42	11100	4	41.5	46.125	6	42	47.125	6	43	48.125	6	43.5	49.125	6	44	50.125	8	45.5	52.125	8	47	54.125

Application:

Model B7100 is designed for use on:

- Hot water
- Cold water
- Chilled water
- Dual temperature
- Steam
- Air
- Gas
- Vacuum

Intended for installation on:

- Flat surfaces

Temperature Range:

Standard: +40°F to +1200°F CalSil Insulation

Note: Up to 1800°F available upon request.

Cryogenic: -275°F to +275°F Urethane Insulation.

Add U after the model number (i.e., B7100U)

Features:

- All pipe sizes
- Easy installation
- Eliminates welding to pipe
- Overlapping galvanized sheet metal jacket
- Insulating structural inserts for load transfer
- Stainless steel to UHMW polyethylene slide
- Other I.D.'s and/or O.D.'s available on request
- Factory mounted polyethylene slide pad on steel mounting plate

Performance test results on file:

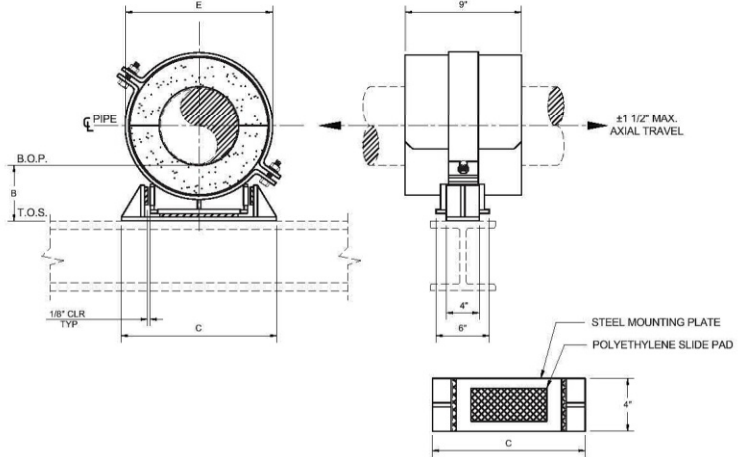
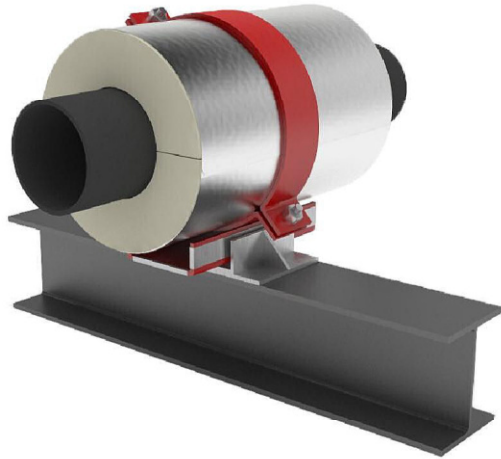
Available upon request.

Material Data:

- **B7100:** Applicable PSI spec. doc.: No. 209
 - **Insulation:** Calcium silicate asbestos-free, treated with water repellant
 - **Jackets:** Galvanized steel ASTM A-653
 - **Glue:** Industrial contact adhesive
 - **Structural Inserts:** High-density calcium silicate asbestos free, treated with water repellant
 - **Steel Straps/Base:** Carbon Steel ASTM A-36
 - **Fasteners:** ASTM A-307 plated
 - **Slide Pad:** UHMW Polyethylene (PTFE optional)
 - **Coating:** Primer coated or hot dipped galvanized
- Other coatings available upon request

Formal submittal sheets available

Model B7200 Laterally Restrained Insulated Pipe Support Heavy Duty, Base Mounted



Contact factory for other dimensional, temperature, load, or axial travel requirements. If lateral load is greater than 50% of actual vertical load, contact factory. Available in all insulation thickness.

The load ratings represent average values obtained in accordance with accepted test methods and are subject to normal manufacturing variations. Dimensions and ratings are subject to change without notice.

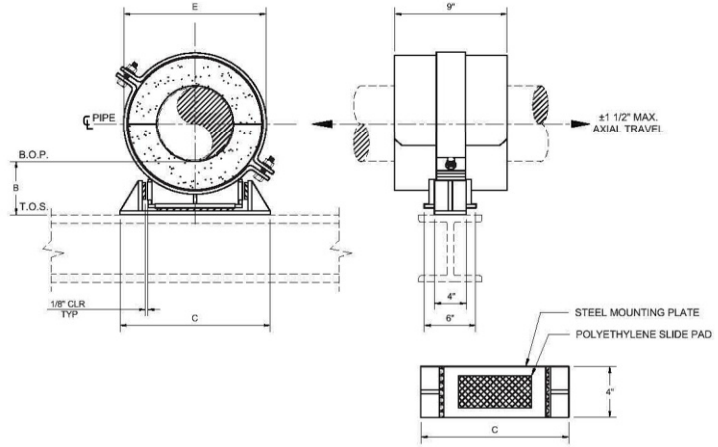
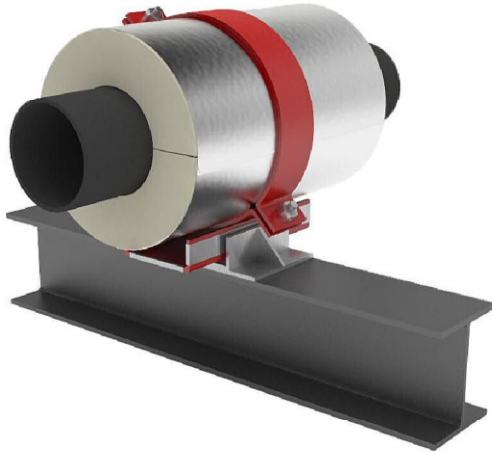
Note: For higher load ratings, see: B7300 - For greater axial travel, see: B8200 - For lateral travel, see: B5200.

Pipe Size	Vert. Load	Insul. Thk. = 1"			Insul. Thk. = 1-1/2"			Insul. Thk. = 2"			Insul. Thk. = 2-1/2"			Insul. Thk. = 3"			Insul. Thk. = 4"			Insul. Thk. = 5"		
		B	C	E	B	C	E	B	C	E	B	C	E	B	C	E	B	C	E	B	C	E
1/2	375	4	5	3.25	4	5.5	4.375	4	6	5.375	4	7.5	7	6	8	8	6	10	10	8	11.5	12.125
3/4	465	4	5	3.25	4	5.5	4.375	4	6	5.375	4	7.5	7	6	8	8	6	10	10	8	11.5	12.25
1	600	4	5.5	4	4	6	5	4	6.5	6.062	4	7.5	7.125	6	8	8.125	6	10	10.125	8	11.5	12.25
1 1/2	870	4	6	4.5	4	6.5	5.5	4	8	7.125	4	8.5	8.125	6	9.5	9.125	6	11.5	11.25	8	13	13.25
2	1005	4	7	5	4	7.5	6.1875	4	8.5	7.125	4	9	8.125	6	10	9.125	6	12	11.25	8	13.5	13.25
2 1/2	1230	4	7	5.5	4	8.5	7.125	4	9	8.125	4	10	9.125	6	11	10.125	6	12.5	12.25	8	14	14.5
3	1425	4	7.5	6.187	4	8.5	7.125	4	9	8.125	4	10	9.125	6	11	10.125	6	12.5	12.375	8	14	14.625
4	2250	4	9.5	7.25	4	10	8.25	4	11	9.25	4	12	10.25	6	13	11.375	6	14.5	13.375	8	16	15.625
5	2820	4	12.5	8.5	4	13	9.5	4	14.5	10.5	4	16	11.625	6	17	12.625	6	19	14.875	8	20.5	16.875
6	3420	4	12	9.5	4	13.5	10.5	4	15	11.625	4	16	12.625	6	17.5	13.625	6	18.5	15.875	8	20.5	17.875
8	4500	4	16	11.625	4	17	12.625	4	18.5	13.625	6	19	14.875	6	20	15.875	6	21.5	18.125	8	23	20.125
10	5400	4	19	13.875	4	19.5	15.125	4	20.5	16.125	6	21	17.125	6	22	18.125	6	23.5	20.125	8	25.5	22.125
12	5850	4	21	16.125	4	21.5	17.125	4	22.5	18.125	6	23.5	19.125	6	24	20.125	6	26	22.125	8	27.5	24.125
14	6750	4	22	17.125	4	23	18.125	4	24	19.125	6	24.5	20.125	6	25.5	21.125	6	27.5	23.125	8	28.5	25.125
16	7800	4	23.5	19.375	4	24	20.375	6	25	21.375	6	26	22.375	6	27	23.375	8	28	25.375	8	29	27.375
18	8550	4	25.5	21.375	4	26.5	22.375	6	27.5	23.375	6	28	24.375	6	28.5	25.375	8	29.5	27.375	8	31	29.375
20	9150	4	28	23.375	4	28.5	24.375	6	29	25.375	6	29.5	26.375	6	30	27.375	8	31.5	29.375	8	33	31.375
24	9600	4	31	27.375	4	32	28.375	6	32.5	29.375	6	33	30.375	6	34	31.375	8	35.5	33.375	8	37	35.375
30	12600	4	37	33.625	6	38	34.625	6	38.5	35.625	6	39.5	36.625	6	40.5	37.625	8	42	39.625	8	43.5	41.625
36	14700	4	43	40.125	6	43.5	41.125	6	44.5	42.125	6	45.5	43.125	6	46	44.125	8	47.5	46.125	8	49.5	48.125
42	16650	4	49	46.125	6	50	47.125	6	51	48.125	6	51.5	49.125	6	52.5	50.125	8	54	52.125	8	55.5	54.125

<p>Application:</p> <p>Model B7200 is designed for use on:</p> <ul style="list-style-type: none"> · Hot water · Cold water · Chilled water · Dual temperature · Steam · Air · Gas · Vacuum <p>Intended for installation on:</p> <ul style="list-style-type: none"> · Flat Surfaces <p>Temperature Range: Standard: +40°F to +1200°F CalSil Insulation Note: Up to 1800°F available upon request. Cryogenic: -275°F to +275°F Urethane Insulation. Add U after the model number (i.e., B7200U)</p>	<p>Features:</p> <ul style="list-style-type: none"> · All pipe sizes · Easy installation · Eliminates welding to pipe · Overlapping galvanized sheet metal jacket · Insulating structural inserts for load transfer · Stainless steel to UHMW polyethylene slide · Other I.D.'s and/or O.D.'s available on request · Factory mounted polyethylene slide pad on steel mounting plate <p>Performance test results on file: Available upon request.</p>	<p>Material Data:</p> <ul style="list-style-type: none"> · B7200: Applicable PSI spec. doc.: No. 209 · Insulation: Calcium silicate asbestos-free, treated with water repellant · Jackets: Galvanized steel ASTM A-653 · Glue: Industrial contact adhesive · Structural Inserts: High-density calcium silicate asbestos free, treated with water repellant · Steel Straps/Base: Carbon steel ASTM A-36 · Fasteners: ASTM A-307 plated · Slide Pad: UHMW Polyethylene (PTFE optional) · Coating: Primer coated or hot dipped galvanized <p>Other coatings available upon request</p> <p>Formal Submittal Sheets available</p>
---	--	--

Model B7300 Laterally Restrained Insulated Pipe Support

Heavy Duty,
Base Mounted



Contact factory for other dimensional, temperature, load, or axial travel requirements. If lateral load is greater than 50% of actual vertical load, contact factory. Available in all insulation thickness.

The load ratings represent average values obtained in accordance with accepted test methods and are subject to normal manufacturing variations. Dimensions and ratings are subject to change without notice.

Note: For higher load rating contact factory - For greater axial travel, see: B8300 - For lateral travel, see: B5300.

Pipe Size	Vert. Load	Insul. Thk. = 1"			Insul. Thk. = 1-1/2"			Insul. Thk. = 2"			Insul. Thk. = 2-1/2"			Insul. Thk. = 3"			Insul. Thk. = 4"			Insul. Thk. = 5"		
		B	C	E	B	C	E	B	C	E	B	C	E	B	C	E	B	C	E	B	C	E
1/2	500	4	5	3.375	4	5.5	4.5	4	6	5.5	4	7.5	7.125	6	8	8.125	6	10	10.125	8	11.5	12.25
3/4	620	4	5	3.375	4	5.5	4.5	4	6	5.5	4	7.5	7.125	6	8	8.125	6	10	10.125	8	11.5	12.25
1	800	4	5.5	4	4	6	5	4	6.5	6.062	4	7.5	7.125	6	8	8.125	6	10	10.125	8	11.5	12.25
1 1/2	1160	4	6	4.5	4	6.5	5.5	4	8	7.125	4	8.5	8.125	6	9.5	9.125	6	11.5	11.25	8	13	13.25
2	1340	4	7	5	4	7.5	6.0625	4	8.5	7.125	4	9	8.125	6	10	9.125	6	12	11.25	8	13.5	13.25
2 1/2	1640	4	7	5.5	4	8.5	7.125	4	9	8.125	4	10	9.125	6	11	10.125	6	12.5	12.375	8	14	14.625
3	1900	4	8	6.187	4	9	7.125	4	9.5	8.125	4	10.5	9.125	6	11.5	10.125	6	13	12.375	8	14.5	14.625
4	3000	4	10	7.25	4	10.5	8.25	4	11.5	9.25	4	12.5	10.25	6	13.5	11.375	6	15	13.375	8	16.5	15.625
5	3760	4	13	8.5	4	13.5	9.5	4	15	10.5	4	16.5	11.625	6	17.5	12.625	6	19.5	14.875	8	21	16.875
6	4560	4	13	9.5	4	14.5	10.5	4	16	11.625	4	17	12.625	6	18.5	13.625	6	19.5	15.875	8	21.5	17.875
8	6000	4	17	11.625	4	18	12.625	4	19.5	13.625	6	20	14.875	6	21	15.875	6	22.5	18.125	8	24	20.125
10	7200	4	20	13.875	4	20.5	15.125	4	21.5	16.125	6	22	17.125	6	23	18.125	6	24.5	20.125	8	26.5	22.125
12	7800	4	21.5	16.125	4	22	17.125	4	23	18.125	6	24	19.125	6	24.5	20.125	6	26.5	22.125	8	28	24.375
14	9000	4	22.5	17.125	4	23.5	18.125	4	24.5	19.125	6	25	20.125	6	26	21.125	6	28	23.375	8	29	25.375
16	10400	4	24.5	19.375	4	25	20.375	6	26	21.375	6	27	22.375	6	28	23.375	8	29	25.375	8	30	27.375
18	11400	4	26.5	21.375	4	27.5	22.375	6	28.5	23.375	6	29	24.375	6	29.5	25.375	8	30.5	27.375	8	32	29.375
20	12200	4	29	23.375	4	29.5	24.375	6	30	25.375	6	30.5	26.375	6	31	27.375	8	32.5	29.375	8	34	31.375
24	12800	4	31.5	27.375	4	32.5	28.375	6	33	29.375	6	33.5	30.375	6	34.5	31.375	8	36	33.625	8	37.5	35.625
30	16800	4	37.5	33.625	6	38.5	34.625	6	39	35.625	6	40	37.125	6	41	38.125	8	42.5	40.125	8	44	42.125
36	19600	4	44	40.125	6	44.5	41.125	6	45.5	42.125	6	46.5	43.125	6	47	44.125	8	48.5	46.125	8	50.5	48.125
42	22200	4	50	46.125	6	51	47.125	6	52	48.125	6	52.5	49.125	6	53.5	50.125	8	55	52.125	8	56.5	54.125

Application:

Model B7300 is designed for use on:

- Hot water
- Cold water
- Chilled water
- Dual temperature
- Steam
- Air
- Gas
- Vacuum

Intended for installation on:

- Flat surfaces

Temperature Range:

Standard: +40°F to +1200°F CalSil Insulation

Note: Up to 1800°F available upon request.

Cryogenic: -275°F to +275°F Urethane Insulation.

Add U after the model number (i.e., B7300U)

Features:

- All pipe sizes
- Easy installation
- Eliminates welding to pipe
- Overlapping galvanized sheet metal jacket
- Insulating structural inserts for load transfer
- Stainless steel to UHMW polyethylene slide
- Other I.D.'s and/or O.D.'s available on request
- Factory mounted polyethylene slide pad on steel mounting plate

Performance test results on file:

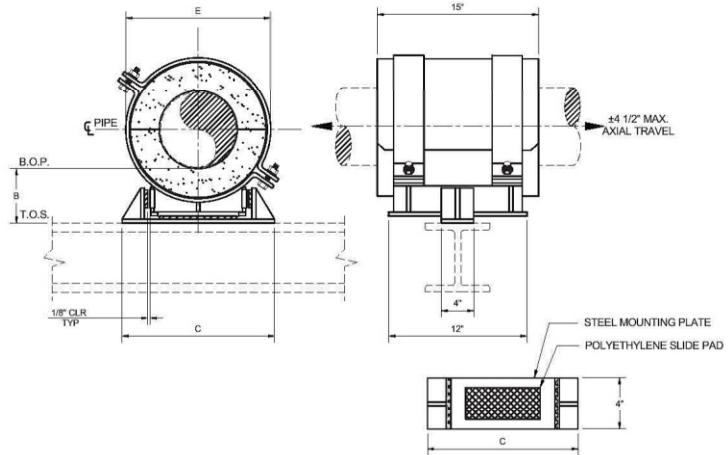
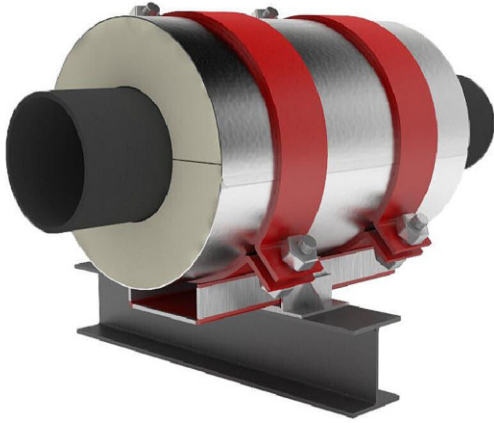
Available upon request.

Material Data:

- **B7300:** Applicable PSI spec. doc.: No. 209
 - **Insulation:** Calcium silicate asbestos-free, treated with water repellent
 - **Jackets:** Galvanized steel ASTM A-653
 - **Glue:** Industrial contact adhesive
 - **Structural Inserts:** High-density calcium silicate asbestos free, treated with water repellent
 - **Steel Straps/Base:** Carbon steel ASTM A-36
 - **Fasteners:** ASTM A-307 plated
 - **Slide Pad:** UHMW Polyethylene (PTFE optional)
 - **Coating:** Primer coated or hot dipped galvanized
- Other coatings available upon request

Formal submittal sheets available

Model B8000 Laterally Restrained Insulated Pipe Support Heavy Duty, Base Mounted



Contact factory for other dimensional, temperature, load, or axial travel requirements. If lateral load is greater than 50% of actual vertical load, contact factory. Available in all insulation thickness.

The load ratings represent average values obtained in accordance with accepted test methods and are subject to normal manufacturing variations. Dimensions and ratings are subject to change without notice.

Note: For higher load ratings, see: B8100 - For lateral travel, see: B6000.

Pipe Size	Vert. Load	Insul. Thk. = 1"			Insul. Thk. = 1-1/2"			Insul. Thk. = 2"			Insul. Thk. = 2-1/2"			Insul. Thk. = 3"			Insul. Thk. = 4"			Insul. Thk. = 5"		
		B	C	E	B	C	E	B	C	E	B	C	E	B	C	E	B	C	E	B	C	E
1/2	125	4	3.5	3.25	4	4	4.375	4	4.5	5.375	4	6	7	6	6.5	8	6	8.5	10	8	10	12.125
3/4	155	4	3.5	3.25	4	4	4.375	4	4.5	5.375	4	6	7	6	6.5	8	6	8.5	10	8	10	12.125
1	200	4	4	3.875	4	4.5	4.875	4	5	5.937	4	6	7	6	6.5	8	6	8.5	10	8	10	12.25
1 1/2	290	4	4	4.375	4	4.5	5.5	4	6	7	4	6.5	8	6	7.5	9	6	9.5	11.25	8	11	13.25
2	335	4	4.5	5	4	5	6.0625	4	6	7	4	6.5	8	6	7.5	9.125	6	9.5	11.25	8	11	13.25
2 1/2	410	4	4.5	5.5	4	6	7.125	4	6.5	8.125	4	7.5	9.125	6	8.5	10.125	6	10	12.25	8	11.5	14.5
3	475	4	6.5	6.062	4	7.5	7.125	4	8	8.125	4	9	9.125	6	10	10.125	6	11.5	12.375	8	13	14.625
4	750	4	7.5	7.25	4	8	8.25	4	9	9.25	4	10	10.25	6	11	11.375	6	12.5	13.375	8	14	15.625
5	940	4	8	8.25	4	9	9.25	4	10	10.25	4	11	11.375	6	11.5	12.375	6	13	14.875	8	14.5	16.875
6	1140	4	9	9.25	4	10	10.25	4	11	11.375	4	11.5	12.625	6	12.5	13.625	6	14	15.875	8	15.5	17.875
8	1500	4	11	11.625	4	11.5	12.625	4	12.5	13.625	6	13	14.875	6	14	15.875	6	15.5	17.875	8	16.5	20.125
10	1800	4	13.5	13.625	4	14	14.875	4	15	15.875	6	15.5	16.875	6	16.5	18.125	6	17.5	20.125	8	19	22.125
12	1950	4	15	16.125	4	15.5	17.125	4	16.5	18.125	6	17	19.125	6	17.5	20.125	6	19	22.125	8	20.5	24.125
14	2250	4	16	17.125	4	17	18.125	4	17.5	19.125	6	18	20.125	6	19	21.125	6	20.5	23.125	8	21.5	25.125
16	2600	4	17.5	19.125	4	18	20.125	6	19	21.375	6	19.5	22.375	6	20.5	23.375	8	21.5	25.375	8	23	27.375
18	2850	4	19.5	21.375	4	20	22.375	6	21	23.375	6	21.5	24.375	6	22	25.375	8	23.5	27.375	8	25	29.375
20	3050	4	21	23.375	4	21.5	24.375	6	22	25.375	6	23	26.375	6	23.5	27.375	8	25	29.375	8	26.5	31.375
24	3200	4	24	27.375	4	25	28.375	6	25.5	29.375	6	26.5	30.375	6	27	31.375	8	28.5	33.375	8	30	35.375
30	4200	4	29.5	33.625	6	30	34.625	6	31	35.625	6	31.5	36.625	6	32	37.625	8	33.5	39.625	8	35	41.625
36	4900	4	34	39.625	6	35	41.125	6	35.5	42.125	6	36	43.125	6	37	44.125	8	38.5	46.125	8	40	48.125
42	5550	4	39	46.125	6	39.5	47.125	6	40.5	48.125	6	41	49.125	6	41.5	50.125	8	43	52.125	8	44.5	54.125

Application:

Model B8000 is designed for use on:

- Hot water
- Cold water
- Chilled water
- Dual temperature
- Steam
- Air
- Gas
- Vacuum

Intended for installation on:

- Flat surfaces

Temperature Range:
Standard: +40°F to +1200°F CalSil Insulation
Note: Up to 1800°F available upon request.
Cryogenic: -275°F to +275°F Urethane Insulation.
 Add U after the model number (i.e., B8000U)

Features:

- All pipe sizes
- Easy installation
- Eliminates welding to pipe
- Overlapping galvanized sheet metal jacket
- Insulating structural inserts for load transfer
- Stainless steel to UHMW polyethylene slide
- Other I.D.'s and/or O.D.'s available on request
- Factory mounted polyethylene slide pad on steel mounting plate

Performance test results on file:
 Available upon request.

Material Data:

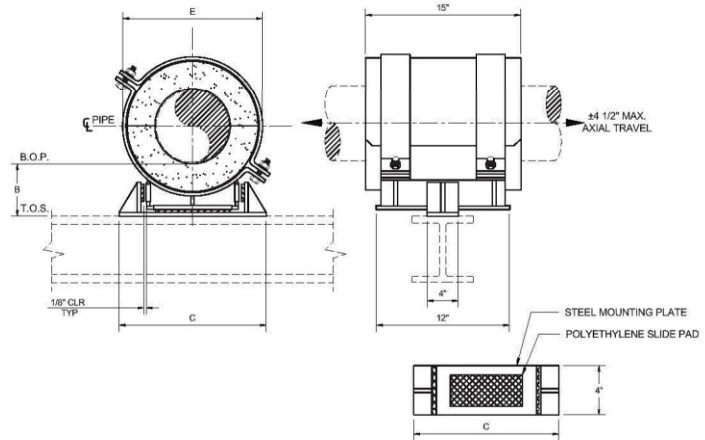
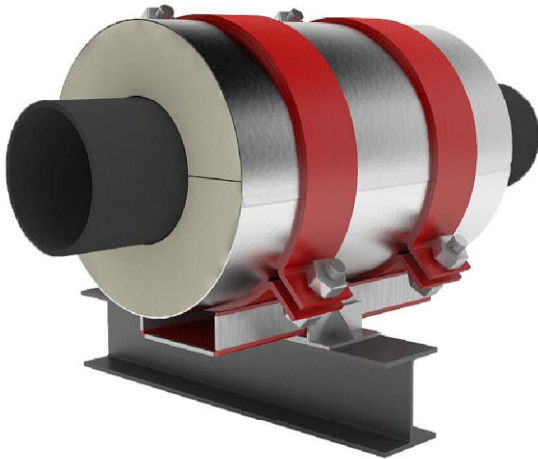
- **B8000:** Applicable PSI spec. doc.: No. 209
- **Insulation:** Calcium Silicate asbestos-free, treated with water repellent
- **Jackets:** Galvanized steel ASTM A-653
- **Glue:** Industrial contact adhesive
- **Structural Inserts:** High-density calcium silicate asbestos free, treated with water repellent
- **Steel Straps/Base:** Carbon Steel ASTM A-36
- **Fasteners:** ASTM A-307 plated
- **Slide Pad:** UHMW Polyethylene (PTFE optional)
- **Coating:** Primer coated or hot dipped galvanized

Other coatings available upon request

Formal Submittal Sheets available

Model B8100 Laterally Restrained Insulated Pipe Support

Heavy Duty,
Base Mounted



Contact factory for other dimensional, temperature, load, or axial travel requirements. If lateral load is greater than 50% of actual vertical load, contact factory. Available in all insulation thickness.

The load ratings represent average values obtained in accordance with accepted test methods and are subject to normal manufacturing variations. Dimensions and ratings are subject to change without notice.

Note: For higher load ratings, see: B8200 - For lateral travel, see: B6100.

Pipe Size	Vert. Load	Insul. Thk. = 1"			Insul. Thk. = 1-1/2"			Insul. Thk. = 2"			Insul. Thk. = 2-1/2"			Insul. Thk. = 3"			Insul. Thk. = 4"			Insul. Thk. = 5"		
		B	C	E	B	C	E	B	C	E	B	C	E	B	C	E	B	C	E	B	C	E
1/2	250	4	5	3.25	4	5.5	4.375	4	6	5.375	4	7.5	7	6	8	8	6	10	10	8	11.5	12.125
3/4	310	4	5	3.25	4	5.5	4.375	4	6	5.375	4	7.5	7	6	8	8	6	10	10	8	11.5	12.25
1	400	4	5.5	3.875	4	6	5	4	6.5	6.062	4	7.5	7	6	8	8	6	10	10	8	11.5	12.25
1 1/2	580	4	5.5	4.5	4	6	5.5	4	7.5	7.125	4	8	8.125	6	9	9.125	6	11	11.25	8	12.5	13.25
2	670	4	6	5	4	6.5	6.0625	4	7.5	7.125	4	8	8.125	6	9	9.125	6	11	11.25	8	12.5	13.25
2 1/2	820	4	6.5	5.5	4	8	7.125	4	8.5	8.125	4	9.5	9.125	6	10.5	10.125	6	12	12.25	8	13.5	14.5
3	950	4	7	6.187	4	8	7.125	4	8.5	8.125	4	9.5	9.125	6	10.5	10.125	6	12	12.375	8	13.5	14.625
4	1500	4	8.5	7.25	4	9	8.25	4	10	9.25	4	11	10.25	6	12	11.375	6	13.5	13.375	8	15	15.625
5	1880	4	9.5	8.5	4	10.5	9.5	4	11.5	10.5	4	12.5	11.625	6	13	12.625	6	14.5	14.875	8	16	16.875
6	2280	4	10	9.5	4	11	10.5	4	12	11.625	4	12.5	12.625	6	13.5	13.625	6	15	15.875	8	16.5	17.875
8	3000	4	13	11.625	4	13.5	12.625	4	14.5	13.625	6	15	14.875	6	16	15.875	6	17.5	18.125	8	18.5	20.125
10	3600	4	14.5	13.875	4	15	15.125	4	16	16.125	6	16.5	17.125	6	17.5	18.125	6	18.5	20.125	8	20	22.125
12	3900	4	16.5	16.125	4	17	17.125	4	18	18.125	6	18.5	19.125	6	19	20.125	6	20.5	22.125	8	22	24.125
14	4500	4	17.5	17.125	4	18.5	18.125	4	19	19.125	6	19.5	20.125	6	20.5	21.125	6	22	23.125	8	23	25.125
16	5200	4	19	19.375	4	19.5	20.375	6	20.5	21.375	6	21	22.375	6	22	23.375	8	23	25.375	8	24.5	27.375
18	5700	4	21	21.375	4	21.5	22.375	6	22.5	23.375	6	23	24.375	6	23.5	25.375	8	25	27.375	8	26.5	29.375
20	6100	4	22.5	23.375	4	23	24.375	6	23.5	25.375	6	24.5	26.375	6	25	27.375	8	26.5	29.375	8	28	31.375
24	6400	4	25.5	27.375	4	26.5	28.375	6	27	29.375	6	28	30.375	6	28.5	31.375	8	30	33.375	8	31.5	35.375
30	8400	4	31.5	33.625	6	32	34.625	6	33	35.625	6	33.5	36.625	6	34	37.625	8	35.5	39.625	8	37	41.625
36	9800	4	36	40.125	6	37	41.125	6	37.5	42.125	6	38	43.125	6	39	44.125	8	40.5	46.125	8	42	48.125
42	11100	4	41.5	46.125	6	42	47.125	6	43	48.125	6	43.5	49.125	6	44	50.125	8	45.5	52.125	8	47	54.125

Application:

Model B8100 is designed for use on:

- Hot water
- Steam
- Cold water
- Air
- Chilled water
- Gas
- Dual temperature
- Vacuum

Intended for installation on:

- Flat Surfaces

Temperature Range:

Standard: +40°F to +1200°F CalSil Insulation

Note: Up to 1800°F available upon request.

Cryogenic: -275°F to +275°F Urethane Insulation.

Add U after the model number (i.e., B8100U)

Features:

- All pipe sizes
- Easy installation
- Eliminates welding to pipe
- Overlapping galvanized sheet metal jacket
- Insulating structural inserts for load transfer
- Stainless steel to UHMW polyethylene slide
- Other I.D.'s and/or O.D.'s available on request
- Factory mounted polyethylene slide pad on steel mounting plate

Performance test results on file:

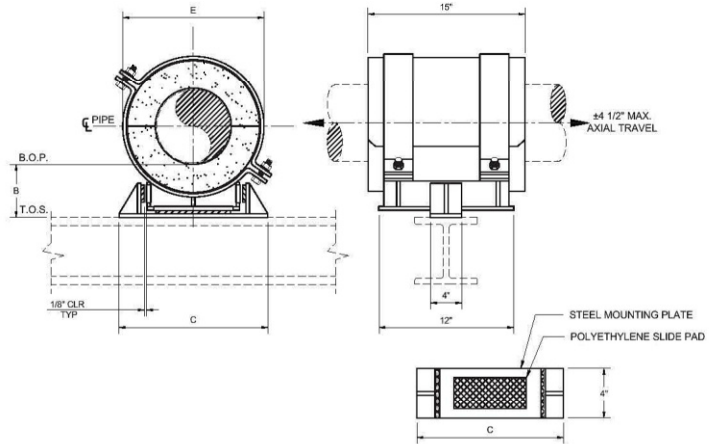
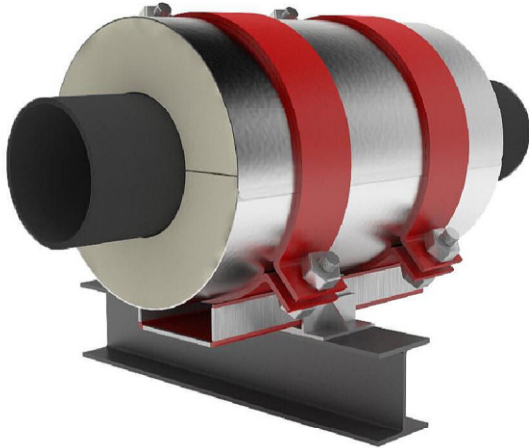
Available upon request.

Material Data:

- B8100:** Applicable PSI spec. doc.: No. 209
 - Insulation:** Calcium silicate asbestos-free, treated with water repellent
 - Jackets:** Galvanized Steel ASTM A-653
 - Glue:** Industrial contact adhesive
 - Structural Inserts:** High-density calcium silicate asbestos free, treated with water repellent
 - Steel Straps/Base:** Carbon Steel ASTM A-36
 - Fasteners:** ASTM A-307 plated
 - Slide Pad:** UHMW Polyethylene (PTFE Optional)
 - Coating:** Primer coated or hot dipped galvanized
- Other coatings available upon request

Formal submittal sheets available

Model B8200 Laterally Restrained Insulated Pipe Support Heavy Duty, Base Mounted



Contact factory for other dimensional, temperature, load, or axial travel requirements. If lateral load is greater than 50% of actual vertical load, contact factory. Available in all insulation thickness.

The load ratings represent average values obtained in accordance with accepted test methods and are subject to normal manufacturing variations. Dimensions and ratings are subject to change without notice.

Note: For higher load ratings, see: B8300 - For lateral travel, see: B6200.

Pipe Size	Vert. Load	Insul. Thk. = 1"			Insul. Thk. = 1-1/2"			Insul. Thk. = 2"			Insul. Thk. = 2-1/2"			Insul. Thk. = 3"			Insul. Thk. = 4"			Insul. Thk. = 5"		
		B	C	E	B	C	E	B	C	E	B	C	E	B	C	E	B	C	E	B	C	E
1/2	375	4	5	3.25	4	5.5	4.375	4	6	5.375	4	7.5	7	6	8	8	6	10	10	8	11.5	12.125
3/4	465	4	5	3.25	4	5.5	4.375	4	6	5.375	4	7.5	7	6	8	8	6	10	10	8	11.5	12.25
1	600	4	5.5	4	4	6	5	4	6.5	6.062	4	7.5	7.125	6	8	8.125	6	10	10.125	8	11.5	12.25
1 1/2	870	4	6	4.5	4	6.5	5.5	4	8	7.125	4	8.5	8.125	6	9.5	9.125	6	11.5	11.25	8	13	13.25
2	1005	4	7	5	4	7.5	6.1875	4	8.5	7.125	4	9	8.125	6	10	9.125	6	12	11.25	8	13.5	13.25
2 1/2	1230	4	7	5.5	4	8.5	7.125	4	9	8.125	4	10	9.125	6	11	10.125	6	12.5	12.25	8	14	14.5
3	1425	4	7.5	6.187	4	8.5	7.125	4	9	8.125	4	10	9.125	6	11	10.125	6	12.5	12.375	8	14	14.625
4	2250	4	9.5	7.25	4	10	8.25	4	11	9.25	4	12	10.25	6	13	11.375	6	14.5	13.375	8	16	15.625
5	2820	4	12.5	8.5	4	13	9.5	4	14.5	10.5	4	16	11.625	6	17	12.625	6	19	14.875	8	20.5	16.875
6	3420	4	12	9.5	4	13.5	10.5	4	15	11.625	4	16	12.625	6	17.5	13.625	6	18.5	15.875	8	20.5	17.875
8	4500	4	16	11.625	4	17	12.625	4	18.5	13.625	6	19	14.875	6	20	15.875	6	21.5	18.125	8	23	20.125
10	5400	4	19	13.875	4	19.5	15.125	4	20.5	16.125	6	21	17.125	6	22	18.125	6	23.5	20.125	8	25.5	22.125
12	5850	4	21	16.125	4	21.5	17.125	4	22.5	18.125	6	23.5	19.125	6	24	20.125	6	26	22.125	8	27.5	24.125
14	6750	4	22	17.125	4	23	18.125	4	24	19.125	6	24.5	20.125	6	25.5	21.125	6	27.5	23.125	8	28.5	25.125
16	7800	4	23.5	19.375	4	24	20.375	6	25	21.375	6	26	22.375	6	27	23.375	8	28	25.375	8	29	27.375
18	8550	4	25.5	21.375	4	26.5	22.375	6	27.5	23.375	6	28	24.375	6	28.5	25.375	8	29.5	27.375	8	31	29.375
20	9150	4	28	23.375	4	28.5	24.375	6	29	25.375	6	29.5	26.375	6	30	27.375	8	31.5	29.375	8	33	31.375
24	9600	4	31	27.375	4	32	28.375	6	32.5	29.375	6	33	30.375	6	34	31.375	8	35.5	33.375	8	37	35.375
30	12600	4	37	33.625	6	38	34.625	6	38.5	35.625	6	39.5	36.625	6	40.5	37.625	8	42	39.625	8	43.5	41.625
36	14700	4	43	40.125	6	43.5	41.125	6	44.5	42.125	6	45.5	43.125	6	46	44.125	8	47.5	46.125	8	49.5	48.125
42	16650	4	49	46.125	6	50	47.125	6	51	48.125	6	51.5	49.125	6	52.5	50.125	8	54	52.125	8	55.5	54.125

Application:

Model B8200 is designed for use on:

- Hot water
- Cold water
- Chilled water
- Dual temperature
- Steam
- Air
- Gas
- Vacuum

Intended for installation on:

- Flat Surfaces

Temperature Range:
Standard: +40°F to +1200°F CalSil Insulation
Note: Up to 1800°F available upon request.
Cryogenic: -275°F to +275°F Urethane Insulation.
 Add U after the model number (i.e., B8200U)

Features:

- All pipe sizes
- Easy installation
- Eliminates welding to pipe
- Overlapping galvanized sheet metal jacket
- Insulating structural inserts for load transfer
- Stainless steel to UHMW polyethylene slide
- Other I.D.'s and/or O.D.'s available on request
- Factory mounted polyethylene slide pad on steel mounting plate

Performance test results on file:
 Available upon request.

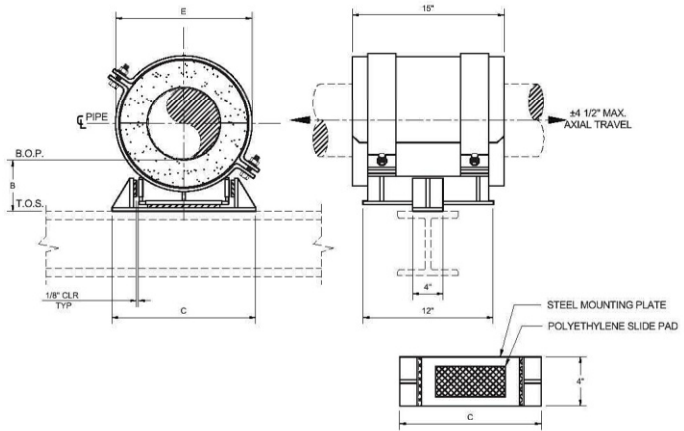
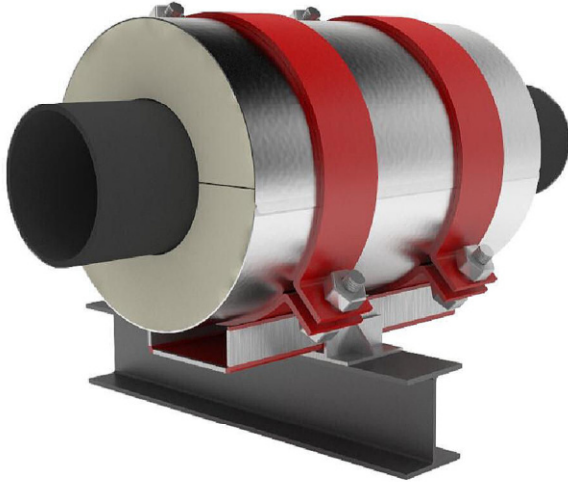
Material Data:

- **B8200:** Applicable PSI spec. doc.: No. 209
- **Insulation:** Calcium Silicate asbestos-free, treated with water repellent
- **Jackets:** Galvanized steel ASTM A-653
- **Glue:** Industrial contact adhesive
- **Structural Inserts:** High-density calcium silicate asbestos free, treated with water repellent
- **Steel Straps/Base:** Carbon steel ASTM A-36
- **Fasteners:** ASTM A-307 plated
- **Slide Pad:** UHMW Polyethylene (PTFE optional)
- **Coating:** Primer coated or hot dipped galvanized
 Other coatings available upon request

Formal Submittal Sheets available

Model B8300 Laterally Restrained Insulated Pipe Support

Heavy Duty,
Base Mounted



Contact factory for other dimensional, temperature, load, or axial travel requirements. If lateral load is greater than 50% of actual vertical load, contact factory. Available in all insulation thickness.

The load ratings represent average values obtained in accordance with accepted test methods and are subject to normal manufacturing variations. Dimensions and ratings are subject to change without notice.

Note: For higher load rating contact factory - For lateral travel, see: B6300.

Pipe Size	Vert. Load	Insul. Thk. = 1"			Insul. Thk. = 1-1/2"			Insul. Thk. = 2"			Insul. Thk. = 2-1/2"			Insul. Thk. = 3"			Insul. Thk. = 4"			Insul. Thk. = 5"		
		B	C	E	B	C	E	B	C	E	B	C	E	B	C	E	B	C	E	B	C	E
1/2	500	4	5	3.375	4	5.5	4.5	4	6	5.5	4	7.5	7.125	6	8	8.125	6	10	10.125	8	11.5	12.25
3/4	620	4	5	3.375	4	5.5	4.5	4	6	5.5	4	7.5	7.125	6	8	8.125	6	10	10.125	8	11.5	12.25
1	800	4	5.5	4	4	6	5	4	6.5	6.062	4	7.5	7.125	6	8	8.125	6	10	10.125	8	11.5	12.25
1 1/2	1160	4	6	4.5	4	6.5	5.5	4	8	7.125	4	8.5	8.125	6	9.5	9.125	6	11.5	11.25	8	13	13.25
2	1340	4	7	5	4	7.5	6.0625	4	8.5	7.125	4	9	8.125	6	10	9.125	6	12	11.25	8	13.5	13.25
2 1/2	1640	4	7	5.5	4	8.5	7.125	4	9	8.125	4	10	9.125	6	11	10.125	6	12.5	12.375	8	14	14.625
3	1900	4	8	6.187	4	9	7.125	4	9.5	8.125	4	10.5	9.125	6	11.5	10.125	6	13	12.375	8	14.5	14.625
4	3000	4	10	7.25	4	10.5	8.25	4	11.5	9.25	4	12.5	10.25	6	13.5	11.375	6	15	13.375	8	16.5	15.625
5	3760	4	13	8.5	4	13.5	9.5	4	15	10.5	4	16.5	11.625	6	17.5	12.625	6	19.5	14.875	8	21	16.875
6	4560	4	13	9.5	4	14.5	10.5	4	16	11.625	4	17	12.625	6	18.5	13.625	6	19.5	15.875	8	21.5	17.875
8	6000	4	17	11.625	4	18	12.625	4	19.5	13.625	6	20	14.875	6	21	15.875	6	22.5	18.125	8	24	20.125
10	7200	4	20	13.875	4	20.5	15.125	4	21.5	16.125	6	22	17.125	6	23	18.125	6	24.5	20.125	8	26.5	22.125
12	7800	4	21.5	16.125	4	22	17.125	4	23	18.125	6	24	19.125	6	24.5	20.125	6	26.5	22.125	8	28	24.375
14	9000	4	22.5	17.125	4	23.5	18.125	4	24.5	19.125	6	25	20.125	6	26	21.125	6	28	23.375	8	29	25.375
16	10400	4	24.5	19.375	4	25	20.375	6	26	21.375	6	27	22.375	6	28	23.375	8	29	25.375	8	30	27.375
18	11400	4	26.5	21.375	4	27.5	22.375	6	28.5	23.375	6	29	24.375	6	29.5	25.375	8	30.5	27.375	8	32	29.375
20	12200	4	29	23.375	4	29.5	24.375	6	30	25.375	6	30.5	26.375	6	31	27.375	8	32.5	29.375	8	34	31.375
24	12800	4	31.5	27.375	4	32.5	28.375	6	33	29.375	6	33.5	30.375	6	34.5	31.375	8	36	33.625	8	37.5	35.625
30	16800	4	37.5	33.625	6	38.5	34.625	6	39	35.625	6	40	37.125	6	41	38.125	8	42.5	40.125	8	44	42.125
36	19600	4	44	40.125	6	44.5	41.125	6	45.5	42.125	6	46.5	43.125	6	47	44.125	8	48.5	46.125	8	50.5	48.125
42	22200	4	50	46.125	6	51	47.125	6	52	48.125	6	52.5	49.125	6	53.5	50.125	8	55	52.125	8	56.5	54.125

Application:

Model B8300 is designed for use on:

- Hot water
- Cold water
- Chilled water
- Dual temperature
- Steam
- Air
- Gas
- Vacuum

Intended for installation on:

- Flat surfaces

Temperature Range:
Standard: +40°F to +1200°F CalSil Insulation
Note: Up to 1800°F available upon request.
Cryogenic: -275°F to +275°F Urethane Insulation.
 Add U after the model number (i.e., B8300U)

Features:

- All pipe sizes
- Easy installation
- Eliminates welding to pipe
- Overlapping galvanized sheet metal jacket
- Insulating structural inserts for load transfer
- Stainless steel to UHMW polyethylene slide
- Other I.D.'s and/or O.D.'s available on request
- Factory mounted polyethylene slide pad on steel mounting plate

Performance test results on file:
 Available upon request.

Material Data:

- B8300:** Applicable PSI spec. doc.: No. 209
- Insulation:** Calcium silicate asbestos-free, treated with water repellant
- Jackets:** Galvanized steel ASTM A-653
- Glue:** Industrial contact adhesive
- Structural Inserts:** High-density calcium silicate asbestos free, treated with water repellant
- Steel Straps/Base:** Carbon steel ASTM A-36
- Fasteners:** ASTM A-307 plated
- Slide Pad:** UHMW Polyethylene (PTFE optional)
- Coating:** Primer coated or hot dipped galvanized
 Other coatings available upon request

Formal submittal sheets available

INTRODUCTION

SECTION "C"

PIPE ANCHORS

APPLICATION – Heavy Industrial and Large HVAC Distribution Systems





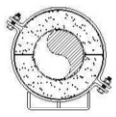

TYPES – Welded and Insulated

Note: These anchors have been designed to provide dimensional compatibility with the base mounted supports in Section "B".

Models C1000	Welded Tee Anchor for carbon steel pipe sizes 3" to 6". See Product Data Sheet for model numbers used with other pipe materials.
Models C1100	Welded Tee "No Moment" Anchor for carbon steel pipe sizes 3" to 6". No weld required to sub-structure. See Product Data Sheet for model numbers used with other pipe materials.
Models C2000	Welded Anchor similar to C1000 except for 8" pipe and larger.
Models C2100	Welded "No Moment" Anchor similar to C1100 except for 8" pipe and larger.
Models C3000 - C3300	Friction Anchors for relatively light axial forces and infrequent thermal cycling. The higher the model number in this series, the higher the load rating.
Models C4000 - C4300	Insulated Positive Anchors for heavy axial forces. The higher the model number in this series, the higher the load rating.

Please acquaint yourself with the selection guide at the front of this catalog and the section index on the page following this introduction, for assistance in determining the most appropriate support for your application.

WELDED PIPE ANCHORS

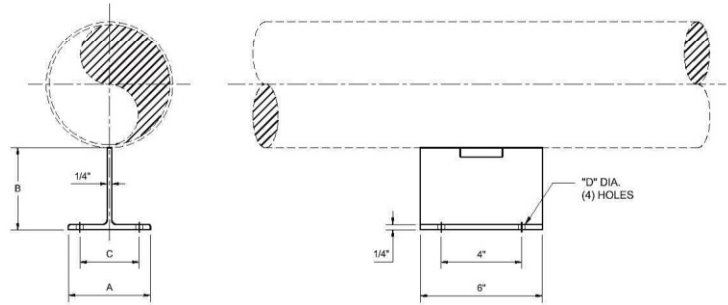
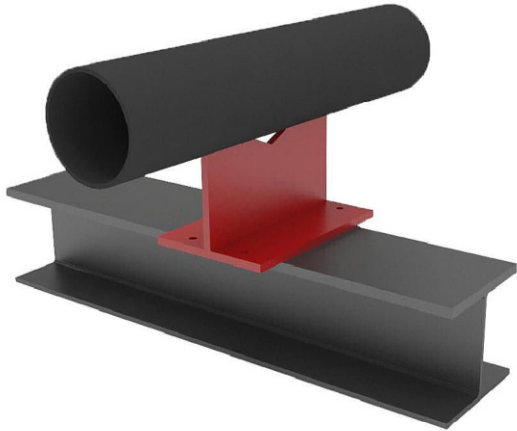
MODEL	PIPE SIZE RANGE	INSULATION	FIELD WELD TO PIPE	ROTATIONAL RESTRAINT	AXIAL LOAD CAPACITY
 C1000	3 - 6	NO	YES	YES	HEAVIEST
 C1100	3 - 6	NO	YES	NO	HEAVIEST
 C2000	8 - 30	NO	YES	YES	HEAVIEST
 C2100	8 - 30	NO	YES	NO	HEAVIEST
 C3000	1/2 - 42	YES	NO	NO	LIGHTEST
C3100	1/2 - 42	YES	NO	NO	LIGHTER
C3200	1/2 - 42	YES	NO	NO	LIGHT
C3300	1/2 - 42	YES	NO	NO	MED/LIGHT
 C4000	1 - 42	YES	YES	NO	LIGHTEST
C4100	1 - 42	YES	YES	NO	LIGHTER
C4200	1 - 42	YES	YES	NO	LIGHT
C4300	1 - 42	YES	YES	NO	MED/LIGHT

TO ORDER, specify:

- | | |
|-------------------------|--------|
| 1. Quantity | 20 |
| 2. Pipe Size & Type | 4" IPS |
| 3. Insulation Thickness | 2" |
| 4. Model Number | C1000 |

EXAMPLE: (20) 4 x 2 C1000

Model C1000, Model C1010, Model C1020, Model C1030 *Welded Tee Pipe Anchor Small Bore*



Dimensions and ratings are subject to change without notice.
Available in all insulation thickness.

Note:

- For “no moment” anchor, see: C1100
- For insulated friction anchor, see: C3000
- For large bore welded anchor, see: C2000
- For insulated positive anchor, see: C4000

Pipe Size	A	C	D	Insulation Thickness						
				1"	2"	3"	4"	5"	6"	7"
				B	B	B	B	B	B	B
3	3	1.75	0.56	4	4	6	6	8	8	10
3.5	3.5	2.25	0.56	4	4	6	6	8	8	10
4	4	2.75	0.56	4	4	6	6	8	8	10
5	5	3.5	0.69	4	4	6	6	8	8	10
6	6	4.5	0.69	4	4	6	6	8	8	10

Application:

Model C1000 and C1030 are designed for use on:
· Pipe Sizes through 6"

Model No. For use with Pipe Material

C1000	Carbon Steel
C1010	Chrome-Moly
C1020	Carbon Silicon
C1030	Stainless

Features:

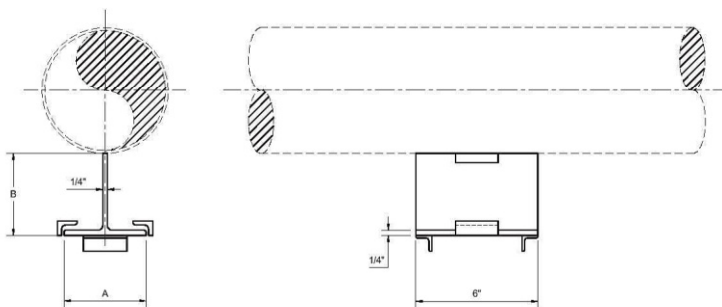
- Supplied with bolt holes for choice of bolting or welding to support structure.
- Bottom-of-pipe to top-of-steel matches base mounted insulated supports. See "B" Series.
- Broad selection of materials to match pipe material and eliminate galvanic action.

Material Data:

- **C1000:** A36 Carbon Steel.
- **C1010:** A387 Gr. 22 Chrome-Moly Steel.
- **C1020:** A515 Gr. 70 Carbon Silicon Steel.
- **C1030:** 304L Stainless Steel.
- **Primer Coating:** Primer coated or hot dipped galvanized. Other coatings available upon request.

Other materials available upon request.

Formal submittal sheets available.



Dimensions and ratings are subject to change without notice.
Available in all insulation thickness.

Note:

- For welded anchor, see: C1000
- For insulated friction anchor, see: C3000
- For large bore welded anchor, see: C2100
- For insulated positive anchor, see: C4000

Pipe Size	A	Insulation Thickness						
		1"	2"	3"	4"	5"	6"	7"
		B	B	B	B	B	B	B
3	3	4	4	6	6	8	8	10
3.5	3.5	4	4	6	6	8	8	10
4	4	4	4	6	6	8	8	10
5	5	4	4	6	6	8	8	10
6	6	4	4	6	6	8	8	10

Application:

Model C1100 and C1130 are designed for use on:
· Pipe Sizes through 6"

Model No.	For use with Pipe Material
C1100	Carbon Steel
C1110	Chrome-Moly
C1120	Carbon Silicon
C1130	Stainless

Features:

- Supplied with bolt holes for choice of bolting or welding to support structure.
- Bottom-of-pipe to top-of-steel matches base mounted insulated supports. See "B" Series.
- Broad selection of materials to match pipe material and eliminate galvanic action.

Material Data:

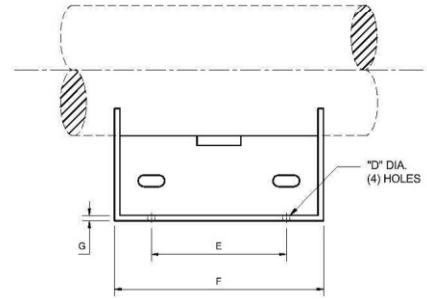
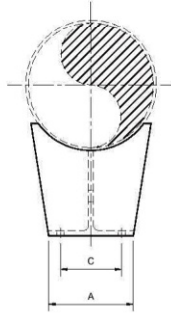
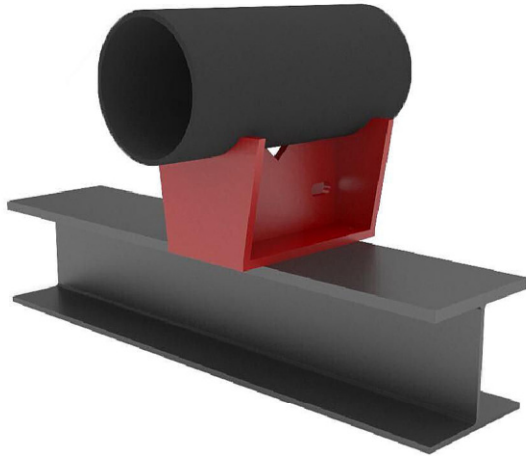
- **C1100:** A36 Carbon Steel.
- **C1110:** A387 Gr. 22 Chrome-Moly Steel.
- **C1120:** A515 Gr. 70 Carbon Silicon Steel.
- **C1130:** 304L Stainless Steel.
- **Primer Coating:** Primer coated or hot dipped galvanized. Other coatings available upon request.

Other materials available upon request.

Formal submittal sheets available

Model C2000, Model C2100,
Model C2020, Model C2030

Welded Tee Pipe Anchor Large Bore



Dimensions and ratings are subject to change without notice. Contact us for current information.
Available in all insulation thickness.

Note:

- For small bore welded tee anchor, see: C1000
- For large bore "no moment" anchor, see: C2100
- For insulated friction anchor, see: C3000
- For insulated positive anchor, see: C4000

Pipe Size	A	C	D	E	F	G	Insulation Thickness						
							1"	2"	3"	4"	5"	6"	7"
							B	B	B	B	B	B	B
8	6	4	0.69	9	12	0.38	4	4	6	6	8	8	10
10	6	4	0.69	9	12	0.38	4	4	6	6	8	8	10
12	6	4	0.81	9	12	0.38	4	4	6	6	8	8	10
14	6	4	0.81	9	12	0.38	4	4	6	6	8	8	10
16	6	4	0.81	9	12	0.38	4	6	6	8	8	10	10
18	9	6.5	0.94	15	18	0.5	4	6	6	8	8	10	10
20	9	6.5	0.94	15	18	0.5	4	6	6	8	8	10	10
24	9	6.5	0.94	15	18	0.5	4	6	6	8	8	10	10
30	12	9	1.06	15	18	0.5	4	6	6	8	8	10	10

Application:

Model C2000 and C2030 are designed for use on:
· Pipe Sizes through 8" through 30"

Model No. For use with Pipe Material

C2000	Carbon Steel
C2010	Chrome-Moly
C2020	Carbon Silicon
C2030	Stainless

Features:

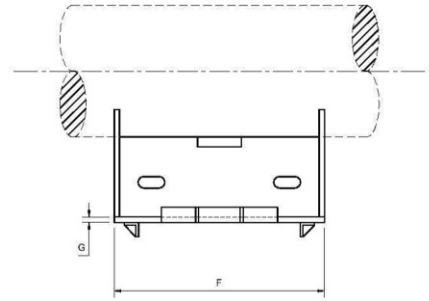
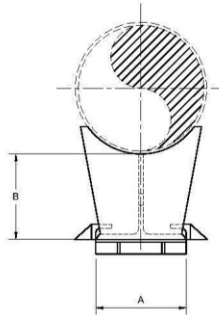
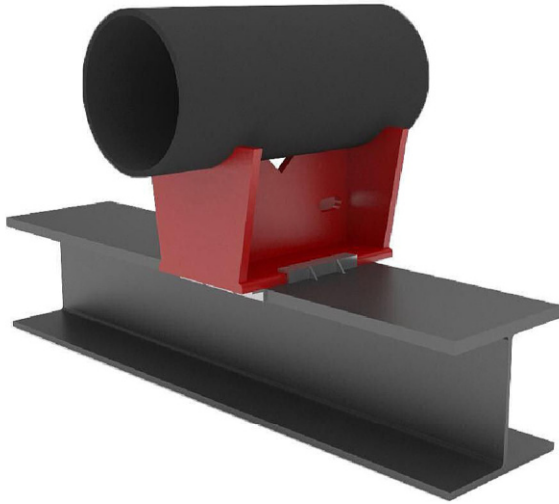
- Supplied with bolt holes for choice of bolting or welding to support structure.
- Bottom-of-pipe to top-of-steel matches base mounted insulated supports. See "B" Series.
- Broad selection of materials to match pipe material and eliminate galvanic action.
- Slots in central web for insulation banding.

Material Data:

- **C2000:** A36 Carbon Steel.
- **C2010:** A387 Gr. 23 Chrome-Moly Steel.
- **C2020:** A515 Gr. 70 Carbon Silicon Steel.
- **C2030:** 304L Stainless Steel.
- **Primer Coating:** Primer coated or hot dipped galvanized. Other coatings available upon request.

Other materials available upon request.

Formal submittal sheets available



Dimensions and ratings are subject to change without notice.
Available in all insulation thickness.

Note:

- For welded anchor, see: C2000
- For small bore welded tee "no moment" anchor, see: C1100
- For insulated friction anchor, see: C3000
- For insulated positive anchor, see: C4000

Pipe Size	A	F	G	Insulation Thickness						
				1"	2"	3"	4"	5"	6"	7"
				B	B	B	B	B	B	B
8	6	12	0.38	4	4	6	6	8	8	10
10	6	12	0.38	4	4	6	6	8	8	10
12	6	12	0.38	4	4	6	6	8	8	10
14	6	12	0.38	4	4	6	6	8	8	10
16	6	12	0.38	4	6	6	8	8	10	10
18	9	18	0.5	4	6	6	8	8	10	10
20	9	18	0.5	4	6	6	8	8	10	10
24	9	18	0.5	4	6	6	8	8	10	10
30	12	18	0.5	4	6	6	8	8	10	10

Application:

Model C2100 and C2130 are designed for use on:
· Pipe Sizes through 8" through 30"

Model No. For use with Pipe Material

C2100	Carbon Steel
C2110	Chrome-Moly
C2120	Carbon Silicon
C2130	Stainless

Features:

- Supplied with bolt holes for choice of bolting or welding to support structure.
- Bottom-of-pipe to top-of-steel matches base mounted insulated supports. See "B" Series.
- Broad selection of materials to match pipe material and eliminate galvanic action.

Material Data:

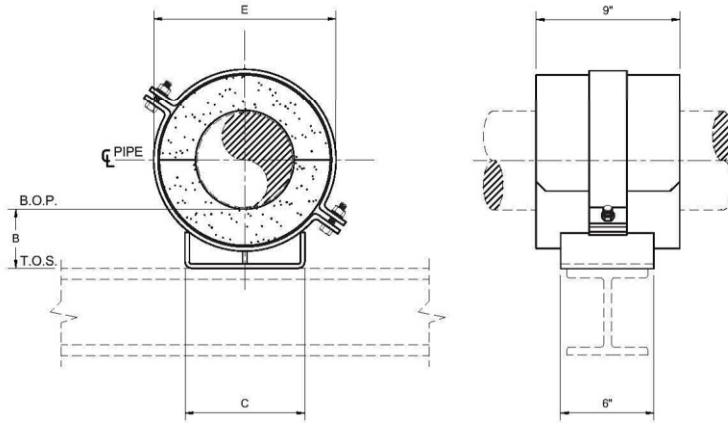
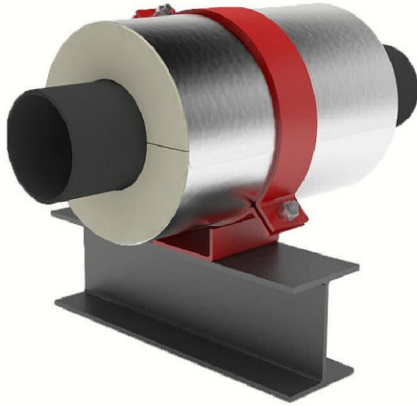
- **C2100:** A36 Carbon Steel.
- **C2110:** A387 Gr. 11 Chrome-Moly Steel.
- **C2120:** A515 Gr. 70 Carbon Silicon Steel.
- **C2130:** 304L Stainless Steel.

· **Primer Coating:** Primer coated or hot dipped galvanized. Other coatings available upon request.

Other materials available upon request.

Formal submittal sheets available

Model C3000 Insulated Friction Pipe Anchor



Contact factory for other dimensional, temperature, load, or axial travel requirements. Available in all insulation thickness.

The load ratings represent average values obtained in accordance with accepted test methods and are subject to normal manufacturing variations.

Dimensions and ratings are subject to change without notice.

Note: For higher load ratings, see: C3100, C4000.

Pipe Size	Load Rating			Insul. Thk. = 1"			Insul. Thk. = 1-1/2"			Insul. Thk. = 2"			Insul. Thk. = 2-1/2"			Insul. Thk. = 3"			Insul. Thk. = 4"			Insul. Thk. = 5"		
	Vert. Lbs	Lat. Lbs	Axial Lbs	B	C	E	B	C	E	B	C	E	B	C	E	B	C	E	B	C	E	B	C	E
1/2	140	70	28	4	1.5	3.25	4	2	4.375	4	2.5	5.375	4	4	7	6	4.5	8	6	6.5	10	8	8	12.125
3/4	175	88	35	4	1.5	3.25	4	2	4.375	4	2.5	5.375	4	4	7	6	4.5	8	6	6.5	10	8	8	12.125
1	225	113	45	4	2	3.875	4	2.5	4.875	4	3	5.937	4	4	7	6	4.5	8	6	6.5	10	8	8	12.25
1 1/2	325	163	65	4	2	4.375	4	2.5	5.5	4	4	7	4	4.5	8	6	5.5	9	6	7.5	11.25	8	9	13.25
2	375	188	75	4	2.5	5	4	3	6.0625	4	4	7	4	4.5	8	6	5.5	9.125	6	7.5	11.25	8	9	13.25
2 1/2	460	230	92	4	2.5	5.5	4	4	7.125	4	4.5	8.125	4	5.5	9.125	6	6.5	10.125	6	8	12.25	8	9.5	14.5
3	530	265	106	4	3	6.062	4	4	7.125	4	4.5	8.125	4	5.5	9.125	6	6.5	10.125	6	8	12.375	8	9.5	14.625
4	840	420	168	4	4	7.25	4	4.5	8.25	4	5.5	9.25	4	6.5	10.25	6	7.5	11.375	6	9	13.375	8	10.5	15.625
5	1050	525	210	4	4.5	8.25	4	5.5	9.25	4	6.5	10.25	4	7.5	11.375	6	8	12.375	6	9.5	14.875	8	11	16.875
6	1275	638	255	4	5.5	9.25	4	6.5	10.25	4	7.5	11.375	4	8	12.625	6	9	13.625	6	10.5	15.875	8	12	17.875
8	1700	850	340	4	7.5	11.625	4	8	12.625	4	9	13.625	6	9.5	14.875	6	10.5	15.875	6	12	17.875	8	13	20.125
10	2000	1000	400	4	9	13.625	4	9.5	14.875	4	10.5	15.875	6	11	16.875	6	12	18.125	6	13	20.125	8	14.5	22.125
12	2200	1100	440	4	10.5	16.125	4	11	17.125	4	12	18.125	6	12.5	19.125	6	13	20.125	6	14.5	22.125	8	16	24.125
14	2500	1250	500	4	11	17.125	4	12	18.125	4	12.5	19.125	6	13	20.125	6	14	21.125	6	15.5	23.125	8	16.5	25.125
16	2900	1450	580	4	12.5	19.125	4	13	20.125	6	14	21.375	6	14.5	22.375	6	15.5	23.375	8	16.5	25.375	8	18	27.375
18	3200	1600	640	4	14	21.375	4	14.5	22.375	6	15.5	23.375	6	16	24.375	6	16.5	25.375	8	18	27.375	8	19.5	29.375
20	3400	1700	680	4	15.5	23.375	4	16	24.375	6	16.5	25.375	6	17.5	26.375	6	18	27.375	8	19.5	29.375	8	21	31.375
24	3600	1800	720	4	18	27.375	4	19	28.375	6	19.5	29.375	6	20.5	30.375	6	21	31.375	8	22.5	33.375	8	24	35.375
30	4700	2350	940	4	22.5	33.625	6	23	34.625	6	24	35.625	6	24.5	36.625	6	25	37.625	8	26.5	39.625	8	28	41.625
36	5500	2750	1100	4	26.5	39.625	6	27.5	41.125	6	28	42.125	6	28.5	43.125	6	29.5	44.125	8	31	46.125	8	32.5	48.125
42	6200	3100	1240	4	31	46.125	6	31.5	47.125	6	32.5	48.125	6	33	49.125	6	33.5	50.125	8	35	52.125	8	36.5	54.125

Application:

Model C3000 is designed for use on:

- Hot water
- Cold water
- Chilled water
- Dual temperature
- Where thermal cycle are infrequent
- Where axial forces are relatively light or in balance
- Intended for installation on:
- Flat Surfaces

Steam

Air

Gas

Vacuum

Temperature Range:
Standard: +40°F to +1200°F CalSil Insulation
Note: Up to 1800°F available upon request.
Cryogenic: -275°F to +275°F Urethane Insulation.
 Add U after the model number (i.e., C3000U)

Features:

- All pipe sizes
- Easy installation
- Eliminates welding to pipe
- Overlapping galvanized sheet metal jacket
- Insulating structural inserts for load transfer
- Other I.D.'s and/or O.D.'s available on request
- Bottom-of-pipe to top-of-shield matches insulated supports in "B" series

Performance test results on file:
 Available upon request.

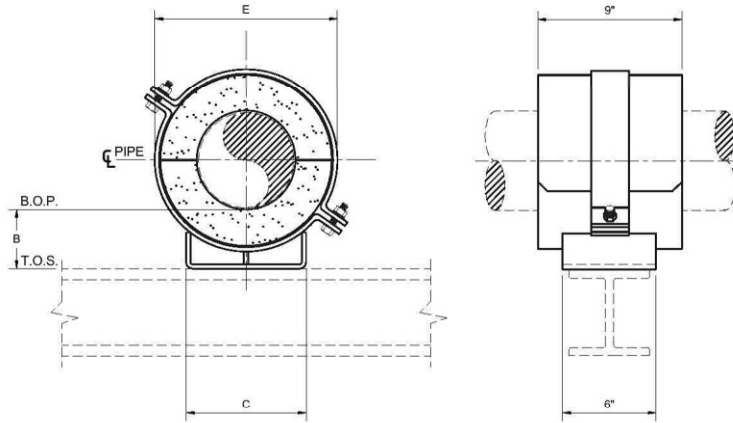
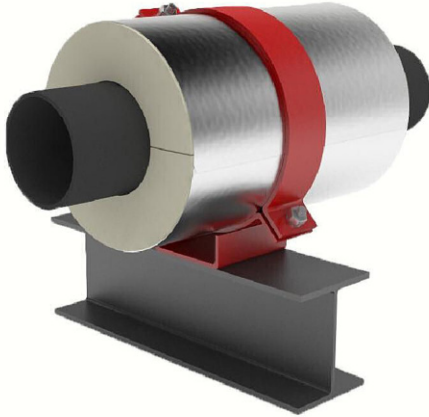
Material Data:

- C3000:** Applicable PSI spec. doc.: No. 209
- Insulation:** Calcium Silicate asbestos-free, treated with water repellent
- Jackets:** Galvanized steel ASTM A-653
- Glue:** Industrial contact adhesive
- Structural Inserts:** High-density calcium silicate asbestos-free, treated with water repellent
- Steel Straps/Base:** Carbon steel ASTM A-36
- Fasteners:** ASTM A-307 plated
- Coating:** Primer coated or hot dipped galvanized

Other coatings available upon request

Formal submittal sheets available

Model C3100 Insulated Friction Pipe Anchor



Contact factory for other dimensional, temperature, load, or axial travel requirements. Available in all insulation thickness.

The load ratings represent average values obtained in accordance with accepted test methods and are subject to normal manufacturing variations.

Dimensions and ratings are subject to change without notice.

Note: For higher load ratings, see: C3200, C4100.

Pipe Size	Load Rating			Insul. Thk. = 1"			Insul. Thk. = 1-1/2"			Insul. Thk. = 2"			Insul. Thk. = 2-1/2"			Insul. Thk. = 3"			Insul. Thk. = 4"			Insul. Thk. = 5"		
	Vert. Lbs	Lat. Lbs	Axial Lbs	B	C	E	B	C	E	B	C	E	B	C	E	B	C	E	B	C	E	B	C	E
1/2	280	140	56	4	1.5	3.25	4	2	4.375	4	2.5	5.375	4	4	7	6	4.5	8	6	6.5	10	8	8	12.125
3/4	350	175	70	4	1.5	3.25	4	2	4.375	4	2.5	5.375	4	4	7	6	4.5	8	6	6.5	10	8	8	12.25
1	450	225	90	4	2	3.875	4	2.5	5	4	3	6.062	4	4	7	6	4.5	8	6	6.5	10	8	8	12.25
1 1/2	650	325	130	4	2	4.5	4	2.5	5.5	4	4	7.125	4	4.5	8.125	6	5.5	9.125	6	7.5	11.25	8	9	13.25
2	750	375	150	4	2.5	5	4	3	6.0625	4	4	7.125	4	4.5	8.125	6	5.5	9.125	6	7.5	11.25	8	9	13.25
2 1/2	920	460	184	4	2.5	5.5	4	4	7.125	4	4.5	8.125	4	5.5	9.125	6	6.5	10.125	6	8	12.25	8	9.5	14.5
3	1060	530	212	4	3	6.187	4	4	7.125	4	4.5	8.125	4	5.5	9.125	6	6.5	10.125	6	8	12.375	8	9.5	14.625
4	1680	840	336	4	4	7.25	4	4.5	8.25	4	5.5	9.25	4	6.5	10.25	6	7.5	11.375	6	9	13.375	8	10.5	15.625
5	2100	1050	420	4	4.5	8.5	4	5.5	9.5	4	6.5	10.5	4	7.5	11.625	6	8	12.625	6	9.5	14.875	8	11	16.875
6	2550	1275	510	4	5.5	9.5	4	6.5	10.5	4	7.5	11.625	4	8	12.625	6	9	13.625	6	10.5	15.875	8	12	17.875
8	3400	1700	680	4	7.5	11.625	4	8	12.625	4	9	13.625	6	9.5	14.875	6	10.5	15.875	6	12	18.125	8	13	20.125
10	4000	2000	800	4	9	13.875	4	9.5	15.125	4	10.5	16.125	6	11	17.125	6	12	18.125	6	13	20.125	8	14.5	22.125
12	4400	2200	880	4	10.5	16.125	4	11	17.125	4	12	18.125	6	12.5	19.125	6	13	20.125	6	14.5	22.125	8	16	24.125
14	5000	2500	1000	4	11	17.125	4	12	18.125	4	12.5	19.125	6	13	20.125	6	14	21.125	6	15.5	23.125	8	16.5	25.125
16	5800	2900	1160	4	12.5	19.375	4	13	20.375	6	14	21.375	6	14.5	22.375	6	15.5	23.375	8	16.5	25.375	8	18	27.375
18	6400	3200	1280	4	14	21.375	4	14.5	22.375	6	15.5	23.375	6	16	24.375	6	16.5	25.375	8	18	27.375	8	19.5	29.375
20	6800	3400	1360	4	15.5	23.375	4	16	24.375	6	16.5	25.375	6	17.5	26.375	6	18	27.375	8	19.5	29.375	8	21	31.375
24	7200	3600	1440	4	18	27.375	4	19	28.375	6	19.5	29.375	6	20.5	30.375	6	21	31.375	8	22.5	33.375	8	24	35.375
30	9400	4700	1880	4	22.5	33.625	6	23	34.625	6	24	35.625	6	24.5	36.625	6	25	37.625	8	26.5	39.625	8	28	41.625
36	11000	5500	2200	4	26.5	40.125	6	27.5	41.125	6	28	42.125	6	28.5	43.125	6	29.5	44.125	8	31	46.125	8	32.5	48.125
42	12400	6200	2480	4	31	46.125	6	31.5	47.125	6	32.5	48.125	6	33	49.125	6	33.5	50.125	8	35	52.125	8	36.5	54.125

Application:

Model C3100 is designed for use on:

- Hot water
- Cold water
- Chilled water
- Dual temperature
- Where thermal cycle are infrequent
- Where axial forces are relatively light or in balance
- Steam
- Air
- Gas
- Vacuum

Intended for installation on:

- Flat surfaces

Temperature Range:

Standard: +40°F to +1200°F CalSil Insulation

Note: Up to 1800°F available upon request.

Cryogenic: -275°F to +275°F Urethane Insulation.

Add U after the model number (i.e., C3100U)

Features:

- All pipe sizes
- Easy installation
- Eliminates welding to pipe
- Overlapping galvanized sheet metal jacket
- Insulating structural inserts for load transfer
- Other I.D.'s and/or O.D.'s available on request
- Bottom-of-pipe to top-of-shield matches insulated supports in "B" series

Performance test results on file:

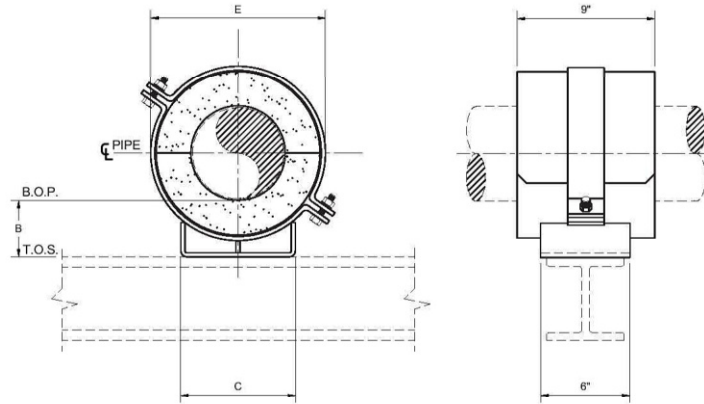
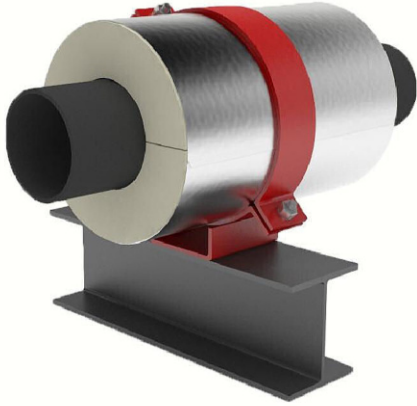
Available upon request.

Material Data:

- **C3100:** Applicable PSI spec. doc.: No. 209.
- **Insulation:** Calcium silicate asbestos-free, treated with water repellent.
- **Jackets:** Galvanized steel ASTM A-653.
- **Glue:** Industrial contact adhesive
- **Structural Inserts:** High-density calcium silicate asbestos-free, treated with water repellent.
- **Steel Straps/Base:** Carbon steel ASTM A-36.
- **Fasteners:** ASTM A-307 plated.
- **Coating:** Primer coated or hot dipped galvanized. Other coatings available upon request.

Formal submittal sheets available

Model C3200 Insulated Friction Pipe Anchor



Contact factory for other dimensional, temperature, load, or axial travel requirements. Available in all insulation thickness.

The load ratings represent average values obtained in accordance with accepted test methods and are subject to normal manufacturing variations.

Dimensions and ratings are subject to change without notice.

Note: For higher load ratings, see: C3300, C4200.

Pipe Size	Load Rating			Insul. Thk. = 1"			Insul. Thk. = 1-1/2"			Insul. Thk. = 2"			Insul. Thk. = 2-1/2"			Insul. Thk. = 3"			Insul. Thk. = 4"			Insul. Thk. = 5"		
	Vert. Lbs	Lat. Lbs	Axial Lbs	B	C	E	B	C	E	B	C	E	B	C	E	B	C	E	B	C	E	B	C	E
1/2	400	200	80	4	1.5	3.25	4	2	4.375	4	2.5	5.375	4	4	7	6	4.5	8	6	6.5	10	8	8	12.125
3/4	500	250	100	4	1.5	3.25	4	2	4.375	4	2.5	5.375	4	4	7	6	4.5	8	6	6.5	10	8	8	12.25
1	650	325	130	4	2	4	4	2.5	5	4	3	6.062	4	4	7.125	6	4.5	8.125	6	6.5	10.125	8	8	12.25
1 1/2	950	475	190	4	2	4.5	4	2.5	5.5	4	4	7.125	4	4.5	8.125	6	5.5	9.125	6	7.5	11.25	8	9	13.25
2	1100	550	220	4	2.5	5	4	3	6.1875	4	4	7.125	4	4.5	8.125	6	5.5	9.125	6	7.5	11.25	8	9	13.25
2 1/2	1350	675	270	4	2.5	5.5	4	4	7.125	4	4.5	8.125	4	5.5	9.125	6	6.5	10.125	6	8	12.25	8	9.5	14.5
3	1600	800	320	4	3	6.187	4	4	7.125	4	4.5	8.125	4	5.5	9.125	6	6.5	10.125	6	8	12.375	8	9.5	14.625
4	2500	1250	500	4	4	7.25	4	4.5	8.25	4	5.5	9.25	4	6.5	10.25	6	7.5	11.375	6	9	13.375	8	10.5	15.625
5	3100	1550	620	4	4.5	8.5	4	5.5	9.5	4	6.5	10.5	4	7.5	11.625	6	8	12.625	6	9.5	14.875	8	11	16.875
6	3800	1900	760	4	5.5	9.5	4	6.5	10.5	4	7.5	11.625	4	8	12.625	6	9	13.625	6	10.5	15.875	8	12	17.875
8	5100	2550	1020	4	7.5	11.625	4	8	12.625	4	9	13.625	6	9.5	14.875	6	10.5	15.875	6	12	18.125	8	13	20.125
10	6000	3000	1200	4	9	13.875	4	9.5	15.125	4	10.5	16.125	6	11	17.125	6	12	18.125	6	13	20.125	8	14.5	22.125
12	6600	3300	1320	4	10.5	16.125	4	11	17.125	4	12	18.125	6	12.5	19.125	6	13	20.125	6	14.5	22.125	8	16	24.125
14	7500	3750	1500	4	11	17.125	4	12	18.125	4	12.5	19.125	6	13	20.125	6	14	21.125	6	15.5	23.125	8	16.5	25.125
16	8700	4350	1740	4	12.5	19.375	4	13	20.375	6	14	21.375	6	14.5	22.375	6	15.5	23.375	6	16.5	25.375	8	18	27.375
18	9600	4800	1920	4	14	21.375	4	14.5	22.375	6	15.5	23.375	6	16	24.375	6	16.5	25.375	8	18	27.375	8	19.5	29.375
20	10200	5100	2040	4	15.5	23.375	4	16	24.375	6	16.5	25.375	6	17.5	26.375	6	18	27.375	8	19.5	29.375	8	21	31.375
24	10800	5400	2160	4	18	27.375	4	19	28.375	6	19.5	29.375	6	20.5	30.375	6	21	31.375	8	22.5	33.375	8	24	35.375
30	14100	7050	2820	4	22.5	33.625	6	23	34.625	6	24	35.625	6	24.5	36.625	6	25	37.625	8	26.5	39.625	8	28	41.625
36	16500	8250	3300	4	26.5	40.125	6	27.5	41.125	6	28	42.125	6	28.5	43.125	6	29.5	44.125	8	31	46.125	8	32.5	48.125
42	18600	9300	3720	4	31	46.125	6	31.5	47.125	6	32.5	48.125	6	33	49.125	6	33.5	50.125	8	35	52.125	8	36.5	54.125

Application:

Model C3200 is designed for use on:

- Hot water
- Cold water
- Chilled water
- Dual temperature
- Where thermal cycle are infrequent
- Where axial forces are relatively light or in balance
- Steam
- Air
- Gas
- Vacuum

Intended for installation on:

- Flat surfaces

Temperature Range:

Standard: +40°F to +1200°F CalSil Insulation

Note: Up to 1800°F available upon request.

Cryogenic: -275°F to +275°F Urethane Insulation.

Add U after the model number (i.e., C3200U)

Features:

- All pipe sizes
- Easy installation
- Eliminates welding to pipe
- Overlapping galvanized sheet metal jacket
- Insulating structural inserts for load transfer
- Other I.D.'s and/or O.D.'s available on request
- Bottom-of-pipe to top-of-shield matches insulated supports in "B" series

Performance test results on file:

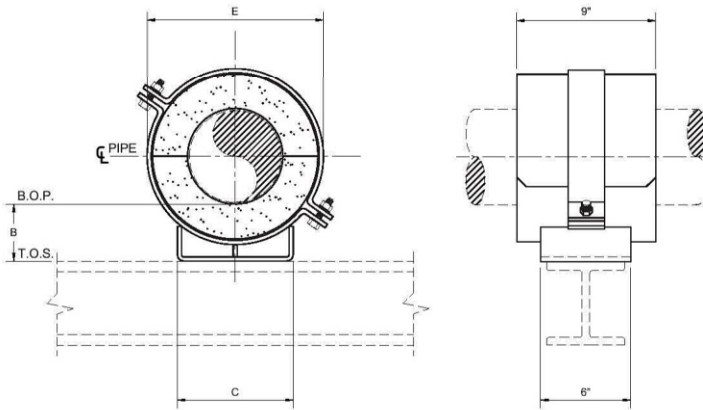
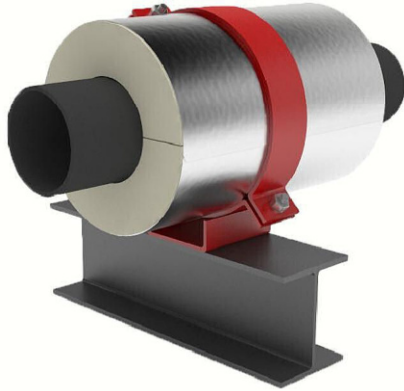
Available upon request.

Material Data:

- **C3200:** Applicable PSI spec. doc.: No. 209.
- **Insulation:** Calcium Silicate asbestos-free, treated with water repellent.
- **Jackets:** Galvanized Steel ASTM A-653.
- **Glue:** Industrial contact adhesive
- **Structural Inserts:** High-density calcium silicate asbestos-free, treated with water repellent.
- **Steel Straps/Base:** Carbon Steel ASTM A-36.
- **Fasteners:** ASTM A-307 plated.
- **Coating:** Primer coated or hot dipped galvanized. Other coatings available upon request.

Formal submittal sheets available

Model C3300 Insulated Friction Pipe Anchor



Contact factory for other dimensional, temperature, load, or axial travel requirements. Available in all insulation thickness.

The load ratings represent average values obtained in accordance with accepted test methods and are subject to normal manufacturing variations.

Dimensions and ratings are subject to change without notice.

Note: For higher load ratings, see: C4300.

Pipe Size	Load Rating			Insul. Thk. = 1"			Insul. Thk. = 1-1/2"			Insul. Thk. = 2"			Insul. Thk. = 2-1/2"			Insul. Thk. = 3"			Insul. Thk. = 4"			Insul. Thk. = 5"		
	Vert. Lbs	Lat. Lbs	Axial Lbs	B	C	E	B	C	E	B	C	E	B	C	E	B	C	E	B	C	E	B	C	E
1/2	550	275	110	4	1.5	3.375	4	2	4.5	4	2.5	5.5	4	4	7.125	6	4.5	8.125	6	6.5	10.125	8	8	12.25
3/4	700	350	140	4	1.5	3.375	4	2	4.5	4	2.5	5.5	4	4	7.125	6	4.5	8.125	6	6.5	10.125	8	8	12.25
1	900	450	180	4	2	4	4	2.5	5	4	3	6.062	4	4	7.125	6	4.5	8.125	6	6.5	10.125	8	8	12.25
1 1/2	1300	650	260	4	2	4.5	4	2.5	5.5	4	4	7.125	4	4.5	8.125	6	5.5	9.125	6	7.5	11.25	8	9	13.25
2	1500	750	300	4	2.5	5	4	3	6.0625	4	4	7.125	4	4.5	8.125	6	5.5	9.125	6	7.5	11.25	8	9	13.25
2 1/2	1800	900	360	4	2.5	5.5	4	4	7.125	4	4.5	8.125	4	5.5	9.125	6	6.5	10.125	6	8	12.375	8	9.5	14.625
3	2100	1050	420	4	3	6.187	4	4	7.125	4	4.5	8.125	4	5.5	9.125	6	6.5	10.125	6	8	12.375	8	9.5	14.625
4	3350	1675	670	4	4	7.25	4	4.5	8.25	4	5.5	9.25	4	6.5	10.25	6	7.5	11.375	6	9	13.375	8	10.5	15.625
5	4200	2100	840	4	4.5	8.5	4	5.5	9.5	4	6.5	10.5	4	7.5	11.625	6	8	12.625	6	9.5	14.875	8	11	16.875
6	5100	2550	1020	4	5.5	9.5	4	6.5	10.5	4	7.5	11.625	4	8	12.625	6	9	13.625	6	10.5	15.875	8	12	17.875
8	6800	3400	1360	4	7.5	11.625	4	8	12.625	4	9	13.625	6	9.5	14.875	6	10.5	15.875	6	12	18.125	8	13	20.125
10	8000	4000	1600	4	9	13.875	4	9.5	15.125	4	10.5	16.125	6	11	17.125	6	12	18.125	6	13	20.125	8	14.5	22.125
12	8800	4400	1760	4	10.5	16.125	4	11	17.125	4	12	18.125	6	12.5	19.125	6	13	20.125	6	14.5	22.125	8	16	24.125
14	10000	5000	2000	4	11	17.125	4	12	18.125	4	12.5	19.125	6	13	20.125	6	14	21.125	6	15.5	23.125	8	16.5	25.125
16	11600	5800	2320	4	12.5	19.375	4	13	20.375	6	14	21.375	6	14.5	22.375	6	15.5	23.375	8	16.5	25.375	8	18	27.375
18	12800	6400	2560	4	14	21.375	4	14.5	22.375	6	15.5	23.375	6	16	24.375	6	16.5	25.375	8	18	27.375	8	19.5	29.375
20	13600	6800	2720	4	15.5	23.375	4	16	24.375	6	16.5	25.375	6	17.5	26.375	6	18	27.375	8	19.5	29.375	8	21	31.375
24	14400	7200	2880	4	18	27.375	4	19	28.375	6	19.5	29.375	6	20.5	30.375	6	21	31.375	8	22.5	33.375	8	24	35.375
30	18800	9400	3760	4	22.5	33.625	6	23	34.625	6	24	35.625	6	24.5	36.625	6	25	37.625	8	26.5	39.625	8	28	41.625
36	22000	11000	4400	4	26.5	40.125	6	27.5	41.125	6	28	42.125	6	28.5	43.125	6	29.5	44.125	8	31	46.125	8	32.5	48.125
42	24800	12400	4960	4	31	46.125	6	31.5	47.125	6	32.5	48.125	6	33	49.125	6	33.5	50.125	8	35	52.125	8	36.5	54.125

Application:

Model C3300 is designed for use on:

- Hot water
- Cold water
- Chilled water
- Dual temperature
- Where thermal cycle are infrequent
- Where axial forces are relatively light or in balance
- Steam
- Air
- Gas
- Vacuum

Intended for installation on:

- Flat Surfaces

Temperature Range:

Standard: +40°F to +1200°F CalSil Insulation

Note: Up to 1800°F available upon request.

Cryogenic: -275°F to +275°F Urethane Insulation.

Add U after the model number (i.e., C3300U)

Features:

- All pipe sizes
- Easy installation
- Eliminates welding to pipe
- Overlapping galvanized sheet metal jacket
- Insulating structural inserts for load transfer
- Other I.D.'s and/or O.D.'s available on request
- Bottom-of-pipe to top-of-shield matches insulated supports in "B" series

Performance test results on file:

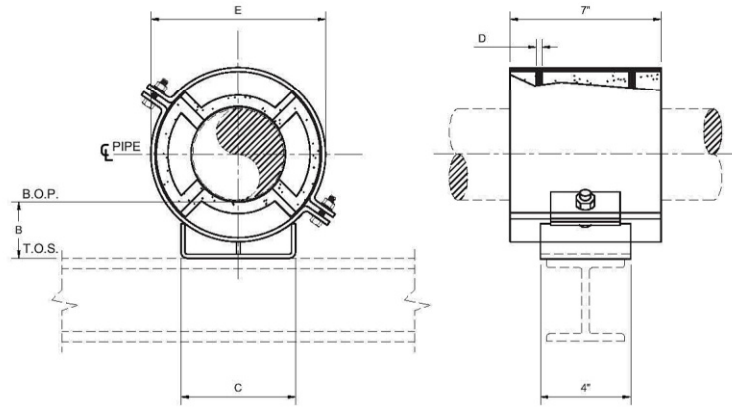
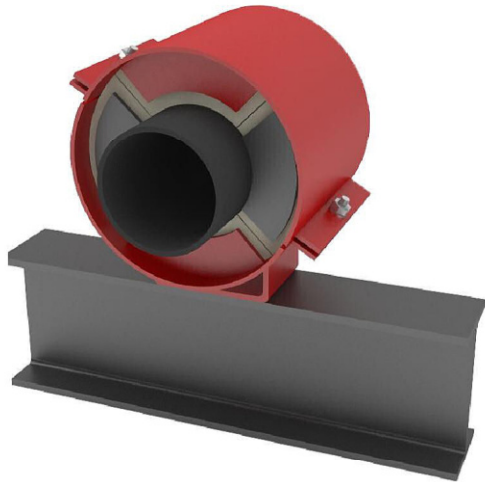
Available upon request.

Material Data:

- **C3300:** Applicable PSI spec. doc.: No. 209.
- **Insulation:** Calcium silicate asbestos-free, treated with water repellent.
- **Jackets:** Galvanized steel ASTM A-653.
- **Glue:** Industrial contact adhesive
- **Structural Inserts:** High-density calcium silicate asbestos-free, treated with water repellent.
- **Steel Straps/Base:** Carbon Steel ASTM A-36.
- **Fasteners:** ASTM A-307 plated.
- **Coating:** Primer coated or hot dipped galvanized. Other coatings available upon request.

Formal submittal sheets available

Model C4000, Model C4010, Model C4020, Model C4030 *Insulated Positive Pipe Anchor*



Contact factory for other dimensional, temperature, load, or axial travel requirements. Available in all insulation thickness.

The load ratings represent average values obtained in accordance with accepted test methods and are subject to normal manufacturing variations.

Dimensions and ratings are subject to change without notice.

Note: For higher load ratings, see: C4100.

If thrust plate thickness "D" is greater than pipe wall thickness, consult factory.

Pipe Size	Load Rating			Insul. Thk. = 1"				Insul. Thk. = 1-1/2"				Insul. Thk. = 2"				Insul. Thk. = 2-1/2"				Insul. Thk. = 3"				Insul. Thk. = 4"							
	Vert. Lbs	Lat. Lbs	Axial Lbs	B	C	D	E	B	C	D	E	B	C	D	E	B	C	D	E	B	C	D	E	B	C	D	E				
1	200	100	410	4	2	0.1875	4.125	4	2.5	0.1875	5.125	4	3	0.25	6.187	4	4	0.25	7.25	6	4.5	0.25	8.25	6	6.5	0.25	10.25	6	6.5	0.25	10.25
1 1/2	290	145	590	4	2	0.1875	4.625	4	2.5	0.1875	5.625	4	4	0.25	7.25	4	4.5	0.25	8.25	6	5.5	0.25	9.25	6	7.5	0.25	11.375	6	7.5	0.25	11.375
2	360	180	730	4	2.5	0.1875	5.125	4	3	0.1875	6.1875	4	4	0.25	7.25	4	4.5	0.25	8.25	6	5.5	0.25	9.25	6	7.5	0.3125	11.375	6	7.5	0.3125	11.375
2 1/2	440	220	890	4	2.5	0.1875	5.625	4	4	0.1875	7.25	4	4.5	0.25	8.25	4	5.5	0.25	9.25	6	6.5	0.25	10.25	6	8	0.3125	12.375	6	8	0.3125	12.375
3	530	265	1400	4	3	0.1875	6.187	4	4	0.25	7.25	4	4.5	0.25	8.25	4	5.5	0.3125	9.25	6	6.5	0.3125	10.25	6	8	0.375	12.375	6	8	0.375	12.375
4	840	420	1730	4	4	0.1875	7.25	4	4.5	0.25	8.25	4	5.5	0.25	9.25	4	6.5	0.3125	10.25	6	7.5	0.3125	11.375	6	9	0.375	13.375	6	9	0.375	13.375
5	1050	525	2060	4	4.5	0.1875	8.25	4	5.5	0.25	9.25	4	6.5	0.25	10.25	4	7.5	0.3125	11.375	6	8	0.3125	12.375	6	9.5	0.375	14.625	6	9.5	0.375	14.625
6	1275	638	2400	4	5.5	0.1875	9.25	4	6.5	0.25	10.25	4	7.5	0.25	11.375	4	8	0.3125	12.375	6	9	0.3125	13.375	6	10.5	0.375	15.625	6	10.5	0.375	15.625
8	1700	850	3020	4	7.5	0.1875	11.375	4	8	0.25	12.375	4	9	0.25	13.375	6	9.5	0.3125	14.625	6	10.5	0.3125	15.625	6	12	0.375	17.625	6	12	0.375	17.625
10	2000	1000	3700	4	9	0.1875	13.625	4	9.5	0.25	14.875	4	10.5	0.25	15.875	6	11	0.3125	16.875	6	12	0.3125	17.875	6	13	0.375	19.875	6	13	0.375	19.875
12	2200	1100	4320	4	10.5	0.1875	15.625	4	11	0.25	16.875	4	12	0.25	17.875	6	12.5	0.3125	18.875	6	13	0.3125	19.875	6	14.5	0.375	21.875	6	14.5	0.375	21.875
14	2500	1250	4700	4	11	0.1875	16.625	4	12	0.25	17.875	4	12.5	0.25	18.875	6	13	0.3125	19.875	6	14	0.3125	20.875	6	15.5	0.375	22.875	6	15.5	0.375	22.875
16	2900	1450	5340	4	12.5	0.1875	18.625	4	13	0.25	19.875	6	14	0.25	20.875	6	14.5	0.3125	21.875	6	15.5	0.3125	22.875	6	16.5	0.375	24.875	6	16.5	0.375	24.875
18	3200	1600	5970	4	14	0.1875	20.625	4	14.5	0.25	21.875	6	15.5	0.25	22.875	6	16	0.3125	23.875	6	16.5	0.3125	24.875	6	18	0.375	26.875	6	18	0.375	26.875
20	3400	1700	6600	4	15.5	0.1875	22.625	4	16	0.25	23.875	6	16.5	0.25	24.875	6	17.5	0.3125	25.875	6	18	0.3125	26.875	6	19.5	0.375	28.875	6	19.5	0.375	28.875
24	3600	1800	7850	4	18	0.1875	26.625	4	19	0.25	27.875	6	19.5	0.25	28.875	6	20.5	0.3125	29.875	6	21	0.3125	30.875	6	22.5	0.375	32.875	6	22.5	0.375	32.875
30	4700	2350	9740	4	22.5	0.1875	33.125	6	23	0.25	34.125	6	24	0.25	35.125	6	24.5	0.3125	36.125	6	25	0.3125	37.125	6	26.5	0.375	39.125	6	26.5	0.375	39.125
36	5500	2750	11600	4	26.5	0.1875	39.125	6	27.5	0.25	40.125	6	28	0.25	41.125	6	28.5	0.3125	42.125	6	29.5	0.3125	43.125	6	31	0.375	45.125	6	31	0.375	45.125
42	6200	3100	13500	4	31	0.1875	45.125	6	31.5	0.25	46.125	6	32.5	0.25	47.125	6	33	0.3125	48.125	6	33.5	0.3125	49.125	6	35	0.375	51.125	6	35	0.375	51.125

Application:

Model C4000 through C4030 are designed for use on:

- Hot water
- Cold water
- Chilled water
- Dual temperature
- Where large axial forces must be resisted
- Steam
- Air
- Gas
- Vacuum

Intended for installation on:

- Flat Surfaces

Temperature Range:

Standard: +40°F to +1200°F CalSil Insulation

Note: Up to 1800°F available upon request.

Cryogenic: -275°F to +275°F Urethane Insulation.

Add U after the model number (i.e., C4000U)

Features:

- All pipe sizes
- Easy installation
- Overlapping galvanized sheet metal jacket
- Insulating structural inserts for load transfer
- Other I.D.'s and/or O.D.'s available on request
- Bottom-of-pipe to top-of-shield matches insulated supports in "B" series

Performance test results on file:

Available upon request.

Material Data:

- C4000 - C4030: specification document: No. 209.

- Steel Inner Thrust Plates (supplied loose):

Model	ASTM	For Pipe Material
C4000	A36	Carbon Steel
C4010	A387GR.22	Chrome-Moly
C4020	A515GR.70	Carbon Silicon
C4030	A304L	Stainless Steel

- Structural Inserts: High-density calcium silicate. Asbestos-free, treated with water repellent.

- Jackets: Galvanized Steel ASTM A-653.

- Steel Straps & Base: Carbon Steel ASTM A-36

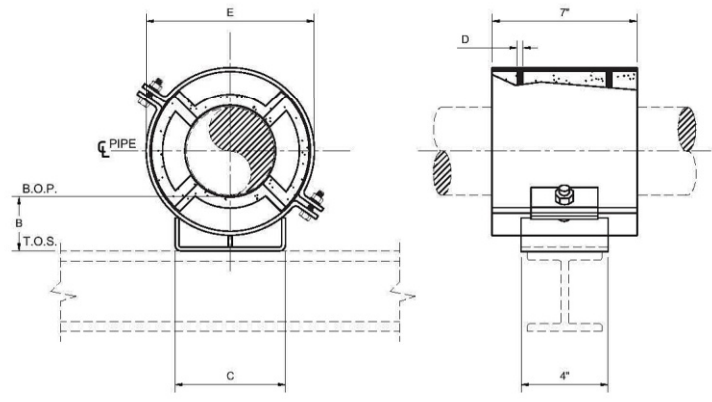
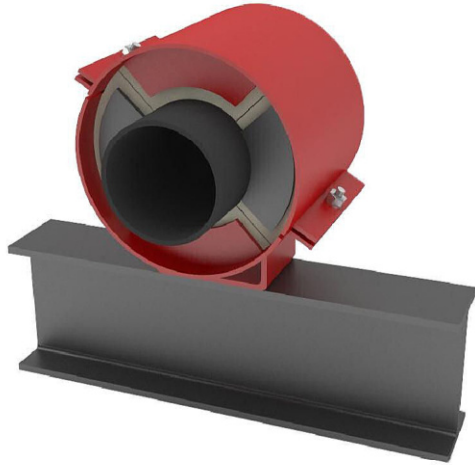
- Glue: Industrial contact adhesive.

- Coating: Primer coated or hot dipped galvanized. Other coatings available upon request.

Fasteners: ASTM A-307 plated.

Formal submittal sheets available

Model C4100, Model C4110, Model C4120, Model C4130 *Insulated Positive Pipe Anchor*



Contact factory for other dimensional, temperature, load, or axial travel requirements. Available in all insulation thickness.

The load ratings represent average values obtained in accordance with accepted test methods and are subject to normal manufacturing variations.

Dimensions and ratings are subject to change without notice.

Note: For higher load ratings, see: C4200.

If thrust plate thickness "D" is greater than pipe wall thickness, consult factory.

Pipe Size	Load Rating			Insul. Thk. = 1-1/2"				Insul. Thk. = 2"				Insul. Thk. = 2-1/2"				Insul. Thk. = 3"				Insul. Thk. = 4"			
	Vert. Lbs	Lat. Lbs	Axial Lbs	B	C	D	E	B	C	D	E	B	C	D	E	B	C	D	E	B	C	D	E
1	400	200	640	4	2.5	0.25	5.375	4	3	0.25	6.437	4	4	0.25	7.5	6	4.5	0.25	8.5	6	6.5	0.3125	10.5
1 1/2	580	290	930	4	2.5	0.25	5.875	4	4	0.25	7.5	4	4.5	0.3125	8.5	6	5.5	0.3125	9.5	6	7.5	0.3125	11.625
2	720	360	1160	4	3	0.25	6.4375	4	4	0.25	7.5	4	4.5	0.3125	8.5	6	5.5	0.3125	9.5	6	7.5	0.3125	11.625
2 1/2	870	435	1410	4	4	0.25	7.5	4	4.5	0.25	8.5	4	5.5	0.3125	9.5	6	6.5	0.3125	10.5	6	8	0.375	12.625
3	1060	530	2400	4	4	0.3125	7.5	4	4.5	0.3125	8.5	4	5.5	0.375	9.5	6	6.5	0.375	10.5	6	8	0.5	12.625
4	1680	840	2900	4	4.5	0.3125	8.5	4	5.5	0.3125	9.5	4	6.5	0.375	10.5	6	7.5	0.375	11.625	6	9	0.5	13.625
5	2100	1050	3400	4	5.5	0.3125	9.5	4	6.5	0.3125	10.5	4	7.5	0.375	11.625	6	8	0.375	12.625	6	9.5	0.5	14.875
6	2550	1275	3900	4	6.5	0.3125	10.5	4	7.5	0.3125	11.625	4	8	0.375	12.625	6	9	0.375	13.625	6	10.5	0.5	15.875
8	3400	1700	4850	4	8	0.3125	12.625	4	9	0.3125	13.625	6	9.5	0.375	14.875	6	10.5	0.375	15.875	6	12	0.5	17.875
10	4000	2000	5850	4	9.5	0.3125	15.125	4	10.5	0.3125	16.125	6	11	0.375	17.125	6	12	0.375	18.125	6	13	0.5	20.125
12	4400	2200	6800	4	11	0.3125	17.125	4	12	0.3125	18.125	6	12.5	0.375	19.125	6	13	0.375	20.125	6	14.5	0.5	22.125
14	5000	2500	7350	4	12	0.3125	18.125	4	12.5	0.3125	19.125	6	13	0.375	20.125	6	14	0.375	21.125	6	15.5	0.5	23.125
16	5800	2900	8320	4	13	0.3125	20.125	6	14	0.3125	21.125	6	14.5	0.375	22.125	6	15.5	0.375	23.125	8	16.5	0.5	25.125
18	6400	3200	9240	4	14.5	0.3125	22.125	6	15.5	0.3125	23.125	6	16	0.375	24.125	6	16.5	0.375	25.125	8	18	0.5	27.125
20	6800	3400	10200	4	16	0.3125	24.125	6	16.5	0.3125	25.125	6	17.5	0.375	26.125	6	18	0.375	27.125	8	19.5	0.5	29.125
24	7200	3600	12000	4	19	0.3125	28.125	6	19.5	0.3125	29.125	6	20.5	0.375	30.125	6	21	0.375	31.125	8	22.5	0.5	33.125
30	9400	4700	14900	6	23	0.3125	34.375	6	24	0.3125	35.375	6	24.5	0.375	36.375	6	25	0.375	37.375	8	26.5	0.5	39.375
36	11000	5500	17750	6	27.5	0.3125	40.375	6	28	0.3125	41.375	6	28.5	0.375	42.375	6	29.5	0.375	43.375	8	31	0.5	45.375
42	12400	6200	20500	6	31.5	0.3125	46.375	6	32.5	0.3125	47.375	6	33	0.375	48.375	6	33.5	0.375	49.375	8	35	0.5	51.375

Application:

Model C4100 through C4130 are designed for use on:

- Hot water
- Cold water
- Chilled water
- Dual temperature
- Where large axial forces must be resisted
- Steam
- Air
- Gas
- Vacuum

Intended for installation on:

- Flat Surfaces

Temperature Range:

Standard: +40°F to +1200°F CalSil Insulation

Note: Up to 1800°F available upon request.

Cryogenic: -275°F to +275°F Urethane Insulation.

Add U after the model number (i.e., C4100U)

Features:

- All pipe sizes
- Easy installation
- Overlapping galvanized sheet metal jacket
- Insulating structural inserts for load transfer
- Other I.D.'s and/or O.D.'s available on request
- Bottom-of-pipe to top-of-shield matches insulated supports in "B" series

Performance test results on file:

Available upon request.

Material Data:

- C4100 - C4130: specification document: No. 209.

· **Steel Inner Thrust Plates** (supplied loose):

Model	ASTM	For Pipe Material
C4100	A36	Carbon Steel
C4110	A387GR.22	Chrome-Moly
C4120	A515GR.70	Carbon Silicon
C4130	A304L	Stainless Steel

· **Structural Inserts:** High-density calcium silicate. Asbestos-free, treated with water repellent.

· **Jackets:** Galvanized Steel ASTM A-653.

· **Steel Straps & Base:** Carbon Steel ASTM A-36

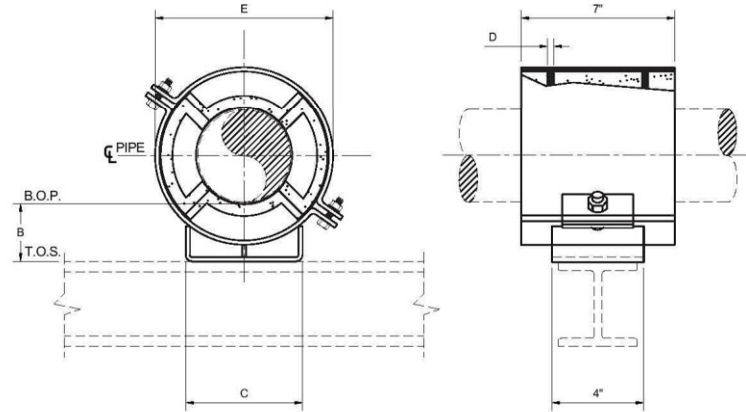
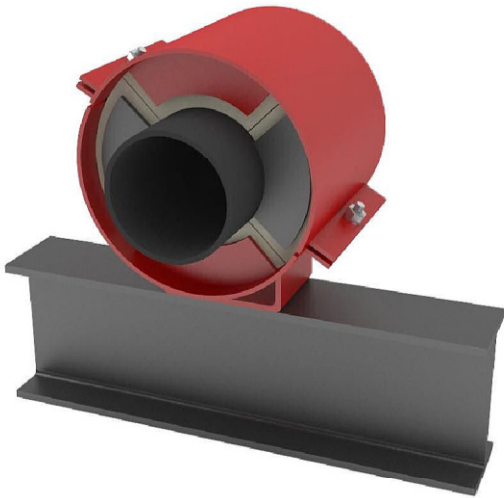
· **Glue:** Industrial contact adhesive.

· **Coating:** Primer coated or hot dipped galvanized. Other coatings available upon request.

Fasteners: ASTM A-307 plated.

Formal submittal sheets available

Model C4200, Model C4210, Model C4220, Model C4230 *Insulated Positive Pipe Anchor*



Contact factory for other dimensional, temperature, load, or axial travel requirements. Available in all insulation thickness.

The load ratings represent average values obtained in accordance with accepted test methods and are subject to normal manufacturing variations.

Dimensions and ratings are subject to change without notice.

Note: For higher load ratings, see: C4300.

If thrust plate thickness "D" is greater than pipe wall thickness, consult factory.

Pipe Size	Load Rating			Insul. Thk. = 2"				Insul. Thk. = 2-1/2"				Insul. Thk. = 3"				Insul. Thk. = 4"			
	Vert. Lbs	Lat. Lbs	Axial Lbs	B	C	D	E	B	C	D	E	B	C	D	E	B	C	D	E
1	600	300	900	4	3	0.3125	6.687	4	4	0.3125	7.75	6	4.5	0.3125	8.75	6	6.5	0.3125	10.75
1 1/2	870	435	1290	4	4	0.3125	7.75	4	4.5	0.3125	8.75	6	5.5	0.375	9.75	6	7.5	0.375	11.875
2	1090	545	1620	4	4	0.3125	7.75	4	4.5	0.3125	8.75	6	5.5	0.375	9.75	6	7.5	0.375	11.875
2 1/2	1310	655	1960	4	4.5	0.3125	8.75	4	5.5	0.375	9.75	6	6.5	0.375	10.75	6	8	0.375	12.875
3	1600	800	2400	4	4.5	0.375	8.75	4	5.5	0.5	9.75	6	6.5	0.5	10.75	6	8	0.5	12.875
4	2500	1250	4100	4	5.5	0.375	9.75	4	6.5	0.5	10.75	6	7.5	0.5	11.875	6	9	0.5	13.875
5	3100	1550	4750	4	6.5	0.375	10.75	4	7.5	0.5	11.875	6	8	0.5	12.875	6	9.5	0.5	15.125
6	3800	1900	5400	4	7.5	0.375	11.875	4	8	0.5	12.875	6	9	0.5	13.875	6	10.5	0.5	16.125
8	5100	2550	6675	4	9	0.375	13.875	6	9.5	0.5	15.125	6	10.5	0.5	16.125	6	12	0.5	18.125
10	6000	3000	8000	4	10.5	0.375	16.375	6	11	0.5	17.375	6	12	0.5	18.375	6	13	0.5	20.375
12	6600	3300	9300	4	12	0.375	18.375	6	12.5	0.5	19.375	6	13	0.5	20.375	6	14.5	0.5	22.375
14	7500	3750	10000	4	12.5	0.375	19.375	6	13	0.5	20.375	6	14	0.5	21.375	6	15.5	0.5	23.375
16	8700	4350	11300	6	14	0.375	21.375	6	14.5	0.5	22.375	6	15.5	0.5	23.375	8	16.5	0.5	25.375
18	9600	4800	12500	6	15.5	0.375	23.375	6	16	0.5	24.375	6	16.5	0.5	25.375	8	18	0.5	27.375
20	10200	5100	13800	6	16.5	0.375	25.375	6	17.5	0.5	26.375	6	18	0.5	27.375	8	19.5	0.5	29.375
24	10800	5400	16300	6	19.5	0.375	29.375	6	20.5	0.5	30.375	6	21	0.5	31.375	8	22.5	0.5	33.375
30	14100	7050	20100	6	24	0.375	35.625	6	24.5	0.5	36.625	6	25	0.5	37.625	8	26.5	0.5	39.625
36	16500	8250	23900	6	28	0.375	41.625	6	28.5	0.5	42.625	6	29.5	0.5	43.625	8	31	0.5	45.625
42	16500	8250	23900	6	32.5	0.375	47.625	6	33	0.5	48.625	6	33.5	0.5	49.625	8	35	0.5	51.625

Application:

Model C4200 through C4230 are designed for use on:

- Hot water
- Cold water
- Chilled water
- Dual temperature
- Where large axial forces must be resisted
- Steam
- Air
- Gas
- Vacuum

Intended for installation on:

- Flat surfaces

Temperature Range:

Standard: +40°F to +1200°F CalSil Insulation

Note: Up to 1800°F available upon request.

Cryogenic: -275°F to +275°F Urethane Insulation.

Add U after the model number (i.e., C4200U)

Features:

- All pipe sizes
- Easy installation
- Overlapping galvanized sheet metal jacket
- Positive stop - axial, lateral, vertical
- Other I.D.'s and/or O.D.'s available on request
- Bottom-of-pipe to top-of-shield matches insulated supports in "B" series

Performance test results on file:

Available upon request.

Material Data:

- C4200 - C4230: specification document: No. 209.

- **Steel Inner Thrust Plates** (supplied loose):

Model	ASTM	For Pipe Material
C4200	A36	Carbon Steel
C4210	A387GR.22	Chrome-Moly
C4220	A515GR.70	Carbon Silicon
C4230	A304L	Stainless Steel

- **Structural Inserts:** High-density calcium silicate. Asbestos-free, treated with water repellent.

- **Jackets:** Galvanized steel ASTM A-653.

- **Steel Straps & Base:** Carbon steel ASTM A-36

- **Glue:** Industrial contact adhesive.

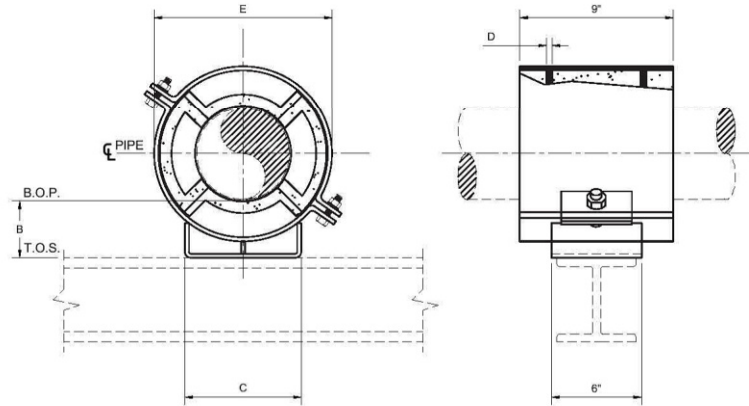
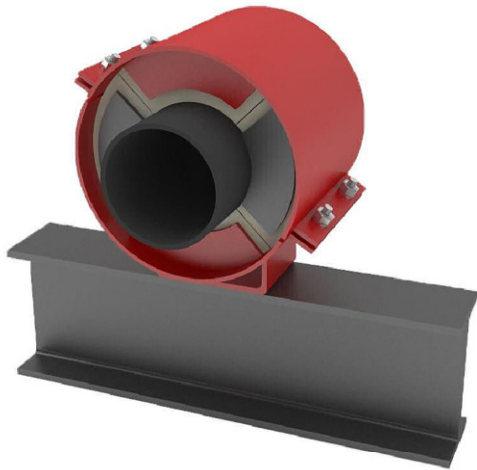
- **Coating:** Primer coated or hot dipped galvanized. Other coatings available upon request.

Fasteners: ASTM A-307 plated.

Formal submittal sheets available

Model C4300, Model C4310,
Model C4320, Model C4330

Insulated Positive Pipe Anchor



Contact factory for other dimensional, temperature, load, or axial travel requirements. Available in all insulation thickness.

The load ratings represent average values obtained in accordance with accepted test methods and are subject to normal manufacturing variations.

Dimensions and ratings are subject to change without notice.

Note: For higher load rating contact factory - If thrust plate thickness "D" is greater than pipe wall thickness, consult factory.

Pipe Size	Load Rating			Insul. Thk. = 2-1/2"				Insul. Thk. = 3"				Insul. Thk. = 4"			
	Vert. Lbs	Lat. Lbs	Axial Lbs	B	C	D	E	B	C	D	E	B	C	D	E
1	910	455	1360	4	4	0.375	8	6	4.5	0.5	9	6	6.5	0.5	11
1 1/2	1310	655	1970	4	4.5	0.5	9	6	5.5	0.5	10	6	7.5	0.5	12.125
2	1640	820	2460	4	4.5	0.5	9	6	5.5	0.5	10	6	7.5	0.5	12.125
2 1/2	1980	990	2980	4	5.5	0.5	10	6	6.5	0.5	11	6	8	0.625	13.125
3	2420	1210	3620	4	5.5	0.5	10	6	6.5	0.5	11	6	8	0.625	13.125
4	3110	1555	4660	4	6.5	0.5	11	6	7.5	0.5	12.125	6	9	0.625	14.125
5	3840	1920	5760	4	7.5	0.5	12.125	6	8	0.5	13.125	6	9.5	0.625	15.375
6	4570	2285	6860	4	8	0.5	13.125	6	9	0.625	14.125	6	10.5	0.625	16.375
8	5950	2975	8930	6	9.5	0.5	15.375	6	10.5	0.625	16.375	6	12	0.625	18.375
10	7420	3710	11130	6	11	0.5	17.375	6	12	0.625	18.375	6	13	0.625	20.375
12	8800	4400	13200	6	12.5	0.5	19.625	6	13	0.625	20.625	6	14.5	0.625	22.625
14	10000	5000	15000	6	13	0.5	20.625	6	14	0.625	21.625	6	15.5	0.625	23.625
16	11600	5800	17400	6	14.5	0.5	22.625	6	15.5	0.625	23.625	8	16.5	0.625	25.625
18	12800	6400	19200	6	16	0.5	24.625	6	16.5	0.625	25.625	8	18	0.625	27.625
20	13600	6800	20400	6	17.5	0.5	26.625	6	18	0.625	27.625	8	19.5	0.625	29.625
24	14400	7200	21600	6	20.5	0.5	30.625	6	21	0.625	31.625	8	22.5	0.625	33.625
30	18800	9400	28200	6	24.5	0.5	37.125	6	25	0.625	38.125	8	26.5	0.625	40.125
36	22000	11000	33000	6	28.5	0.5	43.125	6	29.5	0.625	44.125	8	31	0.625	46.125
42	24800	12400	37200	6	33	0.5	49.125	6	33.5	0.625	50.125	8	35	0.625	52.125

Application:

Model C4300 through C4330 are designed for use on:

- Hot Water
- Cold Water
- Chilled Water
- Dual Temperature
- Where large axial forces must be resisted
- Steam
- Air
- Gas
- Vacuum

Intended for installation on:

- Flat surfaces

Temperature Range:

Standard: +40°F to +1200°F CalSil Insulation

Note: Up to 1800°F available upon request.

Cryogenic: -275°F to +275°F Urethane Insulation.

Add U after the model number (i.e., C4300U)

Features:

- All pipe sizes
- Easy Installation
- Overlapping galvanized sheet metal jacket
- Positive stop - axial, lateral, vertical
- Other I.D.'s and/or O.D.'s available on request
- Bottom-of-pipe to top-of-shield matches insulated supports in "B" series

Performance test results on file:
Available upon request.

Material Data:

- C4300 - C4330: specification document: No. 209.

- **Steel Inner Thrust Plates** (supplied loose):

Model	ASTM	For Pipe Material
C4300	A36	Carbon Steel
C4310	A387GR.11	Chrome-Moly
C4320	A515GR.70	Carbon Silicon
C4330	A304L	Stainless Steel

- **Structural Inserts:** High-density calcium silicate. Asbestos-free, treated with water repellent.

- **Jackets:** Galvanized Steel ASTM A-653.

- **Steel Straps & Base:** Carbon Steel ASTM A-36

- **Glue:** Industrial contact adhesive.

- **Coating:** Primer coated or hot dipped galvanized. Other coatings available upon request.

Fasteners: ASTM A-307 plated.

Formal Submittal Sheets available

INTRODUCTION

SECTION "D"

PRE-INSULATED PIPE SUPPORTS – Hanger Type

APPLICATION – Heavy Industrial and Large HVAC Distribution Systems

Note: These supports were designed to take advantage of maximum hanger spacings and/or to accommodate thermal loads or loads due to the presence of valves or other pipe systems components.

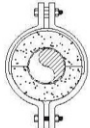
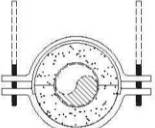
Models D1000 – D2000	Two-bolt hanger insulated supports for up to 4" pipe size.
Models D3000 – D3300	Two-bolt hanger insulated supports for 1" through 42" pipe size.
Models D4000 – D5000	Double-rod hung insulated supports for up to 4" pipe size. Designed to accommodate minimum overhead clearance conditions.
Models D6000 – D6300	Double-rod insulated supports for 5" through 30" pipe size. Designed to accommodate minimum overhead clearance conditions.

By modifying our standard pipe support concept with combinations of structural insert materials and strap design, we can readily and economically respond to virtually any pipe support requirement.

Please acquaint yourself with the selection guide at the front of this catalog and the section index on the page following this introduction, for assistance in determining the most appropriate support for your application.

PRE-INSULATED PIPE SUPPORTS

HANGER TYPE

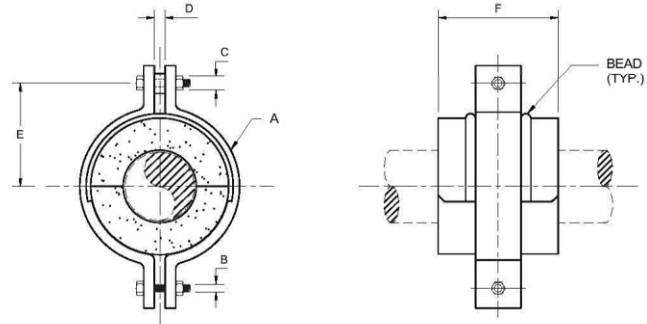
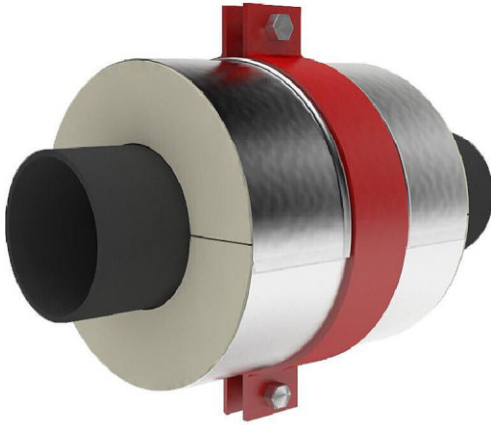
MODEL	PIPE SIZE RANGE	PRIMARY APPLICATION		SPECIAL FEATURES	DUTY	
		HOT	COLD			
						
	D1000	1/2 - 4	X		2 - BOLT	HEAVY
	D2000	1/2 - 4		X	2 - BOLT	HEAVY
	D3000	1 - 42	X	X	2 - BOLT	HEAVY
	D3100	1 - 42	X	X	2 - BOLT	EXTRA-HEAVY
	D3200	1 - 42	X	X	2 - BOLT	HEAVIER
	D3300	1 - 42	X	X	2 - BOLT	HEAVIEST
						
	D4000	1/2 - 4	X		MIN. OVERHEAD CLEARANCE	HEAVY
	D5000	1/2 - 4		X	"	HEAVY
	D6000	5 - 30	X	X	"	HEAVY
	D6100	5 - 30	X	X	"	EXTRA-HEAVY
	D6200	16 - 30	X	X	"	HEAVIER
	D6300	20 - 30	X	X	"	HEAVIEST

TO ORDER, specify:

- | | |
|-------------------------|--------|
| 1. Quantity | 20 |
| 2. Pipe Size & Type | 2" IPS |
| 3. Insulation Thickness | 3" |
| 4. Model Number | D1000 |

EXAMPLE: (20) 2 x 3 D1000

Model D1000 Insulated 2-Bolt Hanger



The load ratings represent average values obtained in accordance with accepted test methods and are subject to normal manufacturing variations. Dimensions and ratings are subject to change without notice. Available in all insulation thickness.

Contact factory for current information.

Iron Pipe Size	Vert load lbs.	A	B	C	D	Insul. Thk. 1"		Insul. Thk. 2"		Insul. Thk. 3"		Insul. Thk. 4"		Insul. Thk. 5"	
						E	F	E	F	E	F	E	F	E	F
						1/2	65	1/8x 1 1/2	0.38	0.69	0.56	2.38	4	3.44	4
3/4	75	1/8x 1 1/2	0.38	0.69	0.56	2.38	4	3.44	4	4.75	6	5.75	6	6.81	6
1	90	1/8x 1 1/2	0.38	0.69	0.56	2.69	4	3.72	4	4.75	6	5.75	6	6.81	6
1 1/2	150	1/8x 1 1/2	0.38	0.69	0.56	2.94	4	4.25	4	5.25	6	6.31	6	7.31	6
2	245	1/4x 1 1/2	0.50	0.81	0.63	3.56	6	4.63	6	5.63	6	6.69	6	7.69	6
2 1/2	290	1/4x 1 1/2	0.50	0.81	0.63	3.81	6	5.13	6	6.13	9	7.19	9	8.31	9
3	365	1/4x 1 1/2	0.63	1.06	0.63	4.22	6	5.25	6	6.25	9	7.31	9	8.44	9
4	475	1/4x 1 1/2	0.63	1.06	0.63	4.75	6	5.75	6	6.81	9	7.81	9	8.94	9

TABLE I

Application:

Model D1000 is designed for use on:

- Hot water
- Cold water
- Chilled water
- Dual temperature
- Steam
- Air
- Gas
- Vacuum

Intended to be hung from threaded rod.

Temperature Range:

Standard: +40°F to +1200°F CalSil Insulation

Note: Up to 1800°F available upon request.

Cryogenic: -275°F to +275°F Urethane Insulation.

Add U after the model number (i.e., D1000U)

Features:

- Compact
- Easy installation
- Eliminates welding to pipe
- Copper tubing sizes and pipe sizes
- Overlapping galvanized sheet metal jacket
- Minimizes heat loss and/or condensation
- Other I.D.'s and/or O.D.'s available on request

Performance test results on file:

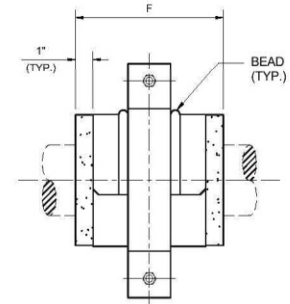
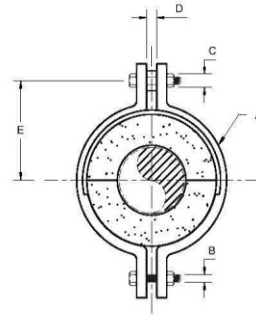
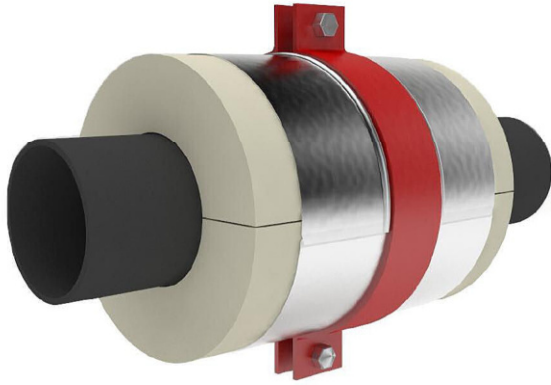
Available upon request.

Material Data:

- **D1000:** Applicable PSI specification document: No. 209.
- **Insulation:** Calcium Silicate – Asbestos-free, treated with water repellent.
- **Jackets:** Galvanized Steel ASTM A-653.
- **Steel Straps:** Carbon Steel ASTM A-36
- **Glue:** Industrial contact adhesive.
- **Coating:** Primer coated or hot dipped galvanized. Other coatings available upon request.
- **Fasteners:** ASTM A-307 plated.

Formal submittal sheets available

Model D2000 Insulated 2-Bolt Hanger



The load ratings represent average values obtained in accordance with accepted test methods and are subject to normal manufacturing variations. Dimensions and ratings are subject to change without notice. Available in all insulation thickness.

Contact factory for current information.

Iron Pipe Size	Vert load lbs.	A	B	C	D	Insul. Thk. 1"		Insul. Thk. 2"		Insul. Thk. 3"		Insul. Thk. 4"		Insul. Thk. 5"	
						E	F	E	F	E	F	E	F	E	F
						1/2	65	1/8x 1 1/2	0.38	0.69	0.56	2.38	6	3.44	6
3/4	75	1/8x 1 1/2	0.38	0.69	0.56	2.38	6	3.44	6	4.75	6	5.75	6	6.81	6
1	90	1/8x 1 1/2	0.38	0.69	0.56	2.69	6	3.72	6	4.75	6	5.75	6	6.81	6
1 1/2	150	1/8x 1 1/2	0.38	0.69	0.56	2.94	6	4.25	6	5.25	6	6.31	6	7.31	6
2	245	1/4x 1 1/2	0.50	0.81	0.63	3.56	6	4.63	6	5.63	6	6.69	6	7.69	6
2 1/2	290	1/4x 1 1/2	0.50	0.81	0.63	3.81	6	5.13	6	6.13	9	7.19	9	8.31	9
3	365	1/4x 1 1/2	0.63	1.06	0.63	4.22	6	5.25	6	6.25	9	7.31	9	8.44	9
4	475	1/4x 1 1/2	0.63	1.06	0.63	4.75	6	5.75	6	6.81	9	7.81	9	8.94	9

TABLE I

Application:

D2000 is designed for use on:

- Cold water
- Chilled water

Intended to be hung from threaded rod

Temperature Range:

Standard: +40°F to +1200°F CalSil Insulation

Note: Up to 1800°F available upon request.

Cryogenic: -275°F to +275°F Urethane Insulation.

Add U after the model number (i.e., D2000U)

Features:

- Compact
- Easy installation
- Eliminates welding to pipe
- Copper tubing sizes and pipe sizes
- Overlapping galvanized sheet metal jacket
- Minimizes heat loss and/or condensation
- Other I.D.'s and/or O.D.'s available on request
- Calcium silicate insulation extend 1" beyond the galvanized sheet metal jacket providing for an easier wet lag butt joint with the pipe insulation.

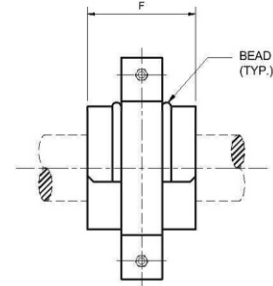
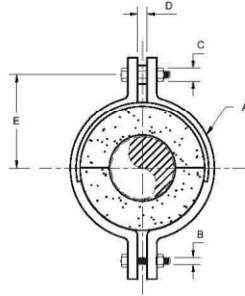
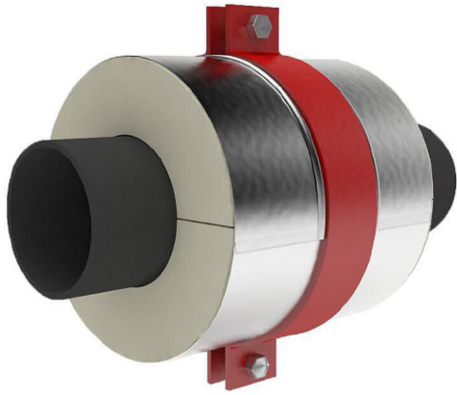
Performance test results on file:
Available upon request.

Material Data:

- **D2000:** Applicable PSI specification document: No. 209.
- **Insulation:** Calcium silicate – Asbestos-free, treated with water repellent.
- **Jackets:** Galvanized steel ASTM A-653.
- **Steel Straps:** Carbon steel ASTM A-36
- **Glue:** Industrial contact adhesive.
- **Coating:** Primer coated or hot dipped galvanized. Other coatings available upon request.
- **Fasteners:** ASTM A-307 plated.

Formal submittal sheets available

Model D3000 Insulated 2-Bolt Hanger



The load ratings represent average values obtained in accordance with accepted test methods and are subject to normal manufacturing variations. Dimensions and ratings are subject to change without notice. Available in all insulation thickness.

Contact factory for current information.

Note: For higher load ratings, see: D3100.

Pipe Size	Vert load lbs.	A	B	C	D	Insul. Thk. 1"		Insul. Thk. 2"		Insul. Thk. 3"		Insul. Thk. 4"		Insul. Thk. 5"	
						E	F	E	F	E	F	E	F	E	F
						1	285	3/16x2	0.375	0.675	0.75	2.81	6	3.84	6
1 1/2	320	3/16x2	0.375	0.675	0.75	3.06	6	4.38	6	5.38	6	6.44	6	7.44	6
2	320	3/16x2	0.375	0.675	0.75	3.31	6	4.38	6	5.38	6	6.44	6	7.44	6
2 1/2	540	1/4x2	0.375	0.675	0.75	3.69	6	5	6	6	6	7.06	6	8.19	6
3	540	1/4x2	0.375	0.675	0.75	3.97	6	5	6	6	6	7.06	6	8.19	6
4	770	1/4x3	0.5	0.84	0.75	4.63	6	5.63	6	6.69	6	7.69	6	8.81	6
5	1125	3/8x3	0.5	0.84	0.75	5.38	6	6.38	6	7.44	6	8.56	6	9.56	6
6	1430	3/8x3	0.625	1.05	0.75	6	6	7.06	6	8.06	6	9.18	6	10.19	6
8	1805	1/2x3	0.625	1.05	0.75	7.31	6	8.31	6	9.44	6	10.44	6	11.44	6
10	2310	1/2x3	0.75	1.05	0.75	8.44	6	9.56	6	10.56	6	11.56	6	12.56	6
12	2705	5/8x3	0.75	1.05	0.75	9.69	6	10.69	6	11.69	6	12.69	6	13.69	6
14	2705	5/8x3	0.75	1.05	0.75	10.19	6	11.19	6	12.18	6	13.19	6	14.19	6
16	3035	5/8x3	0.875	1.315	1	11.31	6	12.31	6	13.31	6	14.31	6	15.31	6
18	3750	3/4x3	0.875	1.315	1	12.56	6	13.56	6	14.56	6	15.56	6	16.56	6
20	3855	3/4x3	1	1.315	1	13.69	6	14.69	6	15.69	6	16.69	6	17.69	6
24	4935	1x3	1	1.315	1	16.19	6	17.19	6	18.19	6	19.18	6	20.19	6
30	5295	1x3	1.25	1.66	1.25	19.44	6	20.44	6	21.44	6	22.44	6	23.44	6
36	7855	1x6	1.25	1.66	1.25	22.44	9	23.44	9	24.44	9	25.44	9	26.44	9
42	7970	1x6	1.25	1.66	1.25	25.44	9	26.44	9	27.44	9	28.44	9	29.44	9

TABLE I

Application:

D3000 is designed for use on:

- Hot water
- Cold water
- Chilled water
- Dual temperature
- Steam
- Air
- Gas
- Vacuum

Intended to be hung from threaded rod.

Temperature Range:

Standard: +40°F to +1200°F CalSil Insulation

Note: Up to 1800°F available upon request.

Cryogenic: -275°F to +275°F Urethane Insulation.

Add U after the model number (i.e., D3000U)

Features:

- Compact
- Easy installation
- Eliminates welding to pipe
- Copper tubing sizes and pipe sizes
- Overlapping galvanized sheet metal jacket
- Minimizes heat loss and/or condensation
- Other I.D.'s and/or O.D.'s available on request

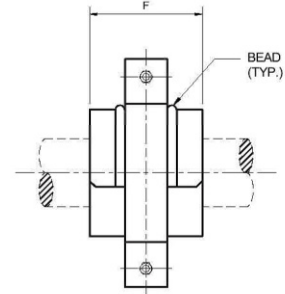
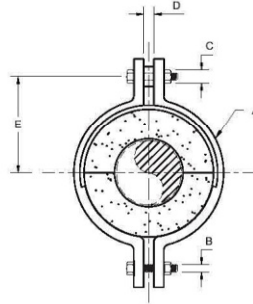
Performance test results on file:

Available upon request.

Material Data:

- **D3000:** Applicable PSI specification document: No. 209.
 - **Insulation:** Calcium silicate asbestos-free, treated with water repellent.
 - **Jackets:** Galvanized steel ASTM A-653.
 - **Glue:** Industrial contact adhesive
 - **Structural Inserts:** High-density calcium silicate asbestos free, treated with water repellent.
 - **Steel Straps:** Carbon steel ASTM A-36.
 - **Fasteners:** ASTM A-307 plated.
 - **Coating:** Primer coated or hot dipped galvanized. Other coatings available upon request
- Formal submittal sheets available**

Model D3100 Insulated 2-Bolt Hanger



The load ratings represent average values obtained in accordance with accepted test methods and are subject to normal manufacturing variations. Dimensions and ratings are subject to change without notice. Available in all insulation thickness.

Contact factory for current information.

Note: For higher load ratings, see: D3200.

Pipe Size	Vert load lbs.	A	B	C	D	Insul. Thk. 1"		Insul. Thk. 2"		Insul. Thk. 3"		Insul. Thk. 4"		Insul. Thk. 5"	
						E	F	E	F	E	F	E	F	E	F
						1	510	3/16x3	0.375	0.675	0.75	2.81	6	3.84	6
1 1/2	605	1/4x3	0.375	0.675	0.75	3.19	6	4.5	6	5.5	6	6.56	6	7.56	6
2	605	1/4x3	0.375	0.675	0.75	3.44	6	4.5	6	5.5	6	6.56	6	7.56	6
2 1/2	810	1/4x3	0.5	0.84	0.75	3.81	6	5.13	6	6.13	6	7.19	6	8.31	6
3	1125	3/8x3	0.5	0.84	0.75	4.34	6	5.38	6	6.38	6	7.44	6	8.56	6
4	1720	3/8x3	0.625	1.05	0.75	5	6	6	6	7.06	6	8.06	6	9.19	6
5	2340	1/2x3	0.75	1.05	0.75	5.88	6	6.88	6	7.94	6	9.06	6	10.06	6
6	2705	1/2x3	0.75	1.05	0.75	6.38	6	7.44	6	8.44	6	9.56	6	10.56	6
8	3605	5/8x3	0.875	1.315	1	7.69	6	8.69	6	9.81	6	10.81	6	11.81	6
10	3630	5/8x3	0.875	1.315	1	8.69	6	9.81	6	10.81	6	11.81	6	12.81	6
12	4660	3/4x3	1	1.315	1	10.19	6	11.19	6	12.19	6	13.19	6	14.19	6
14	4660	3/4x3	1	1.315	1	10.69	6	11.69	6	12.69	6	13.69	6	14.69	6
16	6820	3/4x5	1.25	1.66	1.25	11.94	9	12.94	9	13.94	9	14.94	9	15.94	9
18	6820	3/4x5	1.25	1.66	1.25	12.94	9	13.94	9	14.94	9	15.94	9	16.94	9
20	7970	1x6	1.25	1.66	1.25	14.44	9	15.44	9	16.44	9	17.44	9	18.44	9
24	10285	1x6	1.5	1.9	1.25	16.69	9	17.69	9	18.69	9	19.69	9	20.69	9
30	10600	1x6	1.5	1.9	1.25	19.69	9	20.69	9	21.69	9	22.69	9	23.69	9
36	13020	1 1/4x6	2	2.375	1.75	23.69	9	24.69	9	25.69	9	26.69	9	27.69	9
42	13020	1 1/4x6	2	2.375	1.75	26.69	9	27.69	9	28.69	9	29.69	9	30.69	9

TABLE I

Application:

D3100 is designed for use on:

- Hot Water
- Cold Water
- Chilled Water
- Dual Temperature
- Steam
- Air
- Gas
- Vacuum

Intended to be hung from threaded rod

Temperature Range:

Standard: +40°F to +1200°F CalSil Insulation

Note: Up to 1800°F available upon request.

Cryogenic: -275°F to +275°F Urethane Insulation.

Add U after the model number (i.e., D3100U)

Features:

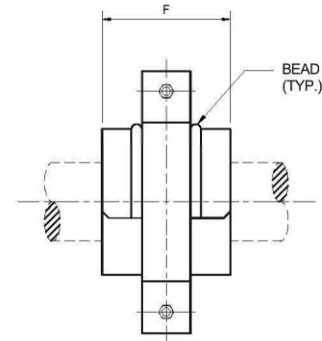
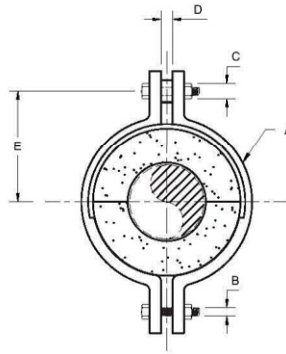
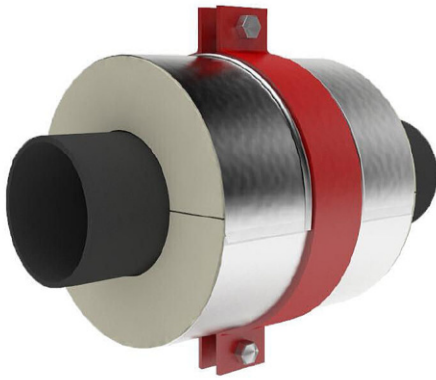
- Compact
- Easy installation
- Eliminates welding to pipe
- Copper tubing sizes and pipe sizes
- Overlapping galvanized sheet metal jacket
- Minimizes heat-loss and/or condensation
- Other I.D.'s and/or O.D.'s available on request

Performance test results on file:
Available upon request.

Material Data:

- **D3100:** Applicable PSI specification document: No. 209
 - **Insulation:** Calcium silicate asbestos-free, treated with water repellent
 - **Jackets:** Galvanized steel ASTM A-653
 - **Glue:** Industrial contact adhesive
 - **Structural Inserts:** High-density calcium silicate asbestos free, treated with water repellent
 - **Steel Straps:** Carbon steel ASTM A-36
 - **Fasteners:** ASTM A-307 plated
 - **Coating:** Primer coated or hot dipped galvanized
Other coatings available upon request
- Formal submittal sheets available**

Model D3200 Insulated 2-Bolt Hanger



The load ratings represent average values obtained in accordance with accepted test methods and are subject to normal manufacturing variations. Dimensions and ratings are subject to change without notice. Available in all insulation thickness.

Contact factory for current information.

Note: For higher load ratings, see: D3300.

Pipe Size	Vert load lbs.	A	B	C	D	Insul. Thk. 1"		Insul. Thk. 2"		Insul. Thk. 3"		Insul. Thk. 4"		Insul. Thk. 5"	
						E	F	E	F	E	F	E	F	E	F
1	850	1/4x4 1/2	0.625	1.05	0.75	3.19	9	4.22	9	5.25	9	6.25	9	7.31	9
1 1/2	1215	1/4x4 1/2	0.625	1.05	0.75	3.44	9	4.75	9	5.75	9	6.81	9	7.81	9
2	1215	1/4x4 1/2	0.625	1.05	0.75	3.69	9	4.75	9	5.75	9	6.81	9	7.81	9
2 1/2	1215	1/4x4 1/2	0.625	1.05	0.75	3.94	9	5.25	9	6.25	9	7.31	9	8.44	9
3	1805	3/8x4 1/2	0.625	1.05	0.75	4.47	9	5.5	9	6.5	9	7.56	9	8.69	9
4	2585	3/8x4 1/2	0.75	1.05	0.75	5.13	9	6.13	9	7.19	9	8.19	9	9.31	9
5	2705	1/2x4 1/2	0.75	1.05	0.75	5.88	9	6.88	9	7.94	9	9.06	9	10.06	9
6	3750	1/2x4 1/2	0.875	1.315	1	6.5	9	7.56	9	8.56	9	9.69	9	10.69	9
8	4215	1/2x5	1	1.315	1	7.81	9	8.81	9	9.94	9	10.94	9	11.94	9
10	6045	5/8x5	1.25	1.66	1.25	9.06	9	10.19	9	11.19	9	12.19	9	13.19	9
12	7770	3/4x5	1.25	1.66	1.25	10.44	9	11.44	9	12.44	9	13.44	9	14.44	9
14	7770	3/4x5	1.25	1.66	1.25	10.94	9	11.94	9	12.94	9	13.94	9	14.94	9
16	7970	1x5	1.25	1.66	1.25	12.44	9	13.44	9	14.44	9	15.44	9	16.44	9
18	11270	1x5	1.5	1.9	1.25	13.69	9	14.69	9	15.69	9	16.69	9	17.69	9
20	11465	1x6	1.5	1.9	1.25	14.69	9	15.69	9	16.69	9	17.69	9	18.69	9
24	12220	1x6	2	2.375	1.75	17.06	9	18.06	9	19.06	9	20.06	9	21.06	9
30	16480	1 1/4x6	2	2.375	1.75	20.69	9	21.69	9	22.69	9	23.69	9	24.69	9
36	17370	1 1/4x8	2	2.375	1.75	23.69	12	24.69	12	25.69	12	26.69	12	27.69	12
42	17370	1 1/4x8	2	2.375	1.75	26.69	12	27.69	12	28.69	12	29.69	12	30.69	12

TABLE I

Application:

D3200 is designed for use on:

- Hot water
- Cold water
- Chilled water
- Dual temperature
- Steam
- Air
- Gas
- Vacuum

Intended to be hung from threaded rod

Temperature Range:

Standard: +40°F to +1200°F CalSil Insulation
Note: Up to 1800°F available upon request.
Cryogenic: -275°F to +275°F Urethane Insulation.
 Add U after the model number (i.e., D3200U)

Features:

- Compact
- Easy installation
- Eliminates welding to pipe
- Copper tubing sizes and pipe sizes
- Overlapping galvanized sheet metal jacket
- Minimizes heat-loss and/or condensation
- Other I.D.'s and/or O.D.'s available on request

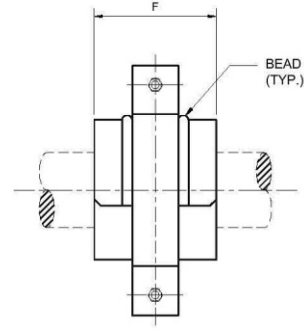
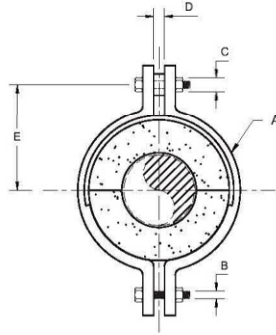
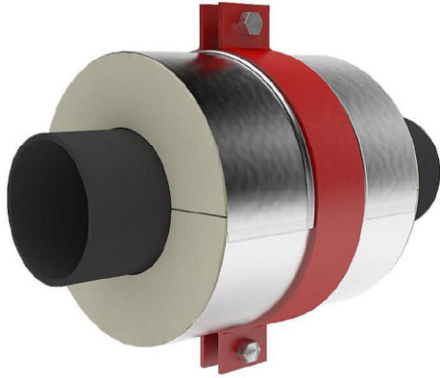
Performance Test Results on File:
 Available upon request.

Material Data:

- **D3200:** Applicable PSI specification document: No. 209
- **Insulation:** Calcium silicate asbestos-free, treated with water repellent
- **Jackets:** Galvanized steel ASTM A-653
- **Glue:** Industrial contact adhesive
- **Structural Inserts:** High-density calcium silicate asbestos free, treated with water repellent
- **Steel Straps:** Carbon steel ASTM A-36.
- **Fasteners:** ASTM A-307 plated.
- **Coating:** Primer coated or hot dipped galvanized. Other coatings available upon request

Formal submittal sheets available

Model D3300 Insulated 2-Bolt Hanger



The load ratings represent average values obtained in accordance with accepted test methods and are subject to normal manufacturing variations. Dimensions and ratings are subject to change without notice. Available in all insulation thickness.

Note: For higher load ratings contact factory. Contact factory for current information.

Pipe Size	Vert load lbs.	A	B	C	D	Insul. Thk. 1"		Insul. Thk. 2"		Insul. Thk. 3"		Insul. Thk. 4"		Insul. Thk. 5"	
						E	F	E	F	E	F	E	F	E	F
						1	1135	1/4x6	0.625	1.05	0.75	3.188	9	4.22	9
1.5	1630	1/4x6	0.625	1.05	0.75	3.44	9	4.75	9	5.75	9	6.81	9	7.81	9
2	1715	1/4x6	0.625	1.05	0.75	3.69	9	4.75	9	5.75	9	6.81	9	7.81	9
2.5	1805	3/8x6	0.625	1.05	0.75	4.19	9	5.5	9	6.5	9	7.56	9	8.69	9
3	2705	3/8x6	0.75	1.05	0.75	4.59	9	5.63	9	6.63	9	7.69	9	8.81	9
4	3445	3/8x6	0.875	1.315	1	5.25	9	6.25	9	7.31	9	8.31	9	9.44	9
5	3750	1/2x6	0.875	1.315	1	6	9	7	9	8.06	9	9.19	9	10.19	9
6	4935	1/2x6	1	1.315	1	6.75	9	7.81	9	8.81	9	9.94	9	10.94	9
8	7215	5/8x6	1.25	1.66	1.25	8.06	9	9.06	9	10.19	9	11.19	9	12.19	9
10	7257	5/8x6	1.25	1.66	1.25	9.06	9	10.19	9	11.19	9	12.19	9	13.19	9
12	9320	3/4x6	1.5	1.9	1.25	10.69	9	11.69	9	12.69	9	13.69	9	14.69	9
14	9320	3/4x6	1.5	1.9	1.25	11.19	9	12.19	9	13.19	9	14.19	9	15.19	9
16	11465	1x6	1.5	1.9	1.25	12.69	9	13.69	9	14.69	9	15.69	9	16.69	9
18	14445	1x6	2	2.375	1.75	14.06	9	15.06	9	16.06	9	17.06	9	18.06	9
20	16580	1 1/4x6	2	2.375	1.75	15.69	9	16.69	9	17.69	9	18.69	9	19.69	9
24	19005	1 1/4x6	2	2.375	1.75	17.69	9	18.69	9	19.69	9	20.69	9	21.69	9
30	20605	1 1/4x8	2	2.375	1.75	20.69	12	21.69	12	22.69	12	23.69	12	24.69	12
36	24905	1 1/2x8	2.5	3.508	1.75	24.44	12	25.44	12	26.44	12	27.44	12	28.44	12
42	24905	1 1/2x8	2.5	3.508	1.75	27.44	12	28.44	12	29.44	12	30.44	12	31.44	12

TABLE I

Application:

D3300 is designed for use on:

- Hot water
- Cold water
- Chilled water
- Dual temperature
- Steam
- Air
- Gas
- Vacuum

Intended to be hung from threaded rod

Temperature Range:

Standard: +40°F to +1200°F CalSil Insulation

Note: Up to 1800°F available upon request.

Cryogenic: -275°F to +275°F Urethane Insulation.
Add U after the model number (i.e., D3300U)

Features:

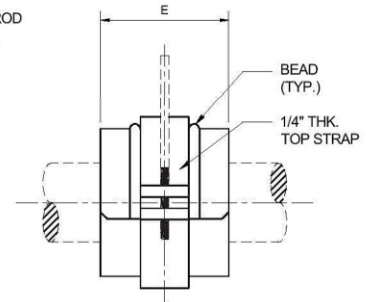
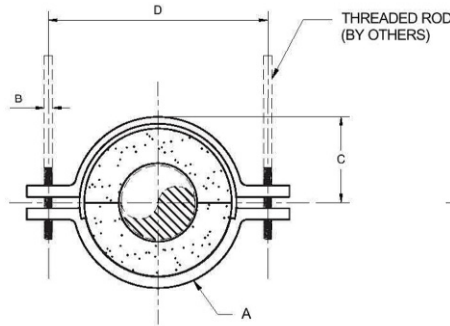
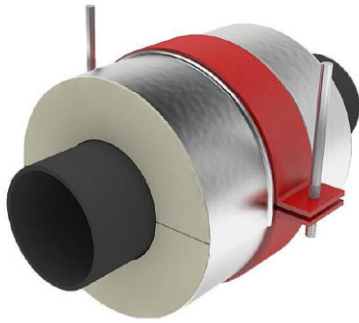
- Compact
- Easy installation
- Eliminates welding to pipe
- Copper tubing sizes and pipe sizes
- Overlapping galvanized sheet metal jacket
- Minimizes heat-loss and/or condensation
- Other I.D.'s and/or O.D.'s available on request

Performance test results on file:
Available upon request.

Material Data:

- **D3300:** Applicable PSI specification document: No. 209.
 - **Insulation:** Calcium silicate asbestos-free, treated with water repellent.
 - **Jackets:** Galvanized steel ASTM A-653.
 - **Glue:** Industrial contact adhesive
 - **Structural Inserts:** High-density calcium silicate asbestos free, treated with water repellent.
 - **Steel Straps:** Carbon steel ASTM A-36.
 - **Fasteners:** ASTM A-307 plated.
 - **Coating:** Primer coated or hot dipped galvanized. Other coatings available upon request
- Formal submittal sheets available**

Model D4000 Insulated 2-Rod Hanger



The load ratings represent average values obtained in accordance with accepted test methods and are subject to normal manufacturing variations. Dimensions and ratings are subject to change without notice. Available in all insulation thickness.

Contact factory for current information.

Note: For higher load rating contact factory

Pipe Size	Vert load lbs.	A	B	Insul. Thk. 1"			Insul. Thk. 2"			Insul. Thk. 3"			Insul. Thk. 4"		
				C	D	E	C	D	E	C	D	E	C	D	E
1/2	65	1/8x1 1/2	0.375	1.63	4.75	6	2.69	6.875	6	4.0	9.5	6	5.0	11.5	6
3/4	75(a)	1/8x1 1/2	0.375	1.63	4.75	6	2.69	6.875	6	4.0	9.5	6	5.0	11.5	6
1	90	1/8x1 1/2	0.375	1.94	5.375	6	2.97	7.437	6	4.0	9.5	6	5.0	11.5	6
1 1/2	130	1/8x1 1/2	0.375	2.19	5.875	6	3.50	8.5	6	4.5	10.5	6	5.56	12.625	6
2	245	1/4x1 1/2	0.375	2.44	6.875	6	3.50	9	6	4.5	11	6	5.56	13.125	6
2 1/2	290	1/4x1 1/2	0.375	2.69	7.375	6	4.0	10	6	5.0	12	9	6.06	14.125	9
3	365	1/4x1 1/2	0.375	2.97	7.937	6	4.0	10	6	5.0	12	9	6.06	14.125	9
4	475	1/4x1 1/2	0.375	3.5	9	6	4.5	11	6	5.56	13.125	9	6.56	15.125	9

TABLE I

Application:

D4000 is designed for use on:

- Hot water
- Cold water
- Chilled water
- Dual temperature
- Steam
- Air
- Gas
- Vacuum

Intended to be hung from two threaded rods in close overhead clearance conditions.

Temperature Range:

Standard: +40°F to +1200°F CalSil Insulation

Note: Up to 1800°F available upon request.

Cryogenic: -275°F to +275°F Urethane Insulation.

Add U after the model number (i.e., D4000U)

Features:

- Compact
- Easy installation
- Eliminates welding to pipe
- Copper tubing sizes and pipe sizes
- Overlapping galvanized sheet metal jacket
- Minimizes heat-loss and/or condensation
- Other I.D.'s and/or O.D.'s available on request

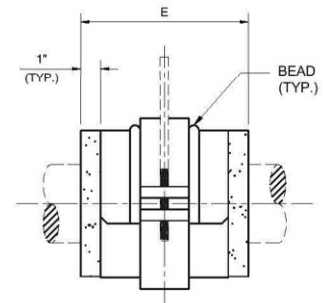
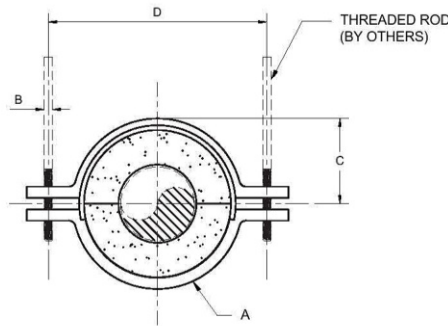
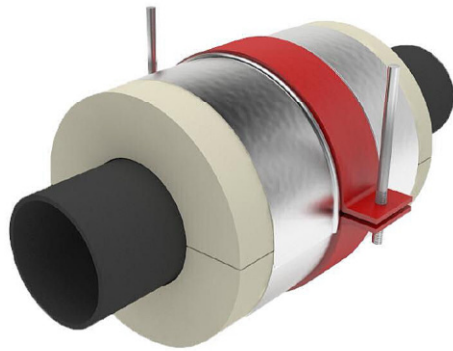
Performance test results on file:

Available upon request.

Material Data:

- **D4000:** Applicable PSI specification document: No. 209.
 - **Insulation:** Calcium silicate asbestos-free, treated with water repellent.
 - **Jackets:** Galvanized steel ASTM A-653.
 - **Glue:** Industrial contact adhesive
 - **Structural Inserts:** High-density calcium silicate asbestos free, treated with water repellent.
 - **Steel Straps:** Carbon steel ASTM A-36.
 - **Fasteners:** ASTM A-307 plated.
 - **Coating:** Primer coated or hot dipped galvanized. Other coatings available upon request
- Formal submittal sheets available**

Model D5000 Insulated 2-Rod Hanger



The load ratings represent average values obtained in accordance with accepted test methods and are subject to normal manufacturing variations. Dimensions and ratings are subject to change without notice. Available in all insulation thickness.

Contact factory for current information.

Note: For higher load rating contact factory

Pipe Size	Vert load lbs.	A	B	Insul. Thk. 1"			Insul. Thk. 2"			Insul. Thk. 3"			Insul. Thk. 4"		
				C	D	E	C	D	E	C	D	E	C	D	E
1/2	65	1/8x1 1/2	0.375	1.63	4.75	6	2.69	6.875	6	4.0	9.5	6	5.0	11.5	6
3/4	75	1/8x1 1/2	0.375	1.63	4.75	6	2.69	6.875	6	4.0	9.5	6	5.0	11.5	6
1	90	1/8x1 1/2	0.375	1.94	5.375	6	2.97	7.437	6	4.0	9.5	6	5.0	11.5	6
1 1/2	130	1/8x1 1/2	0.375	2.19	5.875	6	3.50	8.5	6	4.5	10.5	6	5.56	12.625	6
2	245	1/4x1 1/2	0.375	2.44	6.875	6	3.50	9	6	4.5	11	6	5.56	13.125	6
2 1/2	290	1/4x1 1/2	0.375	2.69	7.375	6	4.0	10	6	5.0	12	9	6.06	14.125	9
3	365	1/4x1 1/2	0.375	2.97	7.937	6	4.0	10	6	5.0	12	9	6.06	14.125	9
4	475	1/4x1 1/2	0.375	3.5	9	6	4.5	11	6	5.56	13.125	9	6.56	15.125	9

TABLE I

Application:

D5000 is designed for use on:

- Cold water
- Chilled water

Intended to be hung from two threaded rods in close overhead clearance conditions.

Temperature Range:

Standard: +40°F to +1200°F CalSil Insulation

Note: Up to 1800°F available upon request.

Cryogenic: -275°F to +275°F Urethane Insulation.

Add U after the model number (i.e., D5000U)

Features:

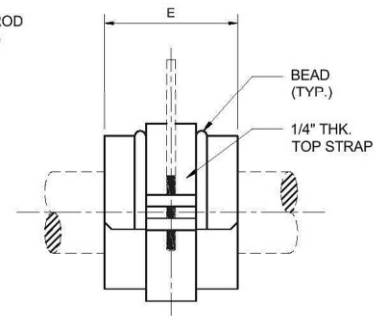
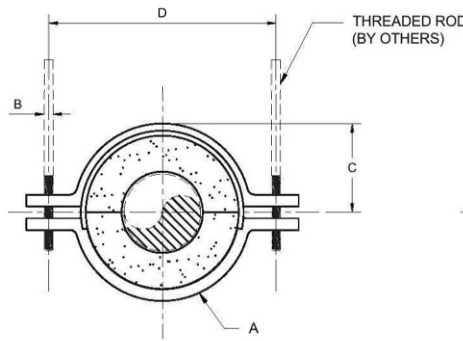
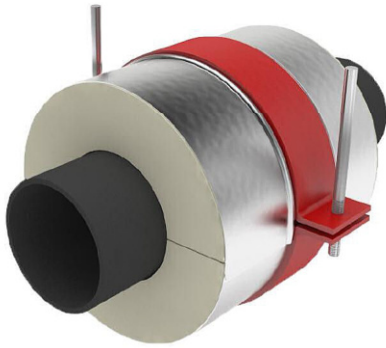
- Compact
- Easy installation
- Eliminates welding to pipe
- Copper tubing sizes and pipe sizes
- Overlapping galvanized sheet metal jacket
- Minimizes heat-loss and/or condensation
- Minimal overhead clearance requirement
- Other I.D.'s and/or O.D.'s available on request

Performance test results on file:
Available upon request.

Material Data:

- **D5000:** Applicable PSI specification document: No. 209.
 - **Insulation:** Calcium silicate asbestos-free, treated with water repellent.
 - **Jackets:** Galvanized steel ASTM A-653.
 - **Glue:** Industrial contact adhesive
 - **Structural Inserts:** High-density calcium silicate asbestos free, treated with water repellent.
 - **Steel Straps:** Carbon steel ASTM A-36.
 - **Fasteners:** ASTM A-307 plated.
 - **Coating:** Primer coated or hot dipped galvanized. Other coatings available upon request
- Formal submittal sheets available**

Model D6000 Insulated 2-Rod Hanger



The load ratings represent average values obtained in accordance with accepted test methods and are subject to normal manufacturing variations. Dimensions and ratings are subject to change without notice. Available in all insulation thickness.

Contact factory for current information.

Note: For higher load ratings, see: D6100.

Pipe Size	Vert load lbs.	A	B	Insul. Thk. 1"			Insul. Thk. 2"			Insul. Thk. 3"			Insul. Thk. 4"		
				C	D	E	C	D	E	C	D	E	C	D	E
5	600	1/2x3	0.375	4.13	11	6	5.13	13	6	6.18	15.125	6	7.31	17.375	6
6	800	1/2x3	0.375	4.63	12	6	5.68	14.125	6	6.68	16.125	6	7.81	18.375	6
8	1300	1/2x3	0.500	5.68	14.375	6	6.68	16.375	6	7.81	18.625	6	8.81	20.625	6
10	2000	1/2x3	0.500	6.69	16.375	6	7.81	18.625	6	8.81	20.625	6	9.81	22.625	9
12	2400	5/8x3	0.625	7.81	19.375	6	8.81	21.375	6	9.81	23.375	6	10.81	25.375	9
14	2500	5/8x3	0.625	8.31	20.375	6	9.31	22.375	6	10.31	24.375	9	11.31	26.375	9
16	3300	3/4x3	0.750	9.31	22.875	6	10.31	24.875	9	11.31	26.875	9	12.31	28.875	9
18	3500	3/4x3	0.750	10.31	24.875	9	11.31	26.875	9	12.31	28.875	9	13.31	30.875	12
20	3600	3/4x3	0.750	11.31	26.875	9	12.31	28.875	9	13.31	30.875	9	14.31	32.875	12
24	4500	1x3	0.750	13.31	31.625	9	14.31	33.625	12	15.31	35.625	12	16.31	37.625	12
30	4800	1x3	0.750	16.31	37.625	12	17.31	39.625	12	18.31	41.625	12	19.31	43.625	12

TABLE I

Application:

D6000 is designed for use on:

- Hot water
- Cold water
- Chilled water
- Dual temperature
- Steam
- Air
- Gas
- Vacuum

Intended to be hung from two threaded rods in close overhead clearance conditions.

Temperature Range:

Standard: +40°F to +1200°F CalSil Insulation

Note: Up to 1800°F available upon request.

Cryogenic: -275°F to +275°F Urethane Insulation.

Add U after the model number (i.e., D6000U)

Features:

- Compact
- Easy installation
- Eliminates welding to pipe
- Copper tubing sizes and pipe sizes
- Overlapping galvanized sheet metal jacket
- Minimizes heat-loss and/or condensation
- Minimal overhead clearance requirement
- Other I.D.'s and/or O.D.'s available on request

Performance test results on file:

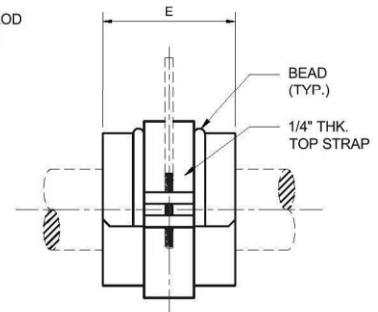
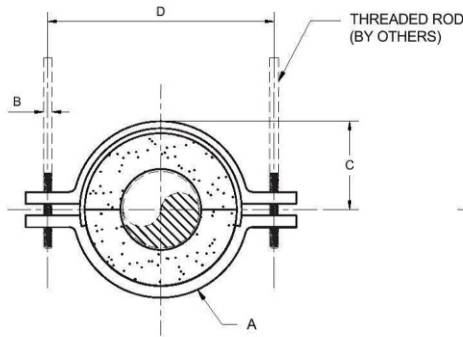
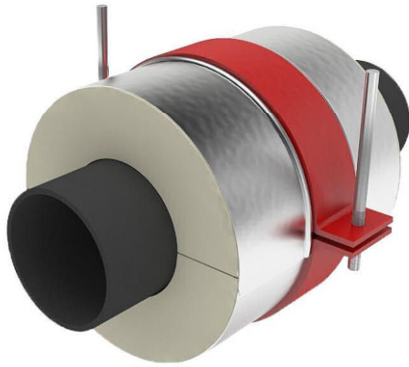
Available upon request.

Material Data:

- **D6000:** Applicable PSI specification document: No. 209.
- **Insulation:** Calcium silicate asbestos-free, treated with water repellent.
- **Jackets:** Galvanized steel ASTM A-653.
- **Glue:** Industrial contact adhesive
- **Structural Inserts:** High-density calcium silicate asbestos free, treated with water repellent.
- **Steel Straps:** Carbon steel ASTM A-36.
- **Fasteners:** ASTM A-307 plated.
- **Coating:** Primer coated or hot dipped galvanized. Other coatings available upon request

Formal submittal sheets available

Model D6100 Insulated 2-Rod Hanger



The load ratings represent average values obtained in accordance with accepted test methods and are subject to normal manufacturing variations. Dimensions and ratings are subject to change without notice. Available in all insulation thickness.

Contact factory for current information.

Note: For higher load ratings, see: D6200.

Pipe Size	Vert load lbs.	A	B	Insul. Thk. 1"			Insul. Thk. 2"			Insul. Thk. 3"			Insul. Thk. 4"		
				C	D	E	C	D	E	C	D	E	C	D	E
5	1200	1/2x3	0.50	4.13	11.25	6	5.13	13.25	6	6.18	15.375	6	7.31	17.625	6
6	1600	1/2x3	0.50	4.63	12.25	6	5.68	14.375	6	6.68	16.375	6	7.81	18.625	6
8	2600	1/2x3	0.63	5.68	14.625	6	6.68	16.625	6	7.81	18.875	6	8.81	20.875	6
10	4000	5/8x3	0.75	6.69	17.125	6	7.81	19.375	6	8.81	21.375	6	9.81	23.375	9
12	4800	3/4x3	0.75	7.81	19.875	6	8.81	21.875	6	9.81	23.875	6	10.81	25.875	9
14	5000	3/4x3	0.75	8.31	20.875	6	9.31	22.875	6	10.31	24.875	9	11.31	26.875	9
16	6150	1x3	0.88	9.31	24.125	6	10.31	26.125	9	11.31	28.125	9	12.31	30.125	9
18	6150	1x4 1/2	0.88	10.31	26.125	9	11.31	28.125	9	12.31	30.125	9	13.31	32.125	9
20	6150	1x4 1/2	0.88	11.31	28.125	9	12.31	30.125	9	13.31	32.125	9	14.31	34.125	12
24	8550	1x4 1/2	1.00	13.31	32.375	9	14.31	34.375	12	15.31	36.375	12	16.31	38.375	12
30	8550	1x4 1/2	1.25	16.31	38.875	12	17.31	40.875	12	18.31	42.875	12	19.31	44.875	12

TABLE I

Application:

D6100 is designed for use on:

- Hot water
- Cold water
- Chilled water
- Dual temperature
- Steam
- Air
- Gas
- Vacuum

Intended to be hung from two threaded rods in close overhead clearance conditions.

Temperature Range:

Standard: +40°F to +1200°F CalSil Insulation

Note: Up to 1800°F available upon request.

Cryogenic: -275°F to +275°F Urethane Insulation.

Add U after the model number (i.e., D6100U)

Features:

- Compact
- Easy installation
- Eliminates welding to pipe
- Copper tubing sizes and pipe sizes
- Overlapping galvanized sheet metal jacket
- Minimizes heat-loss and/or condensation
- Minimal overhead clearance requirement
- Other I.D.'s and/or O.D.'s available on request

Performance test results on file:

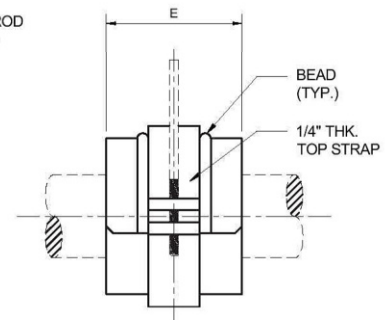
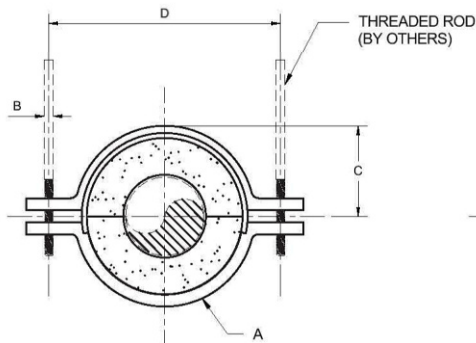
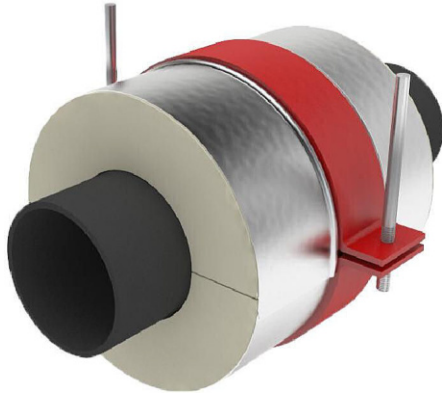
Available upon request.

Material Data:

- **D6100:** Applicable PSI specification document: No. 209.
- **Insulation:** Calcium silicate asbestos-free, treated with water repellent.
- **Jackets:** Galvanized steel ASTM A-653.
- **Glue:** Industrial contact adhesive
- **Structural Inserts:** High-density calcium silicate asbestos free, treated with water repellent.
- **Steel Straps:** Carbon steel ASTM A-36.
- **Fasteners:** ASTM A-307 plated.
- **Coating:** Primer coated or hot dipped galvanized. Other coatings available upon request

Formal submittal sheets available

Model D6200 Insulated 2-Rod Hanger



The load ratings represent average values obtained in accordance with accepted test methods and are subject to normal manufacturing variations. Dimensions and ratings are subject to change without notice. Available in all insulation thickness.

Contact factory for current information.

Note: For higher load ratings, see: D6300.

Pipe Size	Vert load lbs.	A	B	Insul. Thk. 1"			Insul. Thk. 2"			Insul. Thk. 3"			Insul. Thk. 4"		
				C	D	E	C	D	E	C	D	E	C	D	E
				16	6600	1x4 1/2	1.25	9.31	24.875	6	10.31	26.875	9	11.31	28.875
18	7000	1x4 1/2	1.25	10.31	26.875	9	11.31	28.875	9	12.31	30.875	9	13.31	32.875	9
20	7200	1x4 1/2	1.25	11.31	28.875	9	12.31	30.875	9	13.31	32.875	9	14.31	34.875	12
24	9000	1x4 1/2	1.25	13.31	32.875	9	14.31	34.875	12	15.31	36.875	12	16.31	38.875	12
30	9600	1x4 1/2	1.25	16.31	38.875	12	17.31	40.875	12	18.31	42.875	12	19.31	44.875	12

TABLE I

Application:

D6200 is designed for use on:

- Hot water
- Cold water
- Chilled water
- Dual temperature
- Steam
- Air
- Gas
- Vacuum

Intended to be hung from two threaded rods in close overhead clearance conditions.

Temperature Range:

Standard: +40°F to +1200°F CalSil Insulation

Note: Up to 1800°F available upon request.

Cryogenic: -275°F to +275°F Urethane Insulation.
Add U after the model number (i.e., D6200U)

Features:

- Compact
- Easy installation
- Eliminates welding to pipe
- Copper tubing sizes and pipe sizes
- Overlapping galvanized sheet metal jacket
- Minimizes heat-loss and/or condensation
- Minimal overhead clearance requirement
- Other I.D.'s and/or O.D.'s available on request

Performance test results on file:

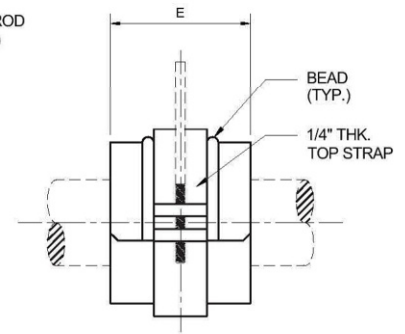
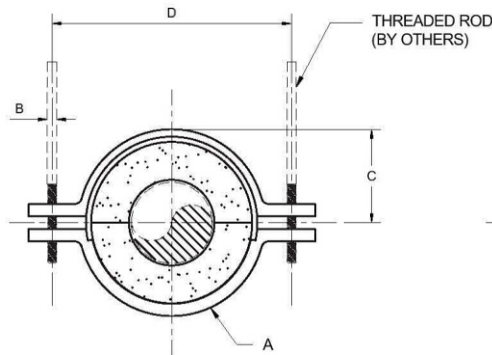
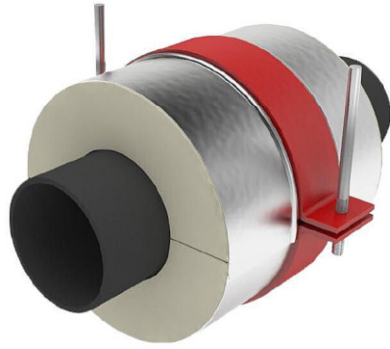
Available upon request.

Material Data:

- **D6200:** Applicable PSI specification document: No. 209.
- **Insulation:** Calcium silicate asbestos-free, treated with water repellent.
- **Jackets:** Galvanized steel ASTM A-653.
- **Glue:** Industrial contact adhesive
- **Structural Inserts:** High-density calcium silicate asbestos free, treated with water repellent.
- **Steel Straps:** Carbon steel ASTM A-36.
- **Fasteners:** ASTM A-307 plated.
- **Coating:** Primer coated or hot dipped galvanized. Other coatings available upon request

Formal submittal sheets available

Model D6300 Insulated 2-Rod Hanger



The load ratings represent average values obtained in accordance with accepted test methods and are subject to normal manufacturing variations. Dimensions and ratings are subject to change without notice. Available in all insulation thickness.

Contact factory for current information.

Note: For higher load ratings contact factory.

Pipe Size	Vert load lbs.	Bolt Torq ft-lbs	A	B	Insul. Thk. 1"			Insul. Thk. 2"			Insul. Thk. 3"			Insul. Thk. 4"		
					C	D	E	C	D	E	C	D	E	C	D	E
					20	8200	50	1x6	1.25	11.31	28.875	9	12.31	30.875	9	13.31
24	11400	50	1x6	1.50	13.31	33.375	9	14.31	35.375	12	15.31	37.375	12	16.31	39.375	12
30	11400	50	1x6	1.50	16.31	39.375	12	17.31	41.375	12	18.31	43.375	12	19.31	45.375	12

TABLE I

Application:

D6300 is designed for use on:

- Hot water
- Cold water
- Chilled water
- Dual temperature
- Steam
- Air
- Gas
- Vacuum

Intended to be hung from two threaded rods in close overhead clearance conditions.

Temperature Range:

Standard: +40°F to +1200°F CalSil Insulation

Note: Up to 1800°F available upon request.

Cryogenic: -275°F to +275°F Urethane Insulation.
Add U after the model number (i.e., D6300U)

Features:

- Compact
- Easy installation
- Eliminates welding to pipe
- Copper tubing sizes and pipe sizes
- Overlapping galvanized sheet metal jacket
- Minimizes heat-loss and/or condensation
- Minimal overhead clearance requirement
- Other I.D.'s and/or O.D.'s available on request

Performance test results on file:
Available upon request.

Material Data:

- **D6300:** Applicable PSI specification document: No. 209.
- **Insulation:** Calcium silicate asbestos-free, treated with water repellent.
- **Jackets:** Galvanized steel ASTM A-653.
- **Glue:** Industrial contact adhesive
- **Structural Inserts:** High-density calcium silicate asbestos free, treated with water repellent.
- **Steel Straps:** Carbon steel ASTM A-36.
- **Fasteners:** ASTM A-307 plated.
- **Coating:** Primer coated or hot dipped galvanized. Other coatings available upon request

Formal submittal sheets available

INTRODUCTION

SECTION "E"

INSULATED PIPE RISER CLAMPS

APPLICATION – Commercial, Light and Heavy Industrial and Large HVAC Distribution Systems

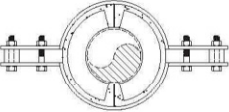
Models E1000 – E1300 Insulated pipe riser clamps for restraint of **downward loads only**. These models require the field welding of two (2) factory supplied thrust plates against the upper side of the riser clamp. The higher the model number in this series, the higher the load rating.

Models E2000 – E2300 Insulated Pipe Riser Clamps for restraint of either, or both, **upward or downward loads**. These models require field welding of two (2) factory supplied thrust plates on both the upper and lower sides of the riser clamp. The higher the model number in this series, the higher the load rating.

Pipe Shields, Inc. can also supply similar clamps (not catalogued) for the support of pipe insulation. Insulated clamps (not catalogued) can be supplied for use as pipe guides on vertical risers.

Please acquaint yourself with the selection guide at the front of this catalog and the section index on the page following this introduction, for assistance in determining the most appropriate support for your application.

INSULATED PIPE RISER CLAMPS

MODEL	PIPE SIZE RANGE	PRIMARY APPLICATION		DUTY	
		DOWNWARD	UPWARD		
					
	E1000	2 - 24	X		MEDIUM
	E1100	2 - 24	X		HEAVY
	E1200	2 - 24	X		HEAVIER
	E1300	12 - 24	X		HEAVIEST
	E2000	2 - 24	X	X	MEDIUM
	E2100	2 - 24	X	X	HEAVY
	E2200	2 - 24	X	X	HEAVIER
	E2300	12 - 24	X	X	HEAVIEST

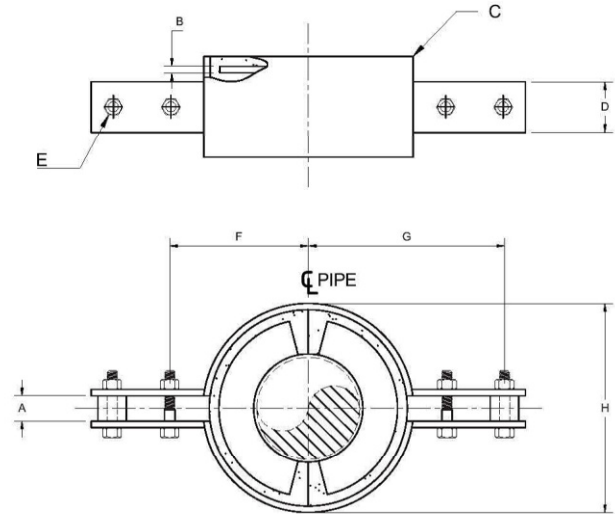
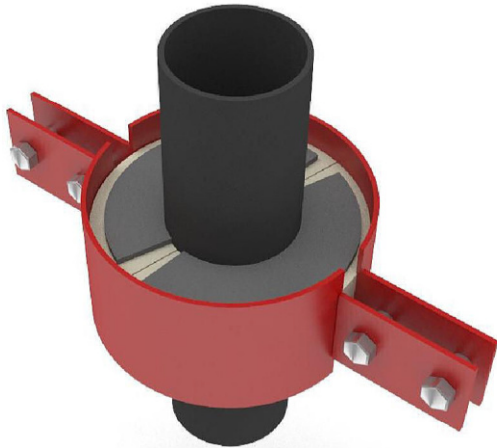
TO ORDER, specify:

- | | |
|-------------------------|--------|
| 1. Quantity | 20 |
| 2. Pipe Size & Type | 4" IPS |
| 3. Insulation Thickness | 2" |
| 4. Model Number | E1000 |

EXAMPLE: (20) 4 x 2 E1000

Model E1000, Model E1010, Model E1020, Model E1030

Insulated Pipe Riser Clamps for Downward Loads



- a) If thrust plate thickness "B" is greater than pipe wall thickness, consult factory.
- b) One pair thrust plates supplied loose for field welding, top only.

Note: For higher load ratings, see: E1100.
Available in all insulation thickness.

Pipe Size	Vert Load lbs.	A	B	C	D	E	Insul. Thk. = 1"			Insul. Thk. = 2"			Insul. Thk. = 3"			Insul. Thk. = 4"		
							F	G	H	F	G	H	F	G	H	F	G	H
2	250	0.63	0.25	0.25 x 3.00	1.50	0.625	3.69	5.69	5.13	4.75	6.75	7.25	5.75	7.75	9.25	6.81	8.81	11.38
2 1/2	300	0.63	0.25	0.25 x 3.00	1.50	0.625	3.94	5.94	5.63	5.25	7.25	8.25	6.25	8.25	10.25	7.31	9.31	12.38
3	400	0.63	0.25	0.25 x 3.00	1.50	0.625	4.22	6.22	6.19	5.25	7.25	8.25	6.25	8.25	10.25	7.31	9.31	12.38
4	600	0.63	0.25	0.25 x 3.00	1.50	0.625	4.75	6.75	7.25	5.75	7.75	9.25	6.81	8.81	11.38	7.81	9.81	13.38
5	800	0.63	0.25	0.25 x 3.00	1.50	0.625	5.25	7.25	8.25	6.25	8.25	10.25	7.31	9.31	12.38	8.44	10.44	14.63
6	1000	0.63	0.25	0.25 x 4.00	2.00	0.625	5.75	7.75	9.25	6.81	8.81	11.38	7.81	9.81	13.38	8.94	10.94	15.63
8	1300	0.63	0.25	0.25 x 4.00	2.00	0.625	6.81	8.81	11.38	7.81	9.81	13.38	8.94	10.94	15.63	9.94	11.94	17.63
10	1600	0.63	0.38	0.38 x 5.00	3.00	0.625	8.06	10.31	13.63	9.19	11.44	15.88	10.19	12.44	17.88	11.19	13.44	19.88
12	1700	0.63	0.38	0.38 x 5.00	3.00	0.625	9.19	11.44	15.88	10.19	12.44	17.88	11.19	13.44	19.88	12.19	14.44	21.88
14	2000	0.88	0.38	0.38 x 5.00	3.00	0.625	9.69	11.94	16.88	10.69	12.94	18.88	11.69	13.94	20.88	12.69	14.94	22.88
16	2300	0.88	0.38	0.38 x 5.00	3.00	0.625	10.69	12.94	18.88	11.69	13.94	20.88	12.69	14.94	22.88	13.69	15.94	24.88
18	2500	0.88	0.38	0.38 x 5.00	3.00	0.625	11.69	13.94	20.88	12.69	14.94	22.88	13.69	15.94	24.88	14.69	16.94	26.88
20	2700	0.88	0.38	0.38 x 5.00	3.00	0.625	12.69	14.94	22.88	13.69	15.94	24.88	14.69	16.94	26.88	15.69	17.94	28.88
24	2800	0.88	0.38	0.38 x 5.00	3.00	0.625	14.69	17.19	26.88	15.69	18.19	28.88	16.69	19.19	30.88	17.69	20.19	32.88

Application:

Model E1000 through E1030 is designed for use on:

- Hot water
- Cold water
- Chilled water
- Dual temperature
- Steam
- Air
- Gas
- Vacuum

Intended for installation on:

- Vertical runs of insulated pipe with downward load only.

Other:

- For handling both upward and downward loads, see E2000

Temperature Range:

Standard: +40°F to +1200°F CalSil Insulation

Note: Up to 1800°F available upon request.

Cryogenic: -275°F to +275°F Urethane Insulation.

Add U after the model number (i.e., E1000U)

Features:

- All pipe sizes
- Easy installation
- Positive stop - axially downward
- May be supported from below or above
- Overlapping galvanized sheet metal jacket
- Insulating structural inserts for load transfer
- Other I.D.'s and/or O.D.'s Available on Request
- Eliminates condensation sweating on chilled water risers

Performance test results on file:

Available upon request.

Material Data:

- E1000 - E1030: specification document: No. 206.

Steel Inner Thrust Plates:

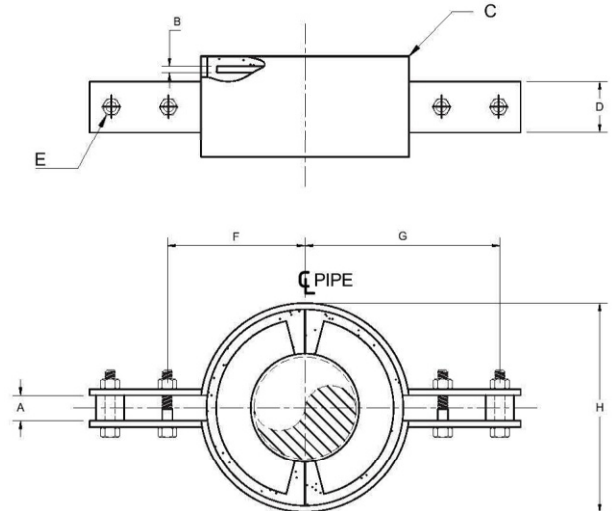
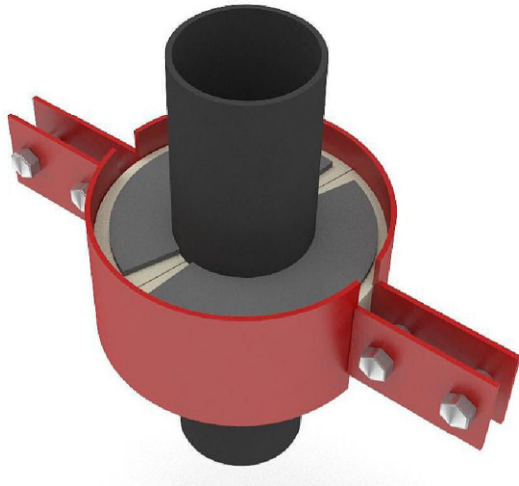
Model	ASTM	For Pipe Material
E1000	A36	Carbon-Steel
E1010	A387GR.22	Chrome-Moly
E1020	A515GR.70	Carbon Silicon
E1030	A304L	Stainless Steel

- Insulation: Calcium silicate asbestos-free, treated with water repellent.
- Jackets: Galvanized steel ASTM A-653.
- Glue: Industrial contact adhesive
- Structural Inserts: High-density calcium silicate asbestos free, treated with water repellent.
- Steel Straps/Base: Carbon steel ASTM A-36.
- Fasteners: ASTM A-307 plated.
- Coating: Primer coated or hot dipped galvanized
- Other coatings available upon request.

Formal submittal sheets available

Model E1100, Model E1110, Model E1120, Model E1130

Insulated Pipe Riser Clamps for Downward Loads



- a) If thrust plate thickness "B" is greater than pipe wall thickness, consult factory.
- b) One pair thrust plates supplied loose for field welding, top only.

Note: For higher load ratings, see: E1200.
Available in all insulation thickness.

Pipe Size	Vert Load lbs	A	B	C	D	E	Insul. Thk. = 1"			Insul. Thk. = 2"			Insul. Thk. = 3"			Insul. Thk. = 4"		
							F	G	H	F	G	H	F	G	H	F	G	H
2	500	0.63	0.38	0.38 x 3.00	1.50	0.625	3.94	6.19	5.38	5.00	7.25	7.50	6.00	8.25	9.50	7.06	9.31	11.63
2 1/2	600	0.63	0.38	0.38 x 3.00	1.50	0.625	4.19	6.44	5.88	5.50	7.75	8.50	6.50	8.75	10.50	7.56	9.81	12.63
3	800	0.63	0.38	0.38 x 3.00	1.50	0.625	4.47	6.72	6.44	5.50	7.75	8.50	6.50	8.75	10.50	7.56	9.81	12.63
4	1200	0.63	0.38	0.38 x 3.00	1.50	0.625	5.00	7.25	7.50	6.00	8.25	9.50	7.06	9.31	11.63	8.06	10.31	13.63
5	1600	0.63	0.38	0.38 x 4.00	2.00	0.625	5.50	7.75	8.50	6.50	8.75	10.50	7.56	9.81	12.63	8.69	10.94	14.88
6	2000	0.63	0.38	0.38 x 4.00	2.00	0.625	6.00	8.25	9.50	7.06	9.31	11.63	8.06	10.31	13.63	9.19	11.44	15.88
8	2600	0.63	0.50	0.50 x 4.00	2.00	0.625	7.31	9.81	11.88	8.31	10.81	13.88	9.44	11.94	16.13	10.44	12.94	18.13
10	3200	0.88	0.50	0.50 x 5.00	3.00	0.625	8.31	10.81	13.88	9.44	11.94	16.13	10.44	12.94	18.13	11.44	13.94	20.13
12	3400	0.88	0.50	0.50 x 5.00	3.00	0.625	9.44	11.94	16.13	10.44	12.94	18.13	11.44	13.94	20.13	12.44	14.94	22.13
14	4000	0.88	0.50	0.50 x 5.00	3.00	0.75	10.06	12.69	17.13	11.06	13.69	19.13	12.06	14.69	21.13	13.06	15.69	23.13
16	4600	0.88	0.50	0.50 x 6.00	4.00	0.75	11.06	13.69	19.13	12.06	14.69	21.13	13.06	15.69	23.13	14.06	16.69	25.13
18	5000	0.88	0.50	0.50 x 6.00	4.00	0.75	12.06	14.69	21.13	13.06	15.69	23.13	14.06	16.69	25.13	15.06	17.69	27.13
20	5400	0.88	0.50	0.50 x 6.00	4.00	0.75	13.06	15.69	23.13	14.06	16.69	25.13	15.06	17.69	27.13	16.06	18.69	29.13
24	5600	0.88	0.50	0.50 x 6.00	4.00	0.75	15.06	17.69	27.13	16.06	18.69	29.13	17.06	19.69	31.13	18.06	20.69	33.13

Application:

Model E1100 through E1130 is designed for use on:

- Hot water
- Cold water
- Chilled water
- Dual temperature
- Steam
- Air
- Gas
- Vacuum

Intended for installation on:

- Vertical runs of insulated pipe with downward load only.

Other:

- For handling both upward and downward loads, see E2100

Temperature Range:

Standard: +40°F to +1200°F CalSil Insulation

Note: Up to 1800°F available upon request.

Cryogenic: -275°F to +275°F Urethane Insulation.
Add U after the model number (i.e., E1100U)

Features:

- All pipe sizes
- Easy installation
- Positive stop - axially downward
- May be supported from below or above
- Overlapping galvanized sheet metal jacket
- Insulating structural inserts for load transfer
- Other I.D.'s and/or O.D.'s Available on Request
- Eliminates condensation sweating on chilled water risers

Performance test results on file:

Available upon request.

Material Data:

- **E1100 - E1130:** specification document: No. 206.

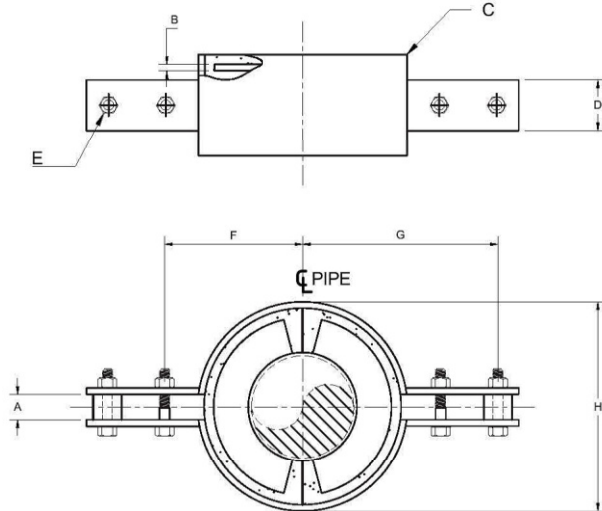
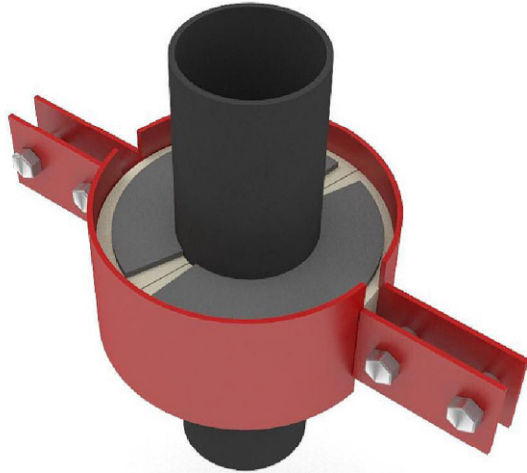
Steel Inner Thrust Plates:

Model	ASTM	For Pipe Material
E1100	A36	Carbon-Steel
E1110	A387GR.22	Chrome-Moly
E1120	A515GR.70	Carbon Silicon
E1130	A304L	Stainless Steel

- Insulation: Calcium silicate asbestos-free, treated with water repellent.
- Jackets: Galvanized steel ASTM A-653.
- Glue: Industrial contact adhesive
- Structural Inserts: High-density calcium silicate asbestos free, treated with water repellent.
- Steel Straps/Base: Carbon steel ASTM A-36.
- Fasteners: ASTM A-307 plated.
- Coating: Primer coated or hot dipped galvanized
- Other coatings available upon request.

Formal submittal sheets available

Model E1200, Model E1210, Model E1220, Model E1230 *Insulated Pipe Riser Clamps for Downward Loads*



a) If thrust plate thickness "B" is greater than pipe wall thickness, consult factory.

b) One pair thrust plates supplied loose for field welding, top only.

Note: For higher load ratings, see: E1300.
Available in all insulation thickness.

Pipe Size	Vert Load lbs	A	B	C	D	E	Insul. Thk. = 1"			Insul. Thk. = 2"			Insul. Thk. = 3"			Insul. Thk. = 4"		
							F	G	H	F	G	H	F	G	H	F	G	H
2	750	0.63	0.50	0.50 x 3.00	1.50	0.625	4.19	6.19	5.63	5.25	7.25	7.75	6.25	8.25	9.75	7.31	9.31	11.88
2 1/2	900	0.63	0.50	0.50 x 3.00	1.50	0.625	4.44	6.44	6.13	5.75	7.75	8.75	6.75	8.75	10.75	7.81	9.81	12.88
3	1200	0.63	0.50	0.50 x 3.00	1.50	0.625	4.72	6.72	6.69	5.75	7.75	8.75	6.75	8.75	10.75	7.81	9.81	12.88
4	1800	0.63	0.50	0.50 x 4.00	2.00	0.625	5.25	7.25	7.75	6.25	8.25	9.75	7.31	9.31	11.88	8.31	10.31	13.88
5	2400	0.63	0.50	0.50 x 4.00	2.00	0.625	5.75	7.75	8.75	6.75	8.75	10.75	7.81	9.81	12.88	8.94	10.94	15.13
6	3000	0.88	0.50	0.50 x 5.00	3.00	0.625	6.25	8.25	9.75	7.31	9.31	11.88	8.31	10.31	13.88	9.44	11.44	16.13
8	3900	0.88	0.50	0.50 x 5.00	3.00	0.625	7.31	9.31	11.88	8.31	10.31	13.88	9.44	11.44	16.13	10.44	12.44	18.13
10	4800	0.88	0.50	0.50 x 6.00	4.00	0.75	8.44	10.69	13.88	9.56	11.81	16.13	10.56	12.81	18.13	11.56	13.81	20.13
12	5100	1.13	0.50	0.50 x 6.00	4.00	0.75	9.56	11.81	16.13	10.56	12.81	18.13	11.56	13.81	20.13	12.56	14.81	22.13
14	6000	1.13	0.50	0.50 x 6.00	4.00	0.75	10.06	12.31	17.13	11.06	13.31	19.13	12.06	14.31	21.13	13.06	15.31	23.13
16	6900	1.13	0.50	0.50 x 7.00	5.00	0.88	11.19	13.44	19.13	12.19	14.44	21.13	13.19	15.44	23.13	14.19	16.44	25.13
18	7500	1.13	0.50	0.50 x 7.00	5.00	0.88	12.19	14.44	21.13	13.19	15.44	23.13	14.19	16.44	25.13	15.19	17.44	27.13
20	8100	1.13	0.50	0.50 x 7.00	5.00	0.88	13.19	15.44	23.13	14.19	16.44	25.13	15.19	17.44	27.13	16.19	18.44	29.13
24	8400	1.13	0.50	0.50 x 7.00	5.00	0.88	15.19	17.69	27.13	16.19	18.69	29.13	17.19	19.69	31.13	18.19	20.69	33.13

Application:

Model E1200 through E1230 is designed for use on:

- Hot water
- Cold water
- Chilled water
- Dual temperature
- Steam
- Air
- Gas
- Vacuum

Intended for installation on:

- Vertical runs of insulated pipe with downward load only.

Other:

- For handling both upward and downward loads, see E2200

Temperature Range:

Standard: +40°F to +1200°F CalSil Insulation

Note: Up to 1800°F available upon request.

Cryogenic: -275°F to +275°F Urethane Insulation.

Add U after the model number (i.e., E1200U)

Features:

- All pipe sizes
- Easy installation
- Positive stop - axially downward
- May be supported from below or above
- Overlapping galvanized sheet metal jacket
- Insulating structural inserts for load transfer
- Other I.D.'s and/or O.D.'s Available on Request
- Eliminates condensation sweating on chilled water risers

Performance test results on file:

Available upon request.

Material Data:

- E1200 - E1230: specification document: No. 206.

Steel Inner Thrust Plates:

Model	ASTM	For Pipe Material
E1200	A36	Carbon-Steel
E1210	A387GR.22	Chrome-Moly
E1220	A515GR.70	Carbon Silicon
E1230	A304L	Stainless Steel

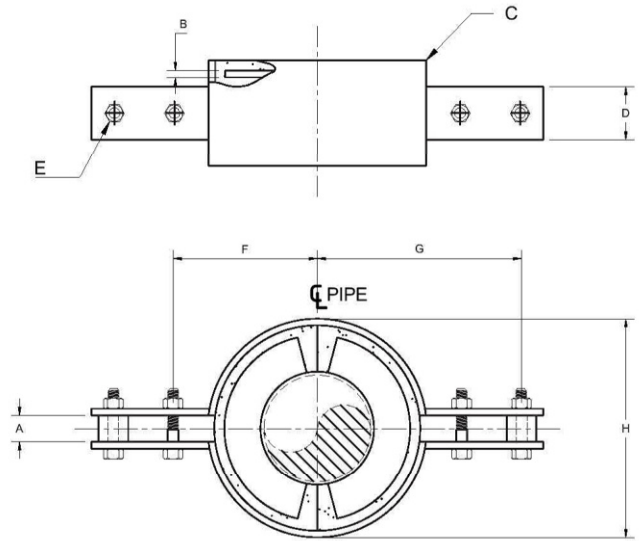
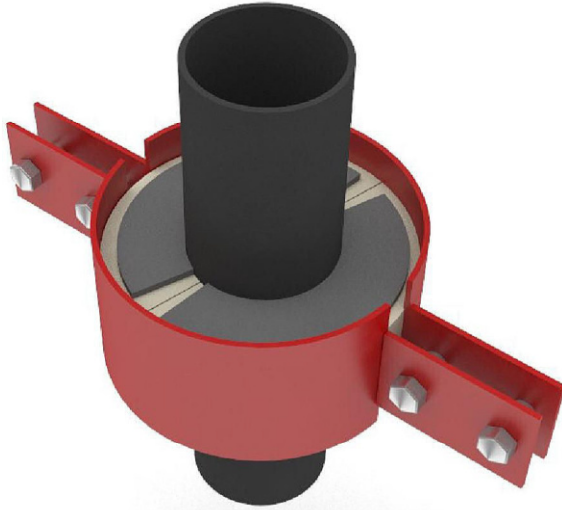
- Insulation: Calcium Silicate asbestos-free, treated with water repellent.
- Jackets: Galvanized Steel ASTM A-653.
- Glue: Industrial contact adhesive
- Structural Inserts: High-density calcium silicate asbestos free, treated with water repellent.
- Steel Straps/Base: Carbon Steel ASTM A-36.
- Fasteners: ASTM A-307 plated.
- Coating: Primer coated or hot dipped galvanized

Other coatings available upon request.

Formal Submittal Sheets available

Model E1300, Model E1310,
Model E1320, Model E1330

Insulated Pipe Riser Clamps for Downward Loads



a) If thrust plate thickness "B" is greater than pipe wall thickness, consult factory.

b) One pair thrust plates supplied loose for field welding, top only.

Note: For higher load ratings contact factory. Available in all insulation thickness.

Pipe Size	Vert Load lbs	A	B	C	D	E	Insul. Thk. = 1"			Insul. Thk. = 2"			Insul. Thk. = 3"			Insul. Thk. = 4"		
							F	G	H	F	G	H	F	G	H	F	G	H
							12	6800	1.13	0.50	0.50 x 7.00	5.00	0.875	9.69	11.94	16.13	10.69	12.94
14	8000	1.13	0.50	0.50 x 7.00	5.00	0.875	10.19	12.44	17.13	11.19	13.44	19.13	12.19	14.44	21.13	13.19	15.44	23.13
16	9200	1.13	0.63	0.63 x 7.00	5.00	1.00	11.44	13.69	19.38	12.44	14.69	21.38	13.44	15.69	23.38	14.44	16.69	25.38
18	10000	1.13	0.63	0.63 x 7.00	5.00	1.00	12.44	14.69	21.38	13.44	15.69	23.38	14.44	16.69	25.38	15.44	17.69	27.38
20	10800	1.13	0.63	0.63 x 7.00	5.00	1.00	13.44	15.69	23.38	14.44	16.69	25.38	15.44	17.69	27.38	16.44	18.69	29.38
24	11200	1.13	0.63	0.63 x 7.00	5.00	1.25	15.69	18.19	27.38	16.69	19.19	29.38	17.69	20.19	31.38	18.69	21.19	33.38

Application:

Model E1300 through E1330 is designed for use on:

- Hot water
- Cold water
- Chilled water
- Dual temperature
- Steam
- Air
- Gas
- Vacuum

Intended for installation on:

- Vertical runs of insulated pipe with downward load only.

Other:

- For handling both upward and downward loads, see E2300

Temperature Range:

Standard: +40°F to +1200°F CalSil Insulation

Note: Up to 1800°F available upon request.

Cryogenic: -275°F to +275°F Urethane Insulation.

Add U after the model number (i.e., E1300U)

Features:

- All pipe sizes
- Easy installation
- Positive stop - axially downward
- May be supported from below or above
- Overlapping galvanized sheet metal jacket
- Insulating structural inserts for load transfer
- Other I.D.'s and/or O.D.'s Available on Request
- Eliminates condensation sweating on chilled water risers

Performance test results on file:
Available upon request.

Material Data:

- **E1300 - E1330:** specification document: No. 206.

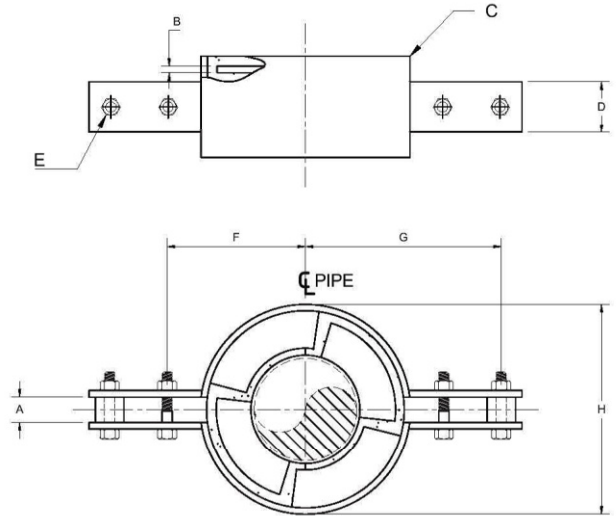
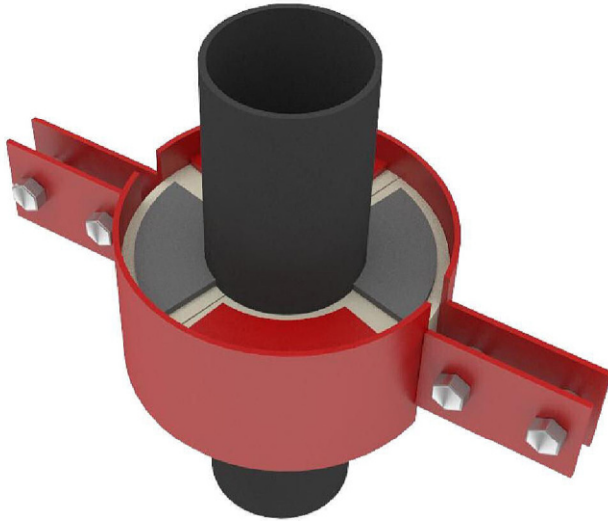
Steel Inner Thrust Plates:

Model	ASTM	For Pipe Material
E1300	A36	Carbon-Steel
E1310	A387GR.22	Chrome-Moly
E1320	A515GR.70	Carbon Silicon
E1330	A304L	Stainless Steel

- Insulation: Calcium silicate asbestos-free, treated with water repellent.
- Jackets: Galvanized steel ASTM A-653.
- Glue: Industrial contact adhesive
- Structural Inserts: High-density calcium silicate asbestos free, treated with water repellent.
- Steel Straps/Base: Carbon steel ASTM A-36.
- Fasteners: ASTM A-307 plated.
- Coating: Primer coated or hot dipped galvanized
- Other coatings available upon request.

Formal submittal sheets available

Model E2000, Model E2010, Model E2020, Model E2030 *Insulated Pipe Riser Clamps for Upward or Downward Loads*



- a) If thrust plate thickness "B" is greater than pipe wall thickness, consult factory.
- b) Two pair thrust plates supplied loose for field welding, top and bottom.

Note: For higher load ratings, see: E2100.
Available in all insulation thickness.

Pipe Size	Vert Load lbs	A	B	C	D	E	Insul. Thk. = 1"			Insul. Thk. = 2"			Insul. Thk. = 3"			Insul. Thk. = 4"		
							F	G	H	F	G	H	F	G	H	F	G	H
2	250	0.63	0.25	0.25 x 3.00	1.50	0.625	3.69	5.69	5.13	4.75	6.75	7.25	5.75	7.75	9.25	6.81	8.81	11.38
2 1/2	300	0.63	0.25	0.25 x 3.00	1.50	0.625	3.94	5.94	5.63	5.25	7.25	8.25	6.25	8.25	10.25	7.31	9.31	12.38
3	400	0.63	0.25	0.25 x 3.00	1.50	0.625	4.22	6.22	6.19	5.25	7.25	8.25	6.25	8.25	10.25	7.31	9.31	12.38
4	600	0.63	0.25	0.25 x 3.00	1.50	0.625	4.75	6.75	7.25	5.75	7.75	9.25	6.81	8.81	11.38	7.81	9.81	13.38
5	800	0.63	0.25	0.25 x 3.00	1.50	0.625	5.25	7.25	8.25	6.25	8.25	10.25	7.31	9.31	12.38	8.44	10.44	14.63
6	1000	0.63	0.25	0.25 x 4.00	2.00	0.625	5.75	7.75	9.25	6.81	8.81	11.38	7.81	9.81	13.38	8.94	10.94	15.63
8	1300	0.63	0.25	0.25 x 4.00	2.00	0.625	6.81	8.81	11.38	7.81	9.81	13.38	8.94	10.94	15.63	9.94	11.94	17.63
10	1600	0.63	0.38	0.38 x 5.00	3.00	0.625	8.06	10.31	13.63	9.19	11.44	15.88	10.19	12.44	17.88	11.19	13.44	19.88
12	1700	0.63	0.38	0.38 x 5.00	3.00	0.625	9.19	11.44	15.88	10.19	12.44	17.88	11.19	13.44	19.88	12.19	14.44	21.88
14	2000	0.88	0.38	0.38 x 5.00	3.00	0.625	9.69	11.94	16.88	10.69	12.94	18.88	11.69	13.94	20.88	12.69	14.94	22.88
16	2300	0.88	0.38	0.38 x 5.00	3.00	0.625	10.69	12.94	18.88	11.69	13.94	20.88	12.69	14.94	22.88	13.69	15.94	24.88
18	2500	0.88	0.38	0.38 x 5.00	3.00	0.625	11.69	13.94	20.88	12.69	14.94	22.88	13.69	15.94	24.88	14.69	16.94	26.88
20	2700	0.88	0.38	0.38 x 5.00	3.00	0.625	12.69	14.94	22.88	13.69	15.94	24.88	14.69	16.94	26.88	15.69	17.94	28.88
24	2800	0.88	0.38	0.38 x 5.00	3.00	0.625	14.69	17.19	26.88	15.69	18.19	28.88	16.69	19.19	30.88	17.69	20.19	32.88

Application:
Model E2000 through E2030 is designed for use on:

- Hot water
- Cold water
- Chilled water
- Dual temperature
- Steam
- Air
- Gas
- Vacuum

Intended for installation on:

- Vertical runs of insulated pipe with upward and/or downward load.

Other:

- For handling downward loads only, see E1000

Temperature Range:
Standard: +40°F to +1200°F CalSil Insulation
Note: Up to 1800°F available upon request.
Cryogenic: -275°F to +275°F Urethane Insulation.
Add U after the model number (i.e., E2000U)

Features:

- All pipe sizes
- Easy installation
- Positive stop - axially upward or downward
- May be supported from below or above
- Overlapping galvanized sheet metal jacket
- Insulating structural inserts for load transfer
- Other I.D.'s and/or O.D.'s Available on Request
- Eliminates condensation sweating on chilled water risers

Performance test results on file:
Available upon request.

Material Data:

- **E2000 - E2030:** specification document: No. 206.
- **Steel Inner Thrust Plates:**

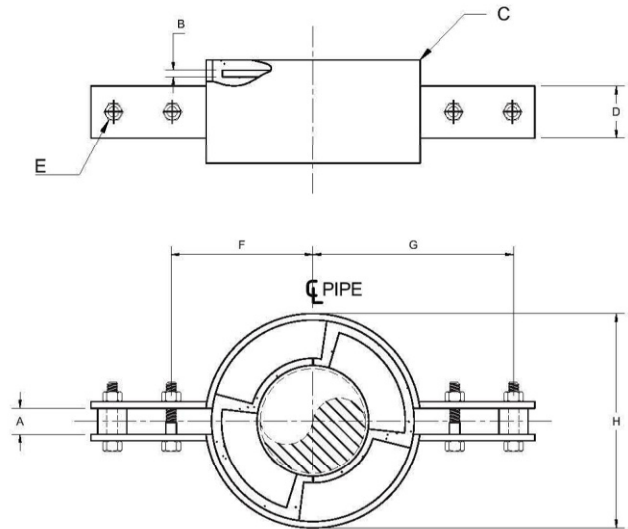
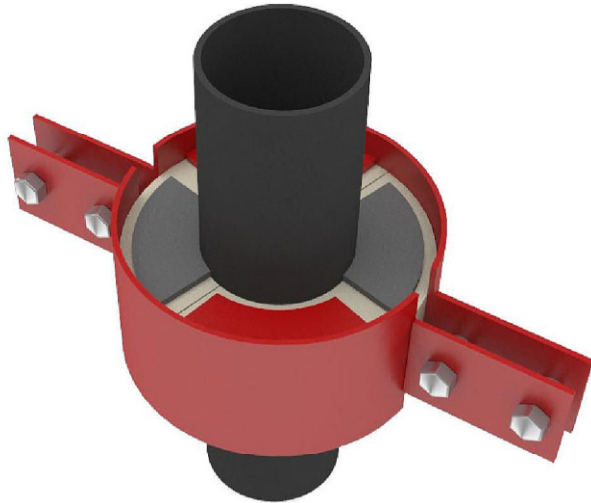
Model	ASTM	For Pipe Material
E2000	A36	Carbon-Steel
E2010	A387GR.22	Chrome-Moly
E2020	A515GR.70	Carbon Silicon
E2030	A304L	Stainless Steel

- Insulation: Calcium silicate asbestos-free, treated with water repellent.
- Jackets: Galvanized steel ASTM A-653.
- Glue: Industrial contact adhesive
- Structural Inserts: High-density calcium silicate asbestos free, treated with water repellent.
- Steel Straps/Base: Carbon steel ASTM A-36.
- Fasteners: ASTM A-307 plated.
- Coating: Primer coated or hot dipped galvanized
- Other coatings available upon request.

Formal Submittal Sheets available

Model E2100, Model E2110,
Model E2120, Model E2130

Insulated Pipe Riser Clamps for Upward or Downward Loads



- a) If thrust plate thickness "B" is greater than pipe wall thickness, consult factory.
- b) Two pairs thrust plates supplied loose for field welding, top and bottom.

Note: For higher load ratings, see: E2200.
Available in all insulation thickness.

Pipe Size	Vert Load lbs	A	B	C	D	E	Insul. Thk. = 1"			Insul. Thk. = 2"			Insul. Thk. = 3"			Insul. Thk. = 4"		
							F	G	H	F	G	H	F	G	H	F	G	H
2	500	0.63	0.38	0.38 x 3.00	1.50	0.625	3.94	6.19	5.38	5.00	7.25	7.5	6.00	8.25	9.5	7.06	9.31	11.63
2 1/2	600	0.63	0.38	0.38 x 3.00	1.50	0.625	4.19	6.44	5.88	5.50	7.75	8.5	6.50	8.75	10.5	7.56	9.81	12.63
3	800	0.63	0.38	0.38 x 3.00	1.50	0.625	4.47	6.72	6.44	5.50	7.75	8.5	6.50	8.75	10.5	7.56	9.81	12.63
4	1200	0.63	0.38	0.38 x 3.00	1.50	0.625	5.00	7.25	7.5	6.00	8.25	9.5	7.06	9.31	11.63	8.06	10.31	13.63
5	1600	0.63	0.38	0.38 x 4.00	2.00	0.625	5.50	7.75	8.5	6.50	8.75	10.5	7.56	9.81	12.63	8.69	10.94	14.88
6	2000	0.63	0.38	0.38 x 4.00	2.00	0.625	6.00	8.25	9.5	7.06	9.31	11.63	8.06	10.31	13.63	9.19	11.44	15.88
8	2600	0.63	0.50	0.50 x 4.00	2.00	0.625	7.31	9.81	11.88	8.31	10.81	13.88	9.44	11.94	16.13	10.44	12.94	18.13
10	3200	0.88	0.50	0.50 x 5.00	3.00	0.625	8.31	10.81	13.88	9.44	11.94	16.13	10.44	12.94	18.13	11.44	13.94	20.13
12	3400	0.88	0.50	0.50 x 5.00	3.00	0.625	9.44	11.94	16.13	10.44	12.94	18.13	11.44	13.94	20.13	12.44	14.94	22.13
14	4000	0.88	0.50	0.50 x 5.00	3.00	0.75	10.06	12.69	17.13	11.06	13.69	19.13	12.06	14.69	21.13	13.06	15.69	23.13
16	4600	0.88	0.50	0.50 x 6.00	4.00	0.75	11.06	13.69	19.13	12.06	14.69	21.13	13.06	15.69	23.13	14.06	16.69	25.13
18	5000	0.88	0.50	0.50 x 6.00	4.00	0.75	12.06	14.69	21.13	13.06	15.69	23.13	14.06	16.69	25.13	15.06	17.69	27.13
20	5400	0.88	0.50	0.50 x 6.00	4.00	0.75	13.06	15.69	23.13	14.06	16.69	25.13	15.06	17.69	27.13	16.06	18.69	29.13
24	5600	0.88	0.50	0.50 x 6.00	4.00	0.75	15.06	17.69	27.13	16.06	18.69	29.13	17.06	19.69	31.13	18.06	20.69	33.13

Application:

Model E2100 through E2130 is designed for use on:

- Hot water
- Cold water
- Chilled water
- Dual temperature
- Steam
- Air
- Gas
- Vacuum

Intended for installation on:

- Vertical runs of insulated pipe with upward and/or downward load.

Other:

- For handling downward loads only, see E1200

Temperature Range:

Standard: +40°F to +1200°F CalSil Insulation

Note: Up to 1800°F available upon request.

Cryogenic: -275°F to +275°F Urethane Insulation.

Add U after the model number (i.e., E2100U)

Features:

- All pipe sizes
- Easy Installation
- Positive stop - axially upward or downward
- May be supported from below or above
- Overlapping galvanized sheet metal jacket
- Insulating structural inserts for load transfer
- Other I.D.'s and/or O.D.'s Available on Request
- Eliminates condensation sweating on chilled water risers

Performance Test Results on File:

Available upon request.

Material Data:

- **E2100 - E2130:** specification document: No. 206.

Steel Inner Thrust Plates:

Model	ASTM	For Pipe Material
E2100	A36	Carbon-Steel
E2110	A387GR.22	Chrome-Moly
E2120	A515GR.70	Carbon Silicon
E2130	A304L	Stainless Steel

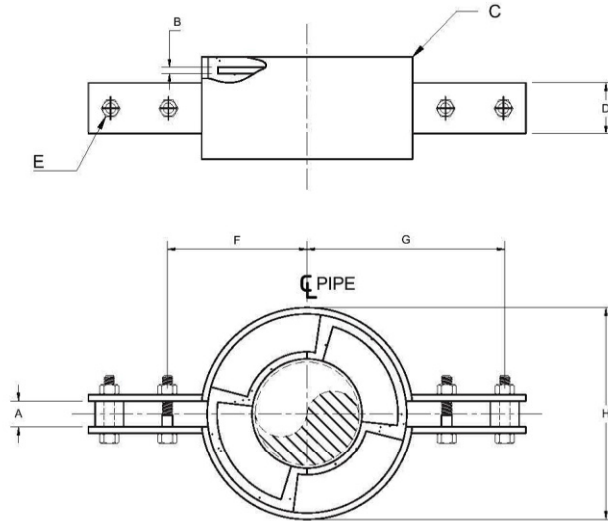
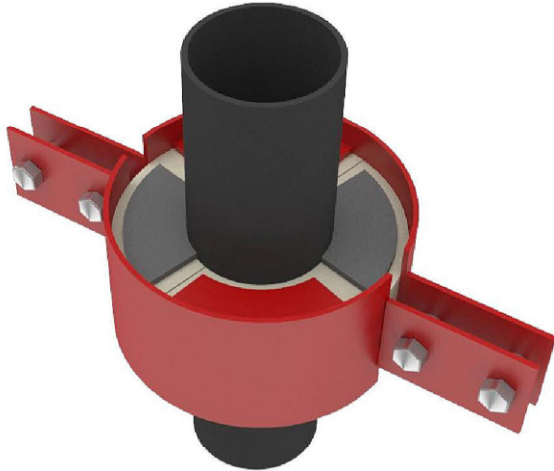
- Insulation: Calcium silicate asbestos-free, treated with water repellent.
- Jackets: Galvanized steel ASTM A-653.
- Glue: Industrial contact adhesive
- Structural Inserts: High-density calcium silicate asbestos free, treated with water repellent.
- Steel Straps/Base: Carbon steel ASTM A-36.
- Fasteners: ASTM A-307 plated.
- Coating: Primer coated or hot dipped galvanized

Other coatings available upon request.

Formal submittal sheets available

Model E2200, Model E2210, Model E2220, Model E2230

Insulated Pipe Riser Clamps for Upward or Downward Loads



- a) If thrust plate thickness "B" is greater than pipe wall thickness, consult factory.
- b) Two pairs thrust plates supplied loose for field welding, top and bottom.

Note: For higher load ratings, see: E2200.
Available in all insulation thickness.

Pipe Size	Vert Load lbs	A	B	C	D	E	Insul. Thk. = 1"			Insul. Thk. = 2"			Insul. Thk. = 3"			Insul. Thk. = 4"		
							F	G	H	F	G	H	F	G	H	F	G	H
							2	750	0.63	0.38	0.38 x 3.00	1.50	0.625	3.94	6.19	5.38	5.00	7.25
2 1/2	900	0.63	0.38	0.38 x 3.00	1.50	0.625	4.19	6.44	5.88	5.50	7.75	8.5	6.50	8.75	10.5	7.56	9.81	12.63
3	1200	0.63	0.38	0.38 x 3.00	1.50	0.625	4.47	6.72	6.44	5.50	7.75	8.5	6.50	8.75	10.5	7.56	9.81	12.63
4	1800	0.63	0.38	0.38 x 3.00	1.50	0.625	5.00	7.25	7.5	6.00	8.25	9.5	7.06	9.31	11.63	8.06	10.31	13.63
5	2400	0.63	0.38	0.38 x 4.00	2.00	0.625	5.50	7.75	8.5	6.50	8.75	10.5	7.56	9.81	12.63	8.69	10.94	14.88
6	3000	0.63	0.38	0.38 x 4.00	2.00	0.625	6.00	8.25	9.5	7.06	9.31	11.63	8.06	10.31	13.63	9.19	11.44	15.88
8	3900	0.63	0.50	0.50 x 4.00	2.00	0.625	7.31	9.81	11.88	8.31	10.81	13.88	9.44	11.94	16.13	10.44	12.94	18.13
10	4800	0.88	0.50	0.50 x 5.00	3.00	0.625	8.31	10.81	13.88	9.44	11.94	16.13	10.44	12.94	18.13	11.44	13.94	20.13
12	5100	0.88	0.50	0.50 x 5.00	3.00	0.625	9.44	11.94	16.13	10.44	12.94	18.13	11.44	13.94	20.13	12.44	14.94	22.13
14	6000	0.88	0.50	0.50 x 5.00	3.00	0.75	10.06	12.69	17.13	11.06	13.69	19.13	12.06	14.69	21.13	13.06	15.69	23.13
16	6900	0.88	0.50	0.50 x 6.00	4.00	0.75	11.06	13.69	19.13	12.06	14.69	21.13	13.06	15.69	23.13	14.06	16.69	25.13
18	7500	0.88	0.50	0.50 x 6.00	4.00	0.75	12.06	14.69	21.13	13.06	15.69	23.13	14.06	16.69	25.13	15.06	17.69	27.13
20	8100	0.88	0.50	0.50 x 6.00	4.00	0.75	13.06	15.69	23.13	14.06	16.69	25.13	15.06	17.69	27.13	16.06	18.69	29.13
24	8400	0.88	0.50	0.50 x 6.00	4.00	0.75	15.06	17.69	27.13	16.06	18.69	29.13	17.06	19.69	31.13	18.06	20.69	33.13

Application:

Model E2200 through E2230 is designed for use on:

- Hot water
- Cold water
- Chilled water
- Dual temperature
- Steam
- Air
- Gas
- Vacuum

Intended for installation on:

- Vertical runs of insulated pipe with upward and/or downward load.

Other:

- For handling downward loads only, see E1200

Temperature Range:

Standard: +40°F to +1200°F CalSil Insulation

Note: Up to 1800°F available upon request.

Cryogenic: -275°F to +275°F Urethane Insulation.

Add U after the model number (i.e., E2200U)

Features:

- All pipe sizes
- Easy installation
- Positive stop - axially upward or downward
- May be supported from below or above
- Overlapping galvanized sheet metal jacket
- Insulating structural inserts for load transfer
- Other I.D.'s and/or O.D.'s Available on Request
- Eliminates condensation sweating on chilled water risers

Performance Test Results on File:

Available upon request.

Material Data:

- E2200 - E2230: specification document: No. 209.

Steel Inner Thrust Plates:

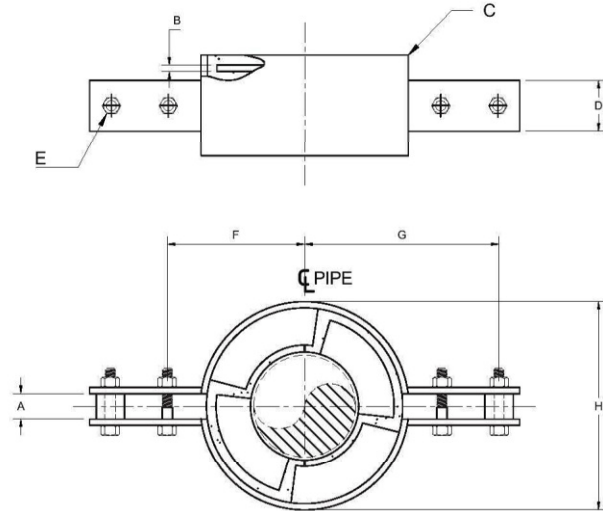
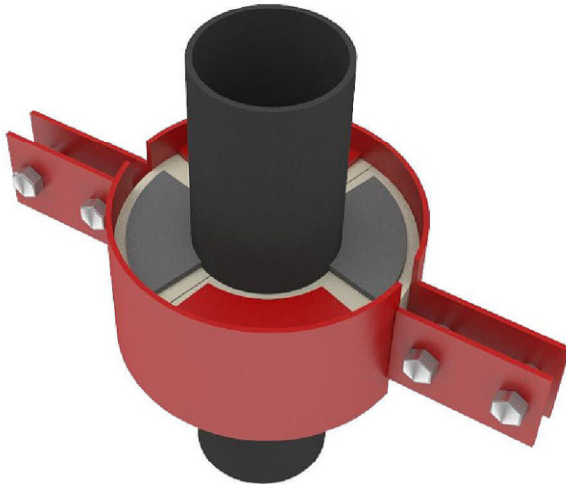
Model	ASTM	For Pipe Material
E2200	A36	Carbon-Steel
E2210	A387GR.22	Chrome-Moly
E2220	A515GR.70	Carbon Silicon
E2230	A304L	Stainless Steel

- Insulation: Calcium silicate asbestos-free, treated with water repellent.
- Jackets: Galvanized steel ASTM A-653.
- Glue: Industrial contact adhesive
- Structural Inserts: High-density calcium silicate asbestos free, treated with water repellent.
- Steel Straps/Base: Carbon steel ASTM A-36.
- Fasteners: ASTM A-307 plated.
- Coating: Primer coated or hot dipped galvanized
- Other coatings available upon request.

Formal submittal sheets available

Model E2300, Model E2310,
Model E2320, Model E2330

Insulated Pipe Riser Clamps for Upward or Downward Loads



- a. If thrust plate thickness "B" is greater than pipe wall thickness, consult factory.
- b. Two pairs thrust plates supplied loose for field welding, top and bottom.

Note: For higher load ratings contact factory. Available in all insulation thickness.

Pipe Size	Vert Load lbs	A	B	C	D	E	Insul. Thk. = 1"			Insul. Thk. = 2"			Insul. Thk. = 3"			Insul. Thk. = 4"		
							F	G	H	F	G	H	F	G	H	F	G	H
							12	6800	1.13	0.50	0.50 x 7.00	5.00	0.875	9.69	11.94	16.13	10.69	12.94
14	8000	1.13	0.50	0.50 x 7.00	5.00	0.875	10.19	12.44	17.13	11.19	13.44	19.13	12.19	14.44	21.13	13.19	15.44	23.13
16	9200	1.13	0.63	0.63 x 7.00	5.00	1.00	11.44	13.69	19.38	12.44	14.69	21.38	13.44	15.69	23.38	14.44	16.69	25.38
18	10000	1.13	0.63	0.63 x 7.00	5.00	1.00	12.44	14.69	21.38	13.44	15.69	23.38	14.44	16.69	25.38	15.44	17.69	27.38
20	10800	1.13	0.63	0.63 x 7.00	5.00	1.00	13.44	15.69	23.38	14.44	16.69	25.38	15.44	17.69	27.38	16.44	18.69	29.38
24	11200	1.13	0.63	0.63 x 7.00	5.00	1.25	15.69	18.19	27.38	16.69	19.19	29.38	17.69	20.19	31.38	18.69	21.19	33.38

Application:

Model E2300 through E2330 is designed for use on:

- Hot water
- Cold water
- Chilled water
- Dual temperature
- Steam
- Air
- Gas
- Vacuum

Intended for installation on:

- Vertical runs of insulated pipe with upward and/or downward load.

Other:

- For handling downward loads only, see E1300

Temperature Range:

Standard: +40°F to +1200°F CalSil Insulation

Note: Up to 1800°F available upon request.

Cryogenic: -275°F to +275°F Urethane Insulation.

Add U after the model number (i.e., E2300U).

Features:

- All pipe sizes
- Easy installation
- Positive stop - axially upward or downward
- May be supported from below or above
- Overlapping galvanized sheet metal jacket
- Insulating structural inserts for load transfer
- Other I.D.'s and/or O.D.'s Available on Request
- Eliminates condensation sweating on chilled water risers

Performance test results on file:

Available upon request.

Material Data:

- **E2300 - E2330:** specification document: No. 209.

Steel Inner Thrust Plates:

Model	ASTM	For Pipe Material
E2300	A36	Carbon-Steel
E2310	A387GR.22	Chrome-Moly
E2320	A515GR.70	Carbon Silicon
E2330	A304L	Stainless Steel

- Insulation: Calcium silicate asbestos-free, treated with water repellant.
- Jackets: Galvanized steel ASTM A-653.
- Glue: Industrial contact adhesive
- Structural Inserts: High-density calcium silicate asbestos free, treated with water repellant.
- Steel Straps/Base: Carbon steel ASTM A-36.
- Fasteners: ASTM A-307 plated.
- Coating: Primer coated or hot dipped galvanized.

Other coatings available upon request.

Formal submittal sheets available

INTRODUCTION

SECTION "G"

PIPE CLAMPS, PIPE GUIDE STRAPS, PIPE GUIDE U-BOLTS

APPLICATION – For installation on standard 1-5/8" width framing channel.

The models listed in the Section Index are selected based upon the following considerations:

FOR USE WITH

Bare Pipe
Bare Copper Tubing
Insulated Pipe Support

PURPOSE

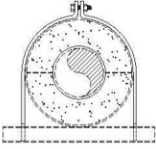
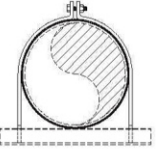
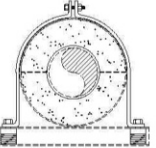
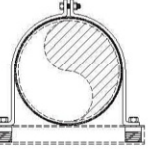
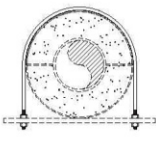
Clamp
Guide

DUTY

Light
Heavy

Please acquaint yourself with the selection guide at the front of this catalog and the section index on the page following this introduction, for assistance in determining the most appropriate support for your application.

PIPE CLAMPS, PIPE GUIDE STRAPS, PIPE GUIDE U-BOLTS

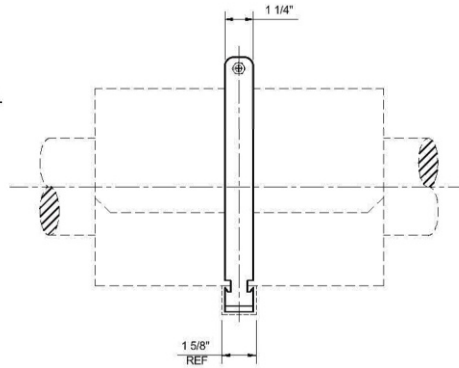
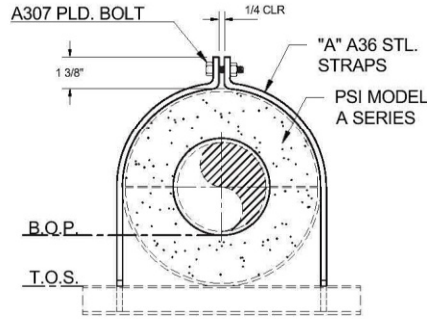
MODEL	FOR USE ON			PURPOSE		DUTY
	BARE PIPE	BARE COPPER TUBING	INSULATED PIPE SUPPORT	CLAMP	GUIDE	
 G1000	X		X	X		LIGHT
 G1200	X	X		X		LIGHT
 G2000	X			X		HEAVY
			X		X	
 G2200	X	X		X		HEAVY
 G3000	X		X		X	LIGHT

TO ORDER, specify:

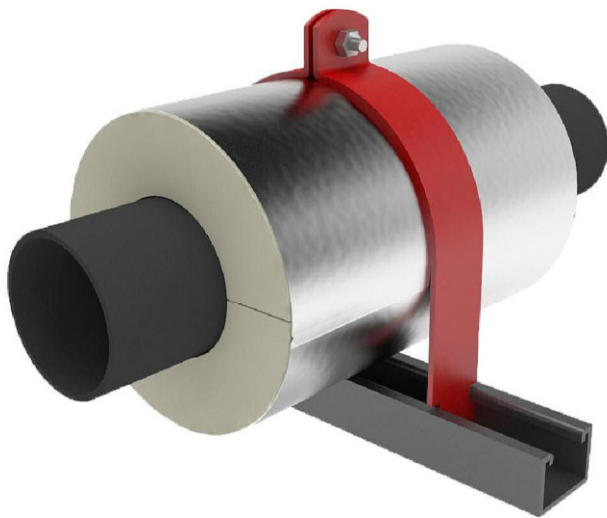
1. Quantity 20
2. Pipe Size & Type 2" IPS
3. Insulation Thickness 2-1/2"
4. Model Number G1000
5. For use on (bare pipe or insulated pipe support model) A1000

EXAMPLE: (20) 2 x 2-1/2 G1000 (For use on A1000)

Model G1000 Pipe Shield Clamp



*PSI A-Series Model purchased separately



Pipe Size	Maximum Lateral Load - Lbs
3/4	50
1	50
1-1/4	50
1-1/2	50
2	50
2-1/2	50
3	50
3-1/2	50
4	50
5	50
6	50
8	50
10	50
12	50

TABLE I

Insulation Thicknesses
0
1/2
3/4
1
1-1/2
2
2-1/2
3
3-1/2
4

TABLE II

Contact factory for pipe sizes or insulation thicknesses not shown.

Note: For neoprene lined clamps, see: G1200; For bolt-on clamps, see: G2000; For U-bolts, see: G3000.

Insulation and Framing Channel sold separately.

Application:

Model G1000 is designed for use on:

- Hot Water
- Steam
- Cold Water
- Air
- Chilled Water
- Gas
- Dual Temperature
- Vacuum

Intended for installation on:

- Standard 1-5/8" width framing channels

Features:

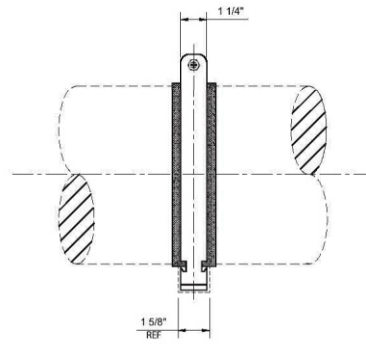
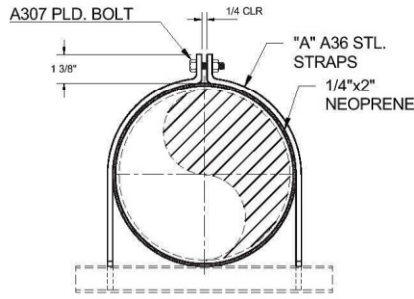
- Easy installation
- Rugged
- Fits standard 1-5/8" width framing channel
- Sized to clamp on O.D. of bare pipe
- Sized to clamp on O.D. of insulated pipe support models A1000 through A7400
- Complete with top bolt and nut
- Other sizes available on request

Material Data:

- **G1000:** Applicable PSI specification document: No. 208.
 - **Steel A:** Galvanized steel 11 ga. X 1-1/4 wide ASTM A-653
 - **Fasteners:** ASTM A-307 Plated.
- Formal submittal sheets available**

Model G1200 Pipe Clamp Tubing Clamp

Neoprene
Sleeved



Pipe Size	Maximum Lateral Load - Lbs.
3/4	50
1	50
1-1/4	50
1-1/2	50
2	50
2-1/2	50
3	50
3-1/2	50
4	50
5	50
6	50
8	50
10	50
12	50

TABLE I

Copper Tubing O.D.	Maximum Lateral Load - Lbs.
1-1/8	50
1-3/8	50
1-5/8	50
2-1/8	50
2-5/8	50
3-1/8	50
3-5/8	50
4-1/8	50

TABLE II

Contact factory for pipe sizes not shown.

Note: For neoprene lined clamps, see: G1000; For bolt-on clamps, see: G2200; For U-bolts, see: G3000

Framing Channel sold separately.

Application:

Model G1200 is designed for use on:

- Hot water
- Cold water
- Chilled water
- Dual temperature
- Air
- Gas
- Vacuum

Intended for installation on:

- Standard 1-5/8" width Framing Channels

Features:

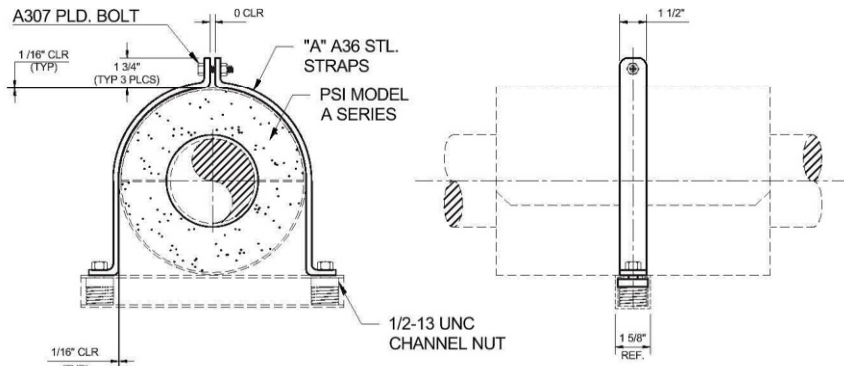
- Easy installation
- Rugged
- Fits standard 1-5/8" width framing channel
- Sized to clamp on O.D. of bare pipe or bare copper tubing
- Vibration isolator
- Complete with top bolt and nut
- Other sizes available on request
- Neoprene sleeve eliminates galvanic action between clamp, framing channel and copper tubing.

Material Data:

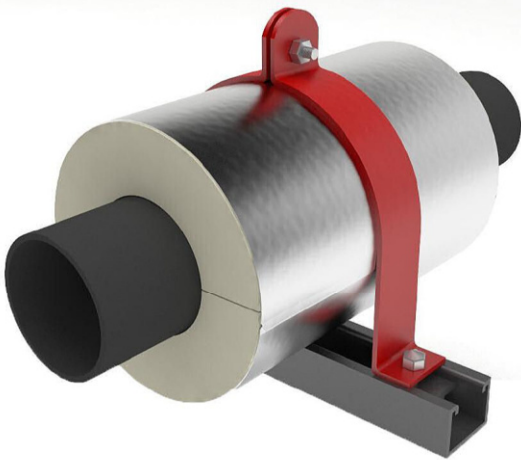
- **G1200:** Applicable PSI specification document: No. 208.
- **Steel A:** Galvanized Steel 11 ga. X 1-1/4 wide ASTM-A653
- **Fasteners:** ASTM-A307 Plated.
- **Sleeve:** 1/4" thick X 2" wide closed cell neoprene..

Formal submittal sheets available

Model G2000 Pipe Clamp Shield Guide Strap



*PSI A-Series Model purchased separately



Pipe Size	Maximum Lateral Load - Lbs.
3/4	200
1	200
1-1/4	200
1-1/2	200
2	400
2-1/2	400
3	400
3-1/2	400
4	400
5	400
6	400
8	400
10	400
12	400

TABLE I

Insulation Thicknesses
0
1/2
3/4
1
1-1/2
2
2-1/2
3
3-1/2
4

TABLE II

Contact factory for pipe sizes or insulation thicknesses not shown.

Note: For neoprene lined straps, see: G2200; For pipe/shield clamps, see: G1000; For U-bolts, see: G3000.

Insulation and Framing Channel sold separately.

Application:

Model G2000 is designed for use on:

- Hot Water
- Cold Water
- Chilled Water
- Dual Temperature
- Steam
- Air
- Gas
- Vacuum

Intended for installation on:

- Standard 1-5/8" width Framing Channels

Features:

- Easy installation
- Rugged
- Bolts to standard 1-5/8" width framing channel
- Sized to clamp on O.D. of bare pipe
- Sized to provide approximately 1/16" radial clearance around O.D. of insulated pipe support models A1000 through A7400
- Complete with top bolt and nut plus two (2) tie down bolts and channel nuts with springs
- Other sizes available on request

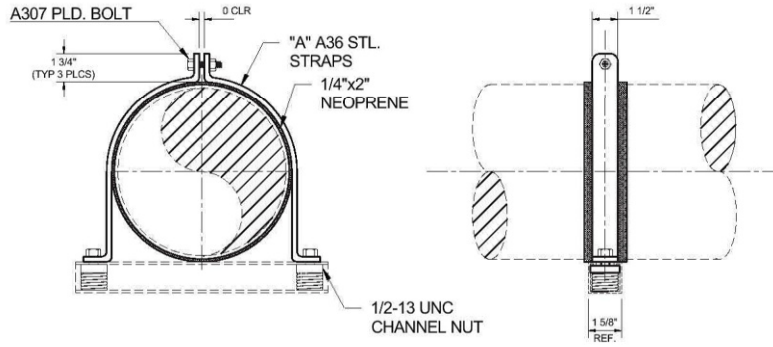
Material Data:

- **G2000:** Applicable PSI specification document: No. 208.
- **Steel A:** ASTM A-36 1/4 X 1-1/2
- **Fasteners:** ASTM A-307 Plated.
- **Coating:** Primer coating or hot dipped galvanized. Other coatings available upon request.

Formal submittal sheets available

Model G2200 Pipe Clamp Tubing Clamp

Neoprene
Sleeved



Pipe Size	Maximum Lateral Load - Lbs
3/4	200
1	200
1-1/4	200
1-1/2	200
2	400
2-1/2	400
3	400
3-1/2	400
4	400
5	400
6	400
8	400
10	400
12	400

TABLE I

Copper Tubing O.D.	Maximum Lateral Load - Lbs
1-1/8	200
1-3/8	200
1-5/8	200
2-1/8	400
2-5/8	400
3-1/8	400
3-5/8	400
4-1/8	400

TABLE II

Contact factory for pipe sizes not shown.

Note: For neoprene lined clamps, see: G2000; For bolt-on clamps, see: G2200; For U-bolts, see: G3000.

Framing Channel sold separately.

Application:

Model G2200 is designed for use on:

- Hot water
- Air
- Cold water
- Gas
- Chilled water
- Vacuum
- Dual temperature

Intended for installation on:

- Standard 1-5/8" width Framing Channels

Features:

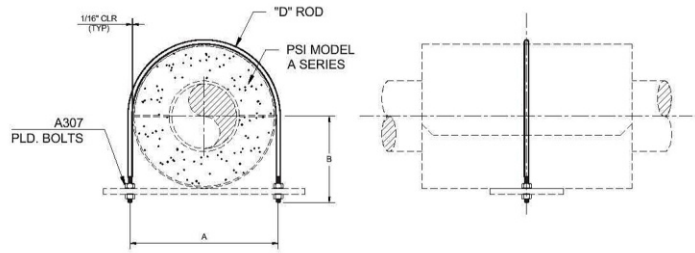
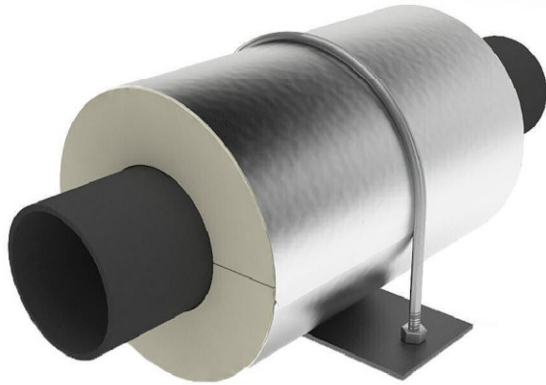
- Easy installation
- Rugged
- Bolts to standard 1-5/8" width framing channel
- Sized to clamp on O.D. of bare pipe or bare copper tubing.
- Vibration isolator
- Complete with top bolt and nut plus two (2) tie down bolts and channel nuts with springs.
- Other sizes available on request
- Neoprene sleeve eliminates galvanic action between clamp, framing and copper tubing.

Material Data:

- **G2200:** Applicable PSI specification document: No. 208.
- **Steel A:** ASTM A-36 1/4 X 1-1/2
- **Fasteners:** ASTM A-307 Plated.
- **Sleeve:** 1/4" thick X 2" wide closed cell neoprene.
- **Coating:** Primer coated or hot dipped galvanized. Other coatings available upon request.

Formal submittal sheets available

Model G3000 Pipe Guide U-Bolt Shield Guide U-Bolt



*PSI A-Series Model purchased separately

Insulation and plate sold separately.

Contact factory for pipe, tube sizes, or insulation thicknesses not shown.

Note: For pipe clamps, see: G1000, G1200, G2000, G2200; For shield clamps, see: G1000; For shield guide straps, see: G2000.

Pipe Size	Maximum Lateral Load-Lbs	D-Rod Thread	Insulation Thickness																	
			BARE		1/2		3/4		1		1-1/2		2		2-1/2		3		4	
			A	B	A	B	A	B	A	B	A	B	A	B	A	B	A	B		
1/2	50	1/4-20	1.25	2.75	2.5	3.38	2.88	3.63	3.38	3.88	4.5	4.38	5.5	4.88	7.13	5.88	8.13	6.25	10.13	7.25
3/4	50	1/4-20	1.5	3	2.5	3.38	2.88	3.63	3.38	3.88	4.5	4.38	5.5	4.88	7.13	5.88	8.13	6.25	10.13	7.25
1	50	1/4-20	1.75	3	2.88	3.63	3.38	3.88	4	4.25	5	4.63	6.25	5.25	7.13	5.88	8.13	6.25	10.13	7.25
1-1/4	50	3/8-16	2.25	3.5	3.38	4.13	3.38	4.13	4.13	4.38	5.63	5.13	6.25	5.5	7.25	6	8.25	6.50	10.25	7.50
1-1/2	50	3/8-16	2.5	3.63	3.5	4.13	4.13	4.38	4.63	4.63	5.63	5.13	7.25	6	8.25	6.5	9.25	7.00	11.25	8.00
2	50	3/8-16	2.88	3.88	4.13	4.38	4.63	4.63	5.13	4.88	6.25	5.5	7.25	6	8.25	6.5	9.25	7.00	11.25	8.00
2-1/2	50	1/2-13	3.5	4.38	4.88	4.88	5.38	5.13	5.88	5.38	7.5	6.25	8.5	6.75	9.5	7.25	10.50	7.75	12.50	8.75
3	50	1/2-13	4.13	4.63	5.38	5.13	5.88	5.38	6.38	5.63	7.5	6.25	8.5	6.75	9.5	7.25	10.50	7.75	12.50	8.75
3-1/2	50	1/2-13	4.63	4.88	5.88	5.38	6.38	5.75	7.5	6.25	8.5	6.75	9.5	8.63	10.5	7.75	11.50	8.25	13.50	9.25
4	50	1/2-13	5.13	5.13	6.38	5.75	7.5	6.25	7.5	6.25	8.5	6.75	9.5	8.63	10.5	7.75	11.50	8.25	13.50	9.25

TABLE I

Application:

Model G3000 is designed for use on:

- Hot water
- Cold water
- Chilled water
- Dual temperature
- Steam
- Air
- Gas
- Vacuum

Features:

- Easy installation
- Sized to provide approximately 1/16" to 1/8" radial clearance around O.D. of bare pipe or insulated pipe support models A1000 through A7000
- Complete with 4 hex nuts and 4 plain washers
- Other sizes available on request

Material Data:

- **G3000:** Applicable PSI specification document: No.208
- **Steel:** Low carbon threaded rod.
- **Hex Nuts:** ASTM-A-563 Gr. A.
- **Coating:** Primer coating or hot dipped galvanized. Other coatings available upon request.

Formal submittal sheets available



1. Insulated pipe support with temperature range of 40°F to 1200°F.
2. Cryogenic shoes.
3. Finished with hot dipped galvanized.
4. Pre-insulated pipe supports coated with red oxide paint.



1. Cryogenic shoes.

2. Pre-insulated pipe support with hot dipped galvanized finish.

3. Cold Shoes.

4. Hot dipped galvanized finish on high temperature pipe supports.

5. Pre-insulated supports for an LNG plant

Can heat trace lines be accommodated?

We have supplied many insulated pipe supports, each with one or more grooves to handle heat traces. Advise us of the number, size, configuration and orientation of your heat tracing and we can readily and economically incorporate the necessary groove(s) in the supports you require.

How can I make certain that insulated pipe supports will be used in my facility?

Whether you have an in-house engineering capability or sub-contract the engineering effort to an outside firm, you should make clear that one or more of the typical General Mechanical Specifications, included elsewhere in this catalog, are followed. Over the years, specifications have become so ambiguous that they often result in a complete license to have anything but what the owner/operator wishes installed on the project. In addition, a properly written specification places the responsibility for the purchase and installation of insulated pipe supports with the Mechanical Contractor, resulting in a lower bid - (and lower total project cost) from the Insulating Contractor. We have an open offer to work with you and/or your Engineer, to review your current specifications and provide recommendations to assure that the most economic and appropriate supports are used on your project.

Is there any reason to consider insulated pipe supports on chilled water lines?

Old-style sheet metal insulation "protection" shields, when used with today's low density fiberglass insulation, often damages the very insulation and vapor barrier they are supposed to protect when the shield moves in relation to a clevis hanger, becomes unbalanced, and cuts through both the vapor barrier and the insulation. An insulated pipe support provides the best protection against condensation/sweating problems and enhances the life of the insulation system.



High temperature insulated pipe support. The base, clamps, nuts, jackets and bolts are all fabricated from hot-dipped galvanized carbon steel. The cold shoes have 3" thick high density calcium silicate insulation, and are designed for 12" - 42" diameter pipes. The dimensions are 47" L X 51" W X 16" H.



1. 25-7/8" Diameter high temperature supports for a rush job.

2. 48" Guided pre-insulated pipe supports for high temperatures.

3. Hot shoes for a power plant in Argentina.

4. These cryogenic supports are fabricated from 20 PCF polyurethane insulation, weigh 650 lb. each and are designed for 30" diameter pipe.

5. 58" Diameter high temperature rotational and axial stop insulated supports.