



ROTO SEAL COUPLING

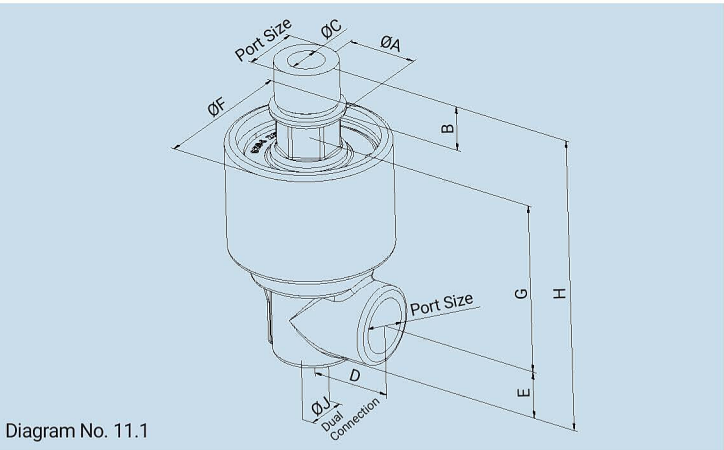


Diagram No. 11.1

SPECIFICATIONS

Port :	Refer below technical data sheet (Available BSP)
Media :	Air, Water, Oil & Gas
Pressure :	Upto 10 bar
Temperature :	85°C (Chilled water & high temperature available on request)
RPM	1000 RPM

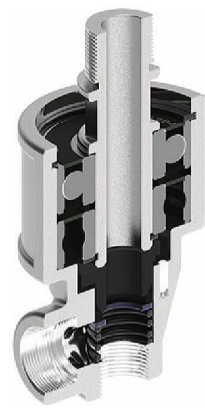
FEATURES

- High-Performance Bearings & Seals.
- Dual Connection Available.

TECHNICAL DATA

All dimensions are in mm

Model No.	Diagram No.	Body Material	Port Size (BSP)	Seal Material	A	B	C	D	E	F	G	H	J
UCV1L / UCV1R	11.1	CF8 / CF8M	¼"	NBR / VITON	20	14	6	21	12	39	45	85	⅛"
UCV7L / UCV7R	11.1	CF8 / CF8M	⅜"	NBR / VITON	23	14	10	21	13	48	56	97	¼"
UCV2L / UCV2R	11.1	CF8 / CF8M	½"	NBR / VITON	25	16	12	28	16	54	61	106	⅜"
UCV3L / UCV3R	11.1	CF8 / CF8M	¾"	NBR / VITON	32	19	19	39	18	70	75	151	½"
UCV4L / UCV4R	11.1	CF8 / CF8M	1"	NBR / VITON	40	25	24	43	25	82	92	172	¾"
UCV5L / UCV5R	11.1	CF8 / CF8M	1¼"	NBR / VITON	50	26	32	48	32	94	117	209	1"
UCV6L / UCV6R	11.1	CF8 / CF8M	1½"	NBR / VITON	50	26	36	48	32	96	117	211	1"
UCV8L / UCV8R	11.1	CF8 / CF8M	2"	NBR / VITON	71	31	47	61	36	123	153	292	1½"



SECTION VIEW

ROTO SEAL COUPLING MODEL IDENTIFICATION CHART

