

RELIABILITY IN
OBSTRUCTION
LIGHTING



FAA & ICAO OBSTRUCTION LIGHTS

POWERLINE



TELECOM



CHIMNEY



AIRPORT



WINDTURBINE



CRANE



 POWERLINES



 TELECOM



 CHIMNEY



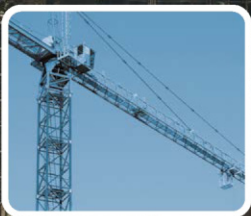
 AIRPORT



 WINDTURBINES



 CRANE



A nighttime cityscape featuring a prominent construction crane on the right and a central building with a glowing logo. The scene is illuminated by city lights and the crane's structure, set against a dark blue sky.

RELIABILITY IN OBSTRUCTION LIGHTING

Any object which could represent a hazard for low-flying aircraft must be marked by beacon lights. The ICAO (International Civil Aviation Organization - appendix 14, Chapter 6) and the FAA (Federal Aviation Administration - USA) lay down internationally-applicable rules on the characteristics of the beacons and their installation.

Some points of the regulations (depending on the type of obstacles which must be marked), and the corresponding installation rules, are given below.

Intensity	Color	Type		flashes per minute	Night (Cd)	Day (Cd)	Twilight (Cd)
		ICAO	FAA				
LOW	Red	B	L-810	Steady	≥ 32.5	light OFF	
MEDIUM	Red	B	L-864	30 fpm	2,000 ± 25%	light OFF	
	Dual Color	A & B	L-865 / L-864	40 fpm (white) 30 fpm (red)	2,000 ± 25%	20,000 ± 25%*	20,000 ± 25%*
	White	A	L-865	40 fpm	2,000 ± 25%	20,000 ± 25%*	20,000 ± 25%*
HIGH	White	A	L-856	40 Fpm	2,000 ± 25%	270,000 ± 25%*	20,000 ± 25%*

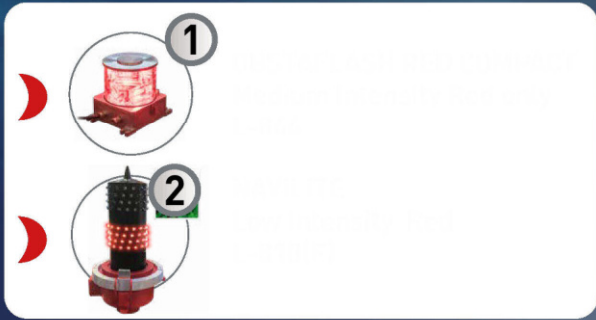
* : FAA requires a flash duration of 100ms max with Blondel-Rey formula for effective intensity.
NVG compatible for L-810 and L-864 lights

In order to help you choosing the proper light you need, you will find common configurations.
The recommendations and rules mentioned below **are only given for information based on the FAA circular**

Obstruction light classification

FAA & ICAO type	designation	part number (FAA)	Compliance statement	
L-810*	Low intensity type B	NAVILITE-FAA	113969, 113969IR	FAA (150-5345-43H) L-810, FAA (150-5345-43J) pending + compliant with ICAO low intensity type B
L-865	Medium intensity type A (white flashing light)	Obstaflash OF360-WW-240-U; OFI360-WW-240-U; OFI120-WW-048-U; OFI120-WW-048/240-U; OFI120-WW-240-U; OFI-WW-048-U	113723U; 113723UI; 113711U; 113757U; 113713U; 113791U	FAA (150-5345-43H) L-865 certified + compliant with ICAO medium intensity type A
L-864	Medium intensity type B (red flashing light)	Obstaflash OF360-R-240; OFI360-R-240; OFI120-R-048-U; OFI120-R-048/240-U; OFI120-R-240-U; OFI-R-048; OFC-RR-240; OFC-RR-048	113724; 113724I; 113710U; 113756U; 113714U; 113790; 113790RR-240; 113790RR-048	FAA (150-5345-43H) L-864 certified + compliant with ICAO medium intensity type B
L-865/L-864*	Dual color medium intensity type A and B	Obstaflash OF360-RW-240-U; OFI-RW-240-U; OFI120-RW-240-U; OFI120-RW-48/240-U; OFI120-RW-048-U; OFI360-RW-048-U	113725U; 113725UI; 113715U; 113758U; 113712U; 113792U	FAA (150-5345-43H) L-865/L-864 certified + compliant with ICAO medium intensity type A & B
L-864 compatible NVG	Medium intensity type B (red + infrared flashing)	Combi lights OFC-RI-240; OFC-RI-048	113790RI-240; 113790RI-048	FAA (150-5345-43J) L-864 certified + compliant with ICAO medium intensity type B
L-856	High intensity	Obstaflash OFH-120-WW-240-U	113780U	FAA (150-5345-43J) L-856 pending

Use cases for towers with red and white painted bands
Night only operation



350-700 ft
(107-213 m)

1 TOP LEVEL

150-350 ft
(46-107m)

1 TOP LEVEL

1 MID LEVEL

Up to 150 ft
(up to 46m)

TOP LEVEL 2

2 MID LEVEL

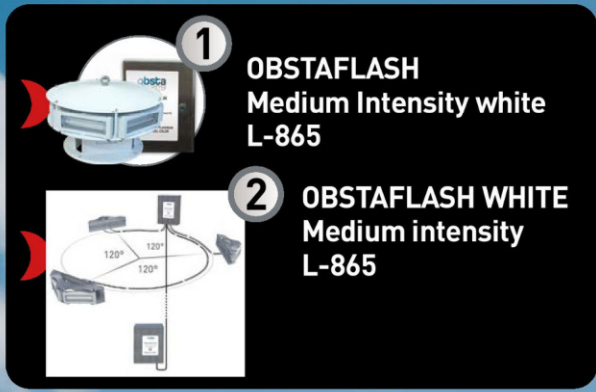
A2

A1

Controler + photocell

A0

Use cases for towers without painting bands
Day and Night operations (white color only)



350-700 ft
(107-213 m)

1 OR **2** TOP LEVEL (3 METERS BELOW THE TOP)

200-350 ft
(61-107m)

1 TOP LEVEL

1 OR **2** MID LEVEL

2 power supplies at the bottom
+ 1 photocell

power supply + day/night
photocell at the bottom

D1

D2

Use cases for towers from 45m to above 105m
 Day and Night operations (white day, red at night)

1
 113725UI
 Dual color medium intensity type A/B
 110-240VAC

2
 113969
 NAVILITE
 Low Intensity Red
 L-810(F)

3
 113758U
 OBSTAFLASH120 KIT
 dual color medium intensity

350-700 ft (107-213 m)

- 1** TOP LEVEL
- OR
- 3** 3 meters below the top

200-350 ft (61-107m)

- 1** OR **3** TOP LEVEL

MID LEVEL

- 1** OR **3**

- 2** MID LEVEL

E2

E1

Stack without red & white stripes 45 to 105 meters high. Lights operating Day and night.



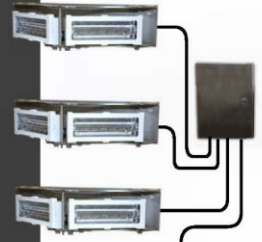
3 LED OBSTAFASH120 dual color medium intensity L-865 / L-864 20 feet max

2-6 meters below the top to avoid the smoke to hide the lights

RED AT NIGHT



WHITE AT DAY



3 L-810 (F) at mid level

FAA L-810 (F) type with NPT pipe

RED FIXED AT NIGHT



DAY OFF

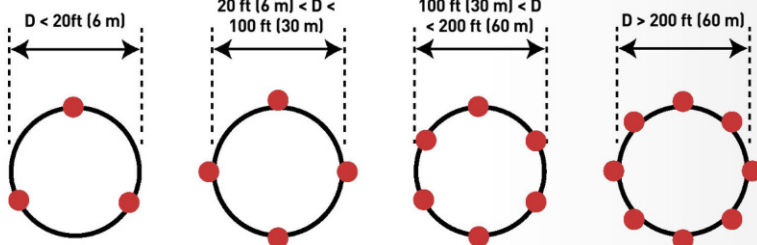


Photocell north oriented



110 to 240 VAC

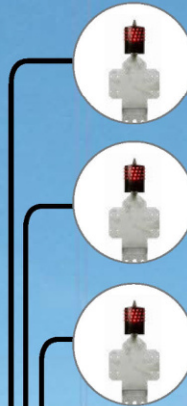
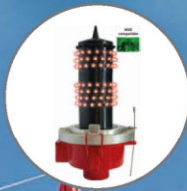
Number of lights per level depending on the diameter of the chimney



These configurations can be modified if stack are close to each other



Use case for crane with or without red and white strips.



3 NAVILITE

3 low intensity Navilite type, on the jib, counter jib and crane-top



BATTERY CABINET in option

Battery backup (>12 hours)

TOP LEVEL



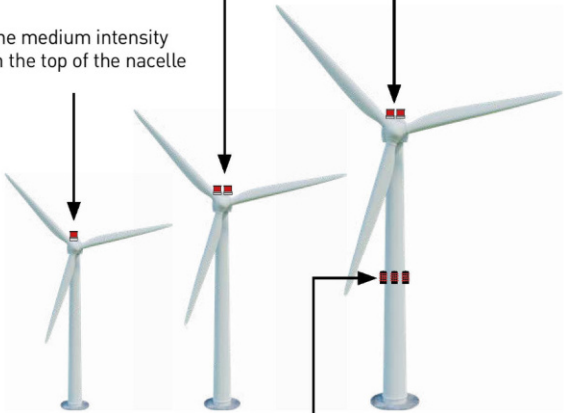
Red compact medium intensity L-864

NIGHT OPERATION

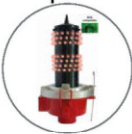
Two medium intensity light mounted on opposite rear sides of the nacelle



One medium intensity on the top of the nacelle



3 or more FAA L-810(F) spaced around the mast configured to flash in sync with red medium intensity



MID LEVEL



In option Navilite low intensity L-810(F)

For FAA, 1 or 2 L-864 flashing red light at the top of the nacelle depending on the height of the windturbine :

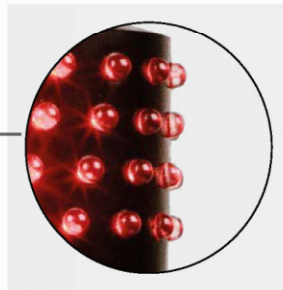
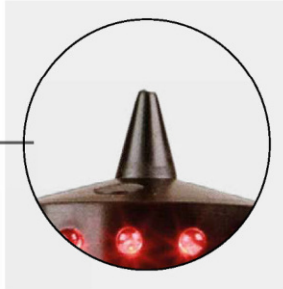
- 1 single FAA type L-864 if **windturbine ≤ 499ft (152m)**
- 2 FAA type L-864 if **499ft (152m) ≤ windturbine ≤ 699ft (213m)**
- 3 or more FAA type L-810(F) spaced around mast at mid level for **turbine > 699ft (213m)**.

NAVILITE FAA L810 & L-810(F)

L-810 as per FAA 150-5343-43J pending



NAVILITE-FAA-100-240Vac



One-piece molded

- Light perfectly waterproof
- no corrosion risk
- no losing parts
- bird spike
- 2 x1" NPT threaded holes

LED light

- Total of 64 diodes
- 16 circuits of 4 LEDs, available with Infrared
- LED wiring 4 by 4 in active redundancy at 90°
- provide perfect support of the LED inclination angle
- excellent heat dissipation

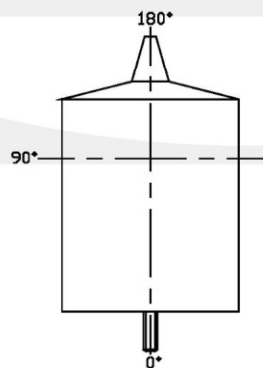
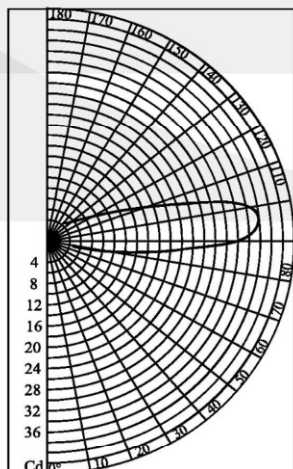
Power supply

- Modular design with separate power supply in aluminium housing mounted
- 110 VAC to 240 VAC power supply
- Surge protection included
- Alarm relay included
- Infrared (decoupled, only for part number: 113969IR)
- Steady or flashing mode



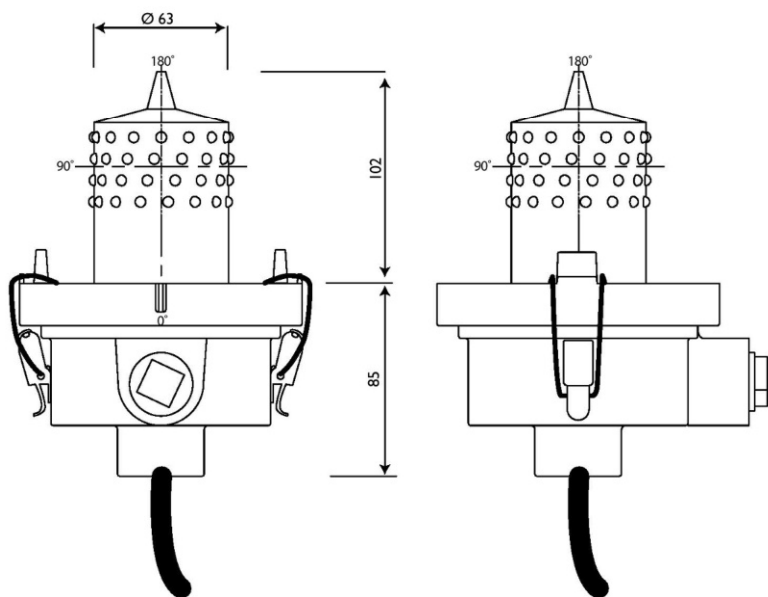
Night Vision Goggles compatible according to FAA

LIGHT INTENSITY DIAGRAM



	NAVILITE L-810
IP degree	65 in vertical position
Operating temperature	-40° to + 55°C
Power supply	110 VAC to 240VAC and 48VDC (+/-10%)
Weight (light)	370 g (excluding aluminium base)
Weight (light + base)	1.4 kg (fixed through vertical or horizontal NPT)

DIMENSIONS (IN MM)



ACCESSORIES

- Support for horizontal or vertical attachment

MAIN REFERENCE

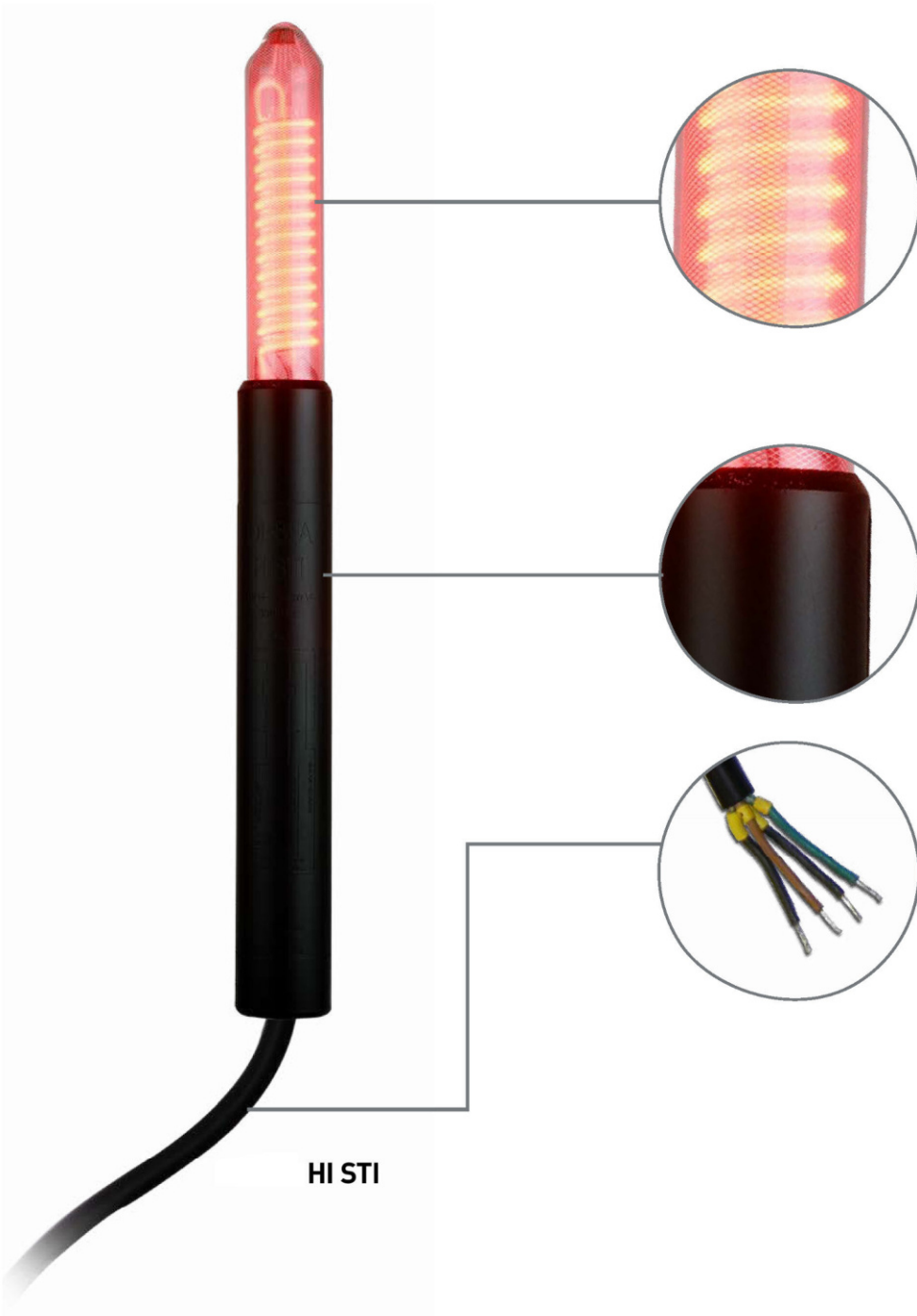
Designation	Part number	Power supply	Luminous intensity	Nominal power
NAVILITE-FAA-100-240V	113969	110 VAC to 240 VAC	As per FAA (150-5345-43H)	6 W

Designation	Part number	Power supply	Luminous intensity + infrared	Nominal power
NAVILITE-IR-FAA-100-240V	113969IR	110 VAC to 240 VAC	As per FAA (150-5345-43J)	10 W

HISTI 110 to 240 VAC

The HI STI is devoted to the marking of all kinds of obstacles such as buildings, airports, broadband towers, high voltage power poles. One model allow can cover every voltage from 110VAC up to 240VAC.

Certificate of compliance with FAA-AC/150/5445-43G (not ETL listed anymore)



Neon light

- 13 turns
- hard glass cover and tube
- «aviation » red color
- very long life expectancy in all climatic environment
- great light efficiency
- luminosity substantially higher than what is recommended by ICAO and FAA
- low power consumption

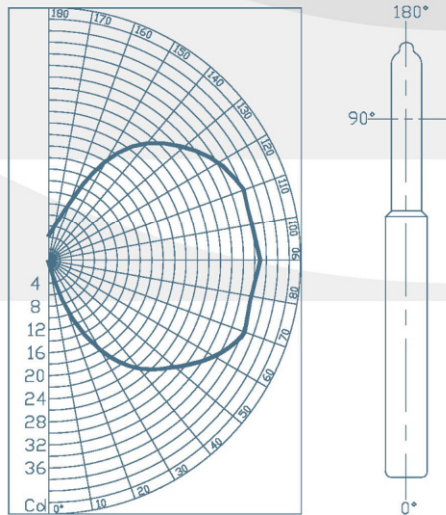
One-piece molded

- perfectly waterproof
- no grounding issue
- all wiring configuration available
- no rise from the ground potential (due to lightning for example)
- increased reliability

Power cable

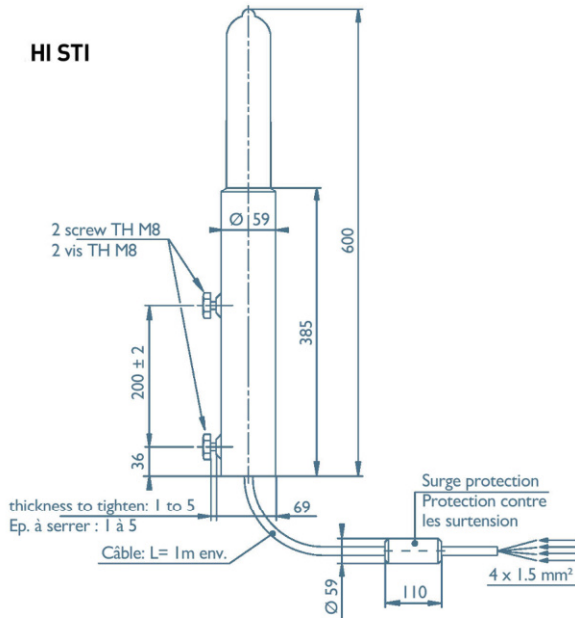
- 110 VAC up to 240 VAC
- protected against transient overvoltages
- alarm relay in case of lamp failure or low power

LIGHT INTENSITY DIAGRAM



HISTI	
IP degree	66
Operating temperature	-30° + 60°C
Power supply voltage	from 110 up to 240V (+/-10%) 50/60 Hz
Weight	2.3 kg
Attachment	2 screws type M8 (provided) Thickness to screw into : 1 up to 5 mm
Wiring	On stripped wires (2 power wires, 2 alarm wires)

DIMENSIONS (IN MM)



SPECIAL PRECAUTIONS

For chimney installation, install the light under the top (1.5 to 3m, 5 to 10ft), as per ICAO and FAA recommendations.
For installation in intense electromagnetic fields, the use of shielded wire is highly recommended.

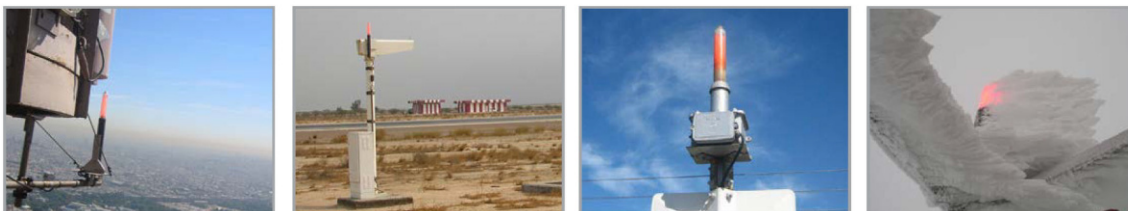
OTHER FUNCTIONS

- Failure remote signalization by relay (see diagram)
- «Active redundancy» configuration allows the automatic turn on of a backup light and/or of an alarm in case of failure of the main light (see diagram)
- Photocell controlled
- Light shielded as per standard EN 55011, class B
- **Stainless steel mounting bracket** (ref. 113121 for one light and 113124 for two lights)

MAIN REFERENCE

Designation	Part number	Power supply	Luminous intensity	Current consumption	Nominal power	Theoretical lifetime (without any light decrease*)
OBSTA HI STI	113110	from 110 V eff. up to 240 V 50/60 Hz	> 32 Cd	110V - 730 mA 240 V - 370 mA	45 W	10 years

* with power supply stabilized



OBSTAFLASH COMPACT OFC

L-864 FAA (AC 150/5345-43H) certified
ICAO Red Medium intensity type B & C / CAA compliant (fixed mode)



Characteristics

- Hard glass cover (no plastic) and aluminum based
- Easy installation with only captive parts
- 2 LED circuits
- Alarm in case of light or power failure
- Low consumption
- Surge protection included
- "Night Vision compatible" as per Swiss directive and FAA regulation 150/5345-43H
- Photocell and GPS built-in in option



Night Vision Goggles compatible
according to FAA

Product range OBSTAFLASH COMPACT OFC ICAO Red Medium intensity type B & C / L-864 / CAA

OFC - XX - XXX - RG

OPTION

- : no option
R : with built-in photocell
G : with GPS

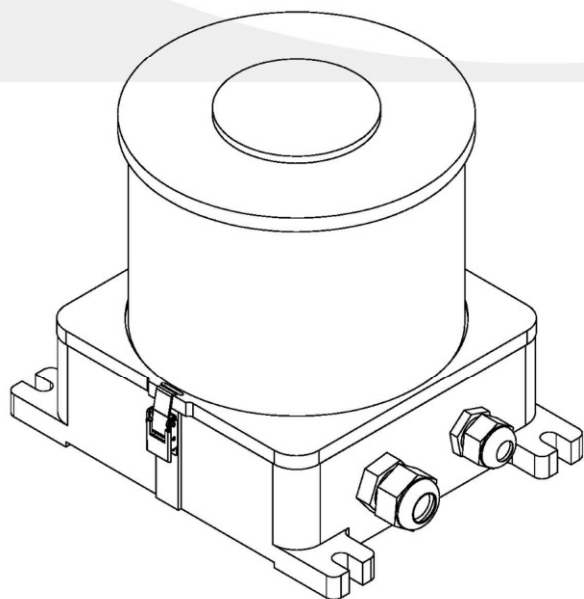
input voltage

048 : 48Vdc
240 : 110-240Vac

color

RI : red and infrared

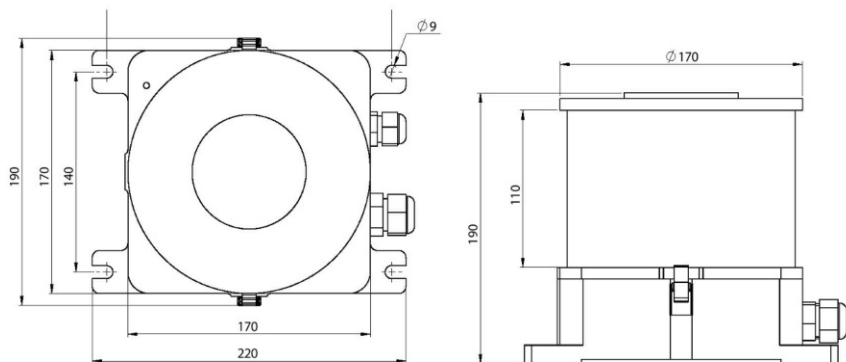
WEIGHT & DIMENSIONS (IN MM)



	OFC
IP degree	66
Operating temperature	-40°C to +55°C
Cable entries	2 nickel-plated brass
NVG compatible for OFC-RI	
IR intensity and wavelength	600mW/sr @ 800-900nm
Weight	5kg

ACCESSORIES

- Built in GPS for wireless synchronisation
- Built in Photocell for night only operation
- Optional wiring accessories
- junction box part number 113943-AL
- monitoring box for OFC & Navilite



MAIN REFERENCE FOR OFC-RI-XXX / FAA L-864

designation	part number	Voltage	Color	IR intensity and wavelength	Luminous intensity	Flashes per minute	Average power consumption
OFC-RI-048	113790RI-048	48Vdc	red	600mW/sr @ 800-900nm	2000cd RMS	As per FAA	< 10 W
OFC-RI-240	113790RI-240	100-240Vac	red				< 10 W

OBSTAFLASH OFI360

L-865/864 FAA (AC 150/5345-43H) Certified
ICAO white & red Medium intensity type A+B



Flashhead with integrated 48VDC power supply
Patent : EP 1966535B1 & US 7816843

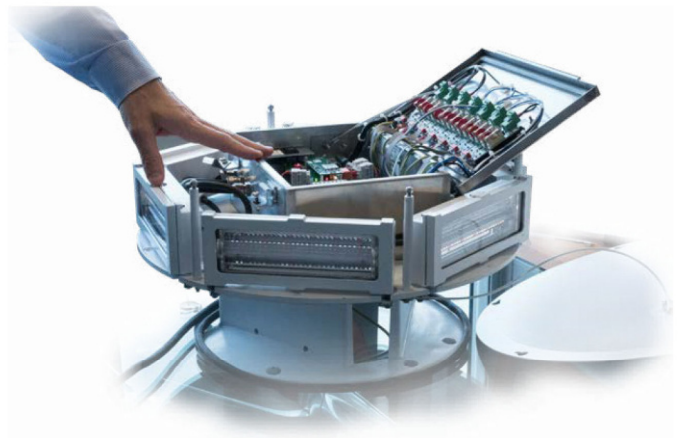
Dual Color Flashhead

- 6 led replaceable projectors
- Aluminium and glass envelope
- Modular design
- Easy maintenance
- Precise optic , low led current for optimal lifetime
- Integrated 48 VDC power supply inside the flashhead
- Luminous indicator for each led circuits
- Captive parts
- 48 Vdc surge protection included
- Test button and luminous indicators

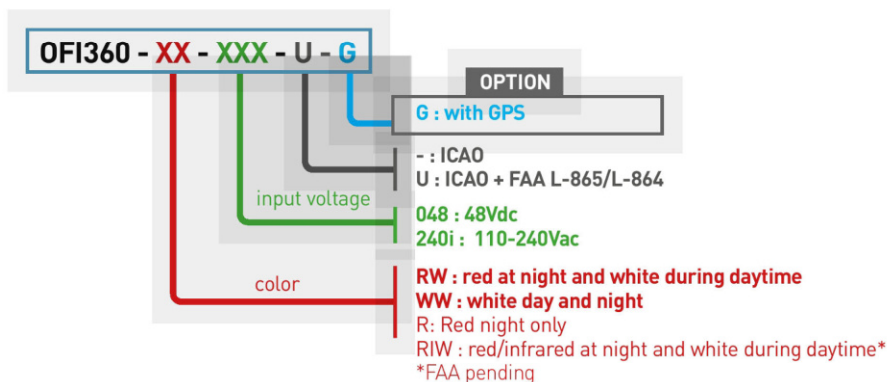
IN OPTION



Night Vision Goggles compatible
according to FAA

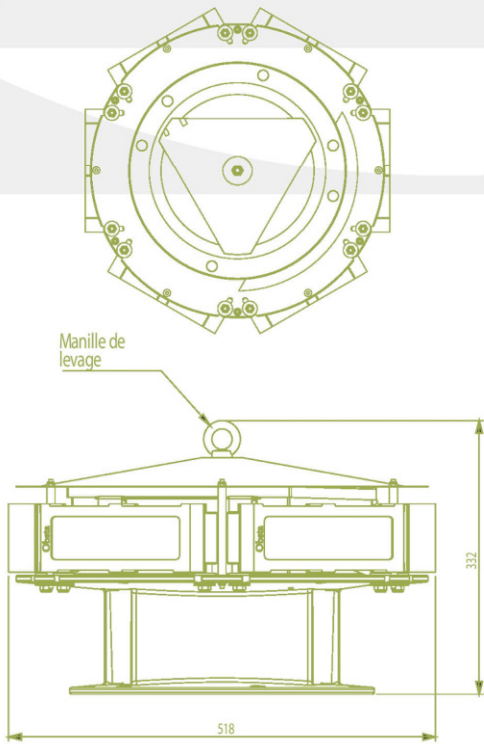


Product range OBSTAFLASH OFI360
Obstaflash Medium intensity with 48Vdc integrated power supply
ICAO White and Red Medium Intensity type A and B



WEIGHT & DIMENSIONS (IN MM)

Flashhead



IP degree for power cabinet	65 in vertical position
Operating temperature	-30° to +55°C
Input voltage	48 Vdc +/- 10%
Cable entry for flashhead, power supply, photocell and alarm	1 nickel plated brass

ACCESSORIES

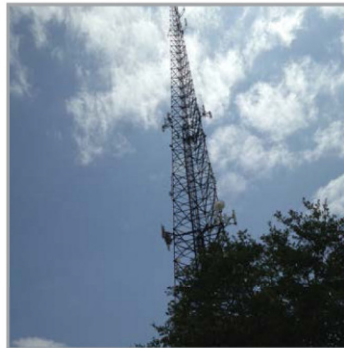
- Option with GPS inside the light P/N 113752U-G for wireless synchronization
- 48vdc photocell part number 100755
- 48Vdc battery cabinet (input voltage 100-240VAC) for 12 hours back-up part number 113956

MAIN CHARACTERISTICS

Main characteristics	Effective Luminous output on site at 0°		Color		Beam Spread		Flashes per minute
	Day	Night	Day	Night	Vertical	Horizontal	
Red only (L864)	light off	2000 Cd	light off	Red	> 3°	360°	As per ICAO or FAA
White only (L865)	20 000 Cd	2000 Cd or off	White	White or off			
Dual color (L865/L864)	20 000 Cd	2000 Cd	White	Red			

MAIN REFERENCE

Designation	part number	input voltage	ICAO category	FAA category	Color
OFI360-RW-048-U	113792U	48Vdc	Medium intensity type A & B	L-865/L-864	dual color
OFI360-WW-048-U-G	113792U-g		Medium intensity type A	L-865	dual color
OFI360-R-048-U	113790		Medium intensity type B (or C, CAA)	L-864	red



KIT OBSTAFLASH OFI360 110-240 Vac

L-865/864 FAA (AC 150/5345-43H) Certified
ICAO white & red Medium intensity type A+B



Flashhead with integrated 48VDC power supply
Patent : EP 1966535B1 & US 7816843



Flashhead

- 6 led replaceable projectors
- Aluminium and glass envelope
- Modular design
- Easy maintenance
- Precise optic , low led current for optimal lifetime
- Integrated 48 VDC power supply inside the flashhead
- Luminous indicator for each led circuits
- Captive parts
- 48 Vdc surge protection included
- Test button and luminous indicators

IN OPTION



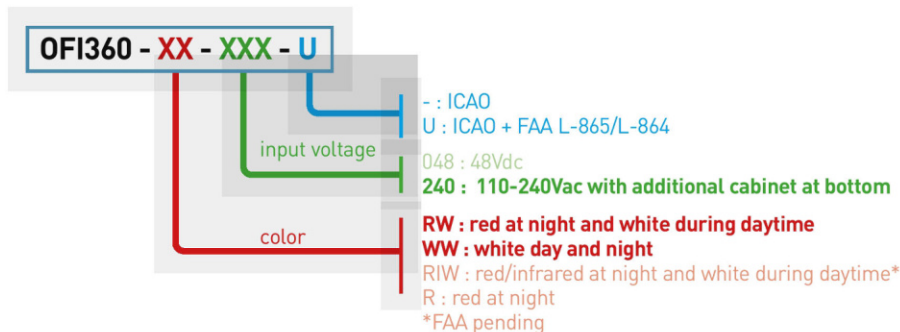
Night Vision Goggles compatible according to FAA

120-230 VAC Power cabinet

- Available in 120 /230 Vac
- Surge protection
- Automatic day/night switch with photocell
- Test button for day and night
- Modular design
- side lights in option
- Alarm contact
- Master/slave configuration for multiple lights synchronization

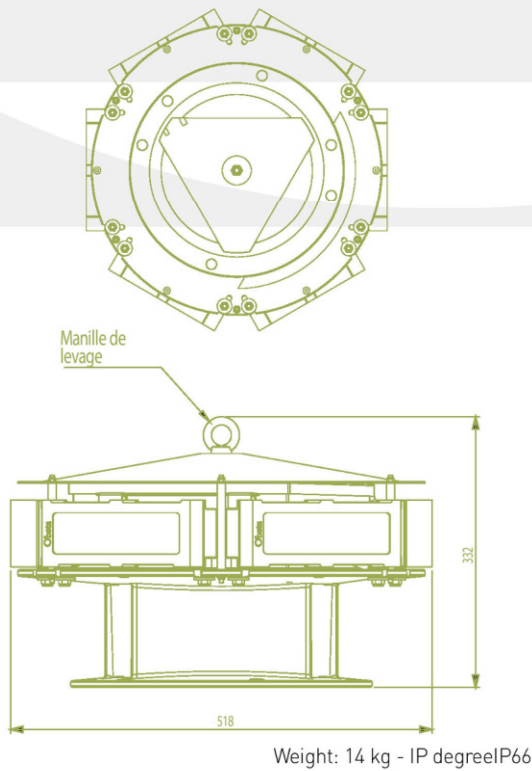
Product range OBSTAFLASH OFI360

Obstaflash Medium intensity with 48Vdc integrated power supply
ICAO White and Red Medium Intensity type A and B



WEIGHT & DIMENSIONS (IN MM)

Flashhead



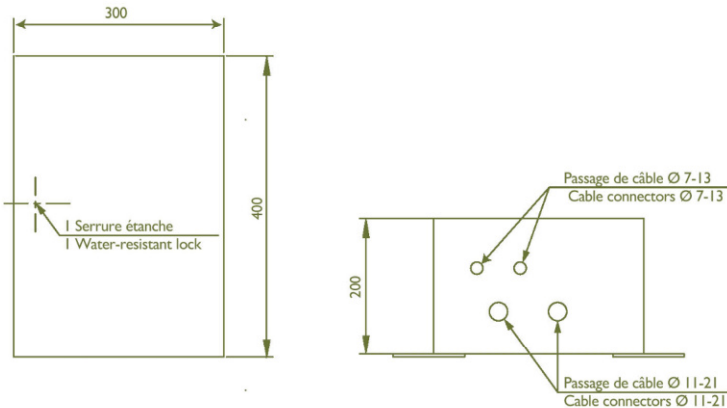
SETS COMPOSITION

IP degree for power cabinet	65 in vertical position
Operating temperature	-30° to +55°C
Input voltage	110 VAC to 240 VAC +/-10% 50 to 60 Hz
Cable entry for flashhead, power supply, photocell and alarm	4 nickel plated brass

ACCESSORIES

- GPS module for wireless synchronization in case it is not possible to connect the lights by wires.
- Photocell part number 100755.

Control cabinet



MAIN CHARACTERISTICS

Main characteristics	Effective Luminous output on site at 0°		Color		Beam Spread		Flashes per minute
	Day	Night	Day	Night	Vertical	Horizontal	
Red only (L864)	light off	2000 Cd	light off	Red	> 3°	360°	As per FAA
White only (L865)	20 000 Cd	2000 Cd or off	White	White or off			
Dual color (L865/L864)	20 000 Cd	2000 Cd	White	Red			

MAIN REFERENCE

Designation	part number	input voltage	ICAO category	FAA category	Color
OFI360-RW-240-U	113725UI	110-240Vdc	Medium intensity type A & B	L-865/L-864	dual color
OFI360-WW-240-U	113723UI		Medium intensity type A	L-865	white
OFI360-R-240-U	113724I		Medium intensity type B (or C, CAA)	L-864	red

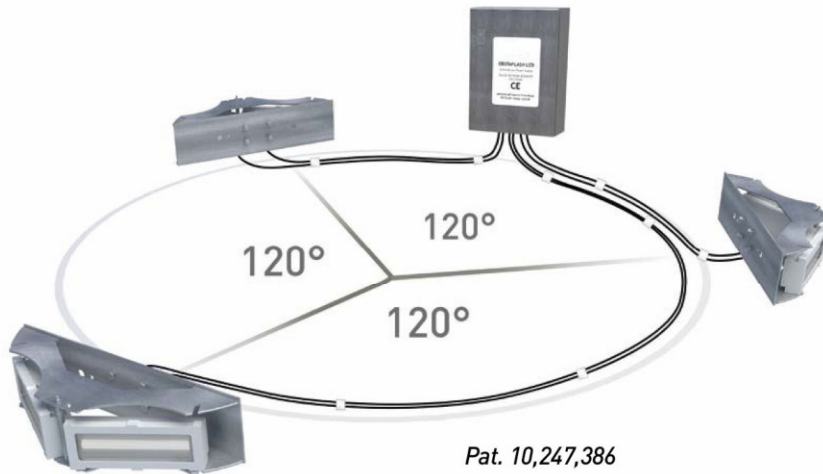
KIT OBSTAFLASH OFI120

L-865/864 FAA (AC 150/5345-43H) Certified
ICAO white & red Medium intensity type A+B

IN OPTION



Night Vision Goggles compatible according to FAA



Kit including 3 Obstaflash120

- 2 led projectors with 10 meters cable
- Aluminium and glass envelope
- Connection with connectors for dual color and gland for red only
- Precise optic for optimal power consumption,
- Electronic deported in external cabinet



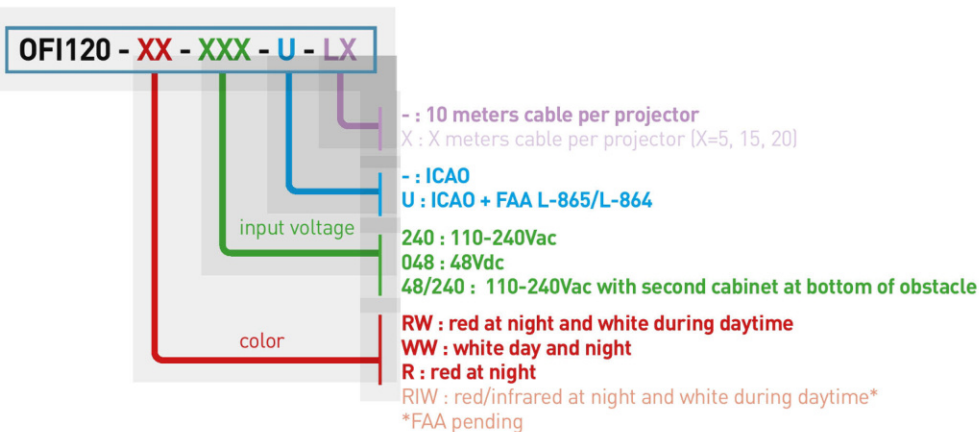
Power cabinet

- Stainless enclosure
- Surge protection
- Test button for day and night, 1 luminous indicator per white led projector,
- Modular design,
- Alarm contact
- Master/slave configuration for multiple cabinet
- Connection terminal for 48V low intensity at intermediale level working at night only
- Available with or without back-up power supply



Product range OBSTAFLASH OFI120

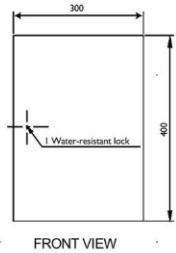
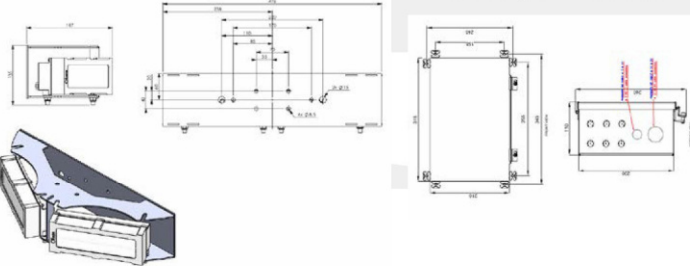
Kit including 3 Obstaflash120 medium intensity flashheads + power supply at same level,
ICAO White and Red Medium intensity type A and B & C / CAA / STAC



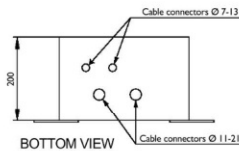
COMPOSITION PER ITEMS

OFF-120

- 48VDC power cabinet



- 110-240 AC power cabinet



IP degree for power cabinet	65 in vertical position
Operating temperature	-30° to +55°C
Input voltage	110 VAC to 240 VAC 50 to 60 Hz or 48VDC +/-10%
Cable entry for flashhead, power supply, photocell and alarm	4 nickel plated brass

ACCESSORIES

- GPS part number 113746 for wireless synchronization
- 48vdc photocell part number 100755
- 48Vdc battery cabinet (input voltage 100-240VAC) for 12 hours back-up part number 11395.

MAIN CHARACTERISTICS

Main characteristics	Effective Luminous output on site at 0°		Color		Beam Spread		Flashes per minute
	Day	Night	Day	Night	Vertical	Horizontal	
Red only (L864)	light off	2000 Cd	light off	Red	> 3°	360°	As per ICAO or FAA
White only (L865)	20 000 Cd	2000 Cd or off	White	White or off			
Dual color (L865/L864)	20 000 Cd	2000 Cd	White	Red			

	Designation	part number	Power supply	ICAO category	FAA category	System components
	OFI120-RW-48/240-U	113758U	110-230 VAC	Medium intensity type A and B	L-865/L-864, dual color medium intensity	3 x OFF-120-RW-10L-U + OFF-CAB-6P-L-RW-048 + OFI-CAB-1E-RW-240-U
	OFI120-WW-48/240-U	113757U		Medium intensity type A	L-865 white medium intensity	
	OFI120-R-048/240	113756U		Medium intensity type B	L-864 red medium intensity	3 x OFF-120-R-10 + OFF-JB-6P-R + OFF-CAB-6P-1E-R-240
	OFI120-RW-048-U	113712U	48VDC	Medium intensity type A and B	L-865/L-864, dual color medium intensity	3 x OFF-120-RW-10L-U + OFF-CAB-6P-L-RW-048
	OFI120-WW-048-U	113711U		Medium intensity type A	L-865 white medium intensity	
	OFI120-R-048	113710U		Medium intensity type B	L-864 red medium intensity	3 x OFF-120-R-10 + OFF-JB-6P-R + OFF-CAB-6P-6E-R-048
	OFI120-RW-240-U	113715U	110-230 VAC	Medium intensity type A and B	L-865/L-864, dual color medium intensity	3 x OFF-120-RW-10L-U + OFF-CAB-6P-L-RW-240-U
	OFI120-WW-240-U	113713U		Medium intensity type A	L-865 white medium intensity	
	OFI120-R-240	113714U		Medium intensity type B	L-864 red medium intensity	3 x OFF-120-R-10 + OFF-JB-6P-R + OFF-CAB-6P-6E-R-240

LED OBSTAFLASH HI L-856

The led OBSTAFLASH high intensity is a white color flashing obstruction light L-856. FAA certification pending



Flashhead

- 12 led projectors
- Aluminium and glass envelope
- Modular design
- Precise optic, low power consumption

Description

- 270 000 candelas during day time in white
- 20 000 candelas during twilight in white,
- 2000 candelas during the night white
- Rugged design
- Easy installation

Power cabinet per flashead

- Weathertight stainless steel enclosures (in vertical position),
- Surge protection
- Alarm monitoring
- Automatic day/twilight/night switch by photocell
- Luminous indicator for each projector
- Test button for day, twilight and night mode
- Modular design
- Low power consumption

Patent : EP 1966535B1 & US 7816843

Product range OBSTAFLASH OFH ICAO High Intensity type A / FAA

OFH-120 - XX - XXX-U

input voltage

240 : 110-240Vac

color

WW : white day twilight and night

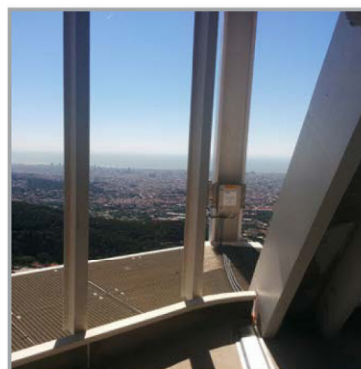
RW : red at night and white during daytime & twilight

COMPOSITION

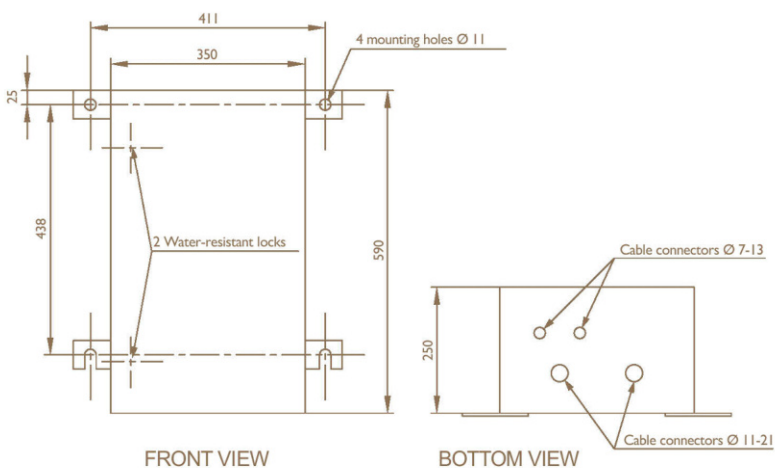
Obstruction lighting system 230 V - 50Hz	Part Number
Flashead + power cabinet	113780
Photocell day/twilight/night	113135
HI controller	113625L

OTHER CHARACTERISTICS

- IP degree: 66 for the projectors and 65 for the stainless cabinet in vertical position,
- Weight per cabinet: 15kg,
- Weight per flashhead: 18kg (1kg per projector and 10kg for the stainless bracket),
- Temperature -30°C to +55°C,
- day/twilight/night automatic switch by external photocell
- Autonomous synchronisation (master/slave configuration) or with external controller
- GSM modem with optical network for remote diagnostic.



POWER CABINET



ICAO model

Main supply	Frequency	Average wattage during day time
110V up to 240V	50/60 Hz	250 W

MAIN REFERENCE

Designation	part number	Luminous Intensity			Beam spread		Flashes/minute
		Day	Twilight	Night	Vertical	Horizontal	
OFH-120-WW-240	113780U	270 000 Cd	20 000 Cd	2000 Cd	> 3°	120°	40

WARNING SPHERES

Those spherical markers are compliant with International Civil Aviation Organization (ICAO) recommendations annex 14 chapter 6 :

Paragraph 6.2.8: A marker displayed on a overhead wire, cable etc. should be spherical and not have a diameter of not less than 600mm

Paragraph 6.2.10: A marker should be of one color. When installed, white and red, or white and orange markers should be displayed alternately. The color selected should contrast with the background against it will be seen.



Plastic spheres

- diameter: 610 mm
- material: polyethylene
- weight: 5 kg
- colors : orange aviation or white
- clamps: adapted to the diameter of the cable
- optional armor rods for cable and OPGW (consult us)

Aluminium spheres

- Designed for high voltage cable up to 420KV
- No losing parts during installation with only 2 screws and 4 draw latches
- overall diameter 600mm
- material: aluminum
- weight: 6.5kg
- color: white, red or aviation orange
- clamps depending on the diameter of the cable



MAIN CHARACTERISTICS

part number	Material	Color *	Clamp diameter *	Armor rod *
13655	Plastic	Red aviation, orange aviation, white	From 9.3 mm to 54.8 mm	Optional

* to be defined when ordering

part number	Material	Color *	Diameter of clamps *
113655AL	Aluminium	Red, orange or white	from 9 mm up to 67 mm

* to be specified at time order

Medium intensity accessories

Photocell for night only operation or dual color light



- plug-in modular construction with plated contact surfaces
- automatic control of the obstruction lighting according to ambient light
- timer to prevent the functioning of the cell at inopportunes times (eg lightning)

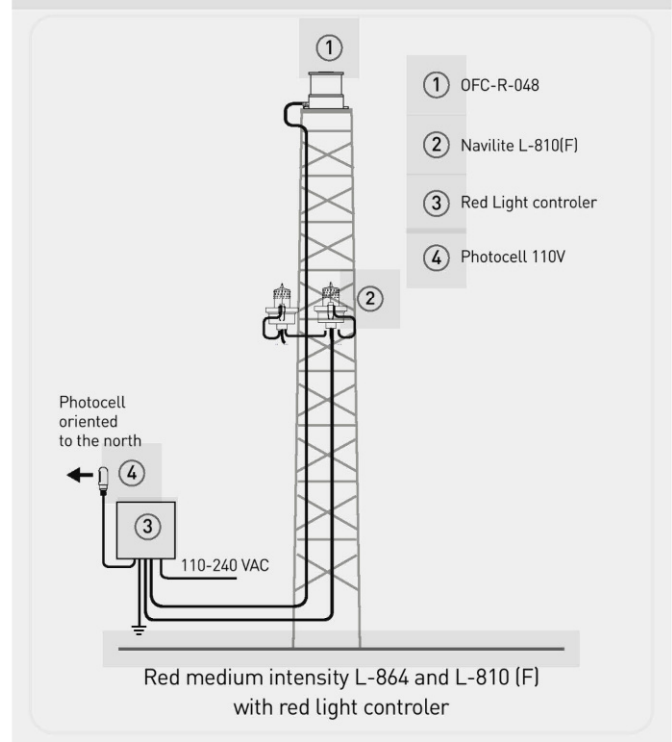
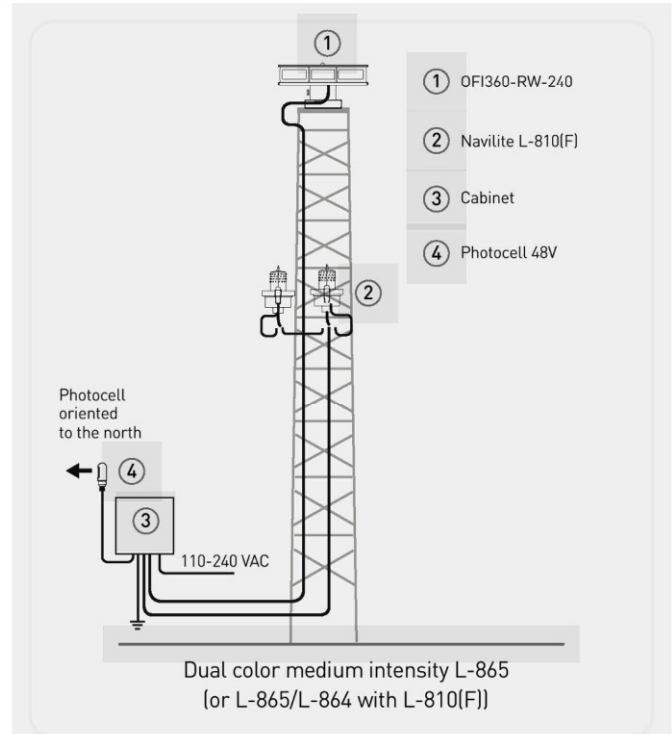
Part number	Power supply	Switching threshold of the cell
113667	110 V ~	Red only operation at night for L-810 or L-864
100755	48 V =	Day/Night change for L-865 or L865/L-864

RED LIGHT CONTROLLER



Part Number	Power supply
113176	110 to 240 Vac

- cable inputs by gland nickel plated brass
- 1 to 6 terminal connections for red lights L-810 (F) and L-864
- surge protection
- connection of the photocell, default information of lights
- on/off switch and remote/manual switch to bypass the photocell





RELIABILITY IN OBSTRUCTION LIGHTING

