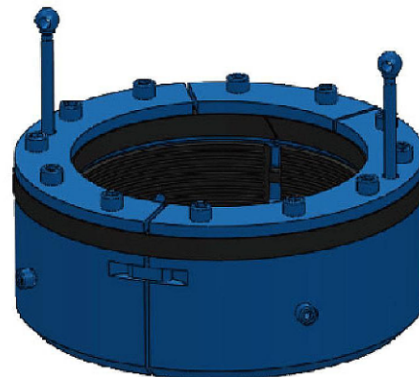
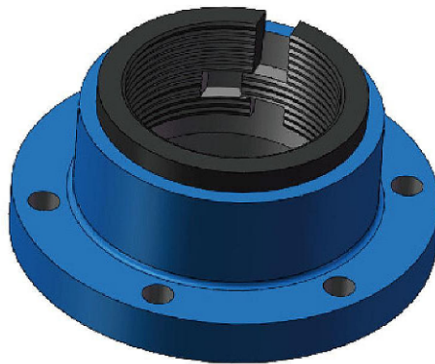


Casing Hanger

Casing hanger is inside the casing head and used for supporting the casing loads, and sealing the annular space between casing and tubing. Both slip type and mandrel type casing hangers are supplied by us.



Casing Head



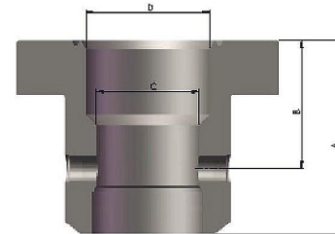
Casing head is used to fix the drilling well and connect the downhole casing string. JL-22&JL-29 Casing heads have a straight bore bowl with 45°C landing shoulder design which avoids damage to sealing areas by drilling tools and prevents test plug and bowl protector wedging problems when pressure is applied.

Outlets

- ◆ Line Pipe Outlets
- ◆ Studded Side Outlets

Bottom Connections

- ◆ Slip-on weld
- ◆ Slip-on weld with O-ring
- ◆ Threaded



JL-22 Casing Heads JL-22

| Flange size | Working pressure | Casing size | Outlet size | A | B | C | D | Approx.Weight | |
|-------------|------------------|-------------|-------------|--------|--------|--------|--------|---------------|-----|
| | | | | | | | | in | kg |
| in | psi | in | in | | | in | | lb | kg |
| 11 | 2,000 | 8 5/8 | 2 LP" | 16 7/8 | 9 1/8 | 8 | 10 7/8 | 340 | 155 |
| 11 | 2,000 | 8 5/8 | 2 1/16 Std" | 20 1/2 | 12 1/2 | 8 | 10 7/8 | 350 | 160 |
| 11 | 2,000 | 9 5/8 | 2 LP" | 16 7/8 | 9 1/8 | 9 | 10 7/8 | 320 | 146 |
| 11 | 2,000 | 9 5/8 | 2 1/16 Std" | 20 1/2 | 12 1/2 | 9 | 10 7/8 | 460 | 210 |
| 11 | 2,000 | 10 3/4 | 2 LP" | 16 7/8 | 9 1/8 | 10 | 10 7/8 | 300 | 137 |
| 11 | 3,000 | 8 5/8 | 2 LP" | 17 1/8 | 9 1/2 | 8 | 10 7/8 | 460 | 210 |
| 11 | 3,000 | 8 5/8 | 2 1/16 Std" | 20 5/8 | 12 5/8 | 8 | 10 7/8 | 480 | 219 |
| 11 | 3,000 | 9 5/8 | 2 LP" | 17 1/8 | 9 1/2 | 9 | 10 7/8 | 430 | 196 |
| 11 | 3,000 | 9 5/8 | 2 1/16 Std" | 20 5/8 | 12 5/8 | 9 | 10 7/8 | 450 | 205 |
| 11 | 3,000 | 10 3/4 | 2 1/16 Std" | 20 5/8 | 12 5/8 | 10 | 10 7/8 | 410 | 187 |
| 13 5/8 | 2,000 | 13 3/8 | 2 LP" | 16 5/8 | 8 7/8 | 12 1/2 | 13 1/2 | 420 | 191 |
| 13 5/8 | 2,000 | 13 3/8 | 2 1/16 Std" | 18 1/8 | 11 1/8 | 12 1/2 | 13 1/2 | 380 | 173 |
| 13 5/8 | 3,000 | 11 3/4 | 2 LP" | 18 5/8 | 10 1/2 | 11 | 13 1/2 | 720 | 328 |
| 13 5/8 | 3,000 | 11 3/4 | 2 1/16 Std" | 18 1/8 | 11 1/8 | 11 | 13 1/2 | 700 | 319 |
| 13 5/8 | 3,000 | 13 3/8 | 2 LP" | 18 5/8 | 10 1/2 | 12 1/2 | 13 1/2 | 540 | 246 |
| 13 5/8 | 3,000 | 13 3/8 | 2 1/16 Std" | 18 1/8 | 11 1/8 | 12 1/2 | 13 1/2 | 520 | 237 |

JL-29 Casing Heads JL-29

| Flange size | Working pressure | Casing size | Outlet size | A | B | C | D | Approx.Weight | |
|-------------|------------------|-------------|-------------|--------|--------|---------|--------|---------------|-----|
| | | | | | | | | in | kg |
| in | psi | in | in | | | in | | lb | kg |
| 11 | 5,000 | 8 5/8 | 2 LP" | 19 3/8 | 13 | 8 | 10 7/8 | 700 | 319 |
| 11 | 5,000 | 8 5/8 | 2 1/16 Std" | 19 3/8 | 12 7/8 | 8 | 10 7/8 | 720 | 328 |
| 11 | 5,000 | 9 5/8 | 2 LP" | 19 3/8 | 13 | 9 | 10 7/8 | 690 | 314 |
| 11 | 5,000 | 9 5/8 | 2 1/16 Std" | 19 3/8 | 12 7/8 | 9 | 10 7/8 | 700 | 319 |
| 11 | 5,000 | 10 3/4 | 2 1/16 Std" | 19 3/8 | 12 7/8 | 10 | 10 7/8 | 680 | 310 |
| 13 5/8 | 5,000 | 13 3/8 | 2 LP" | 20 1/4 | 12 3/4 | 12 1/2 | 13 1/2 | 1150 | 523 |
| 13 5/8 | 5,000 | 13 3/8 | 2 1/16 Std" | 20 5/8 | 12 7/8 | 12 1/2 | 13 1/2 | 1170 | 532 |
| 16 3/4 | 3,000 | 16 | 2 LP" | 19 1/8 | 12 3/4 | 15 3/8 | 16 5/8 | 900 | 410 |
| 16 3/4 | 3,000 | 16 | 2 1/16 Std" | 20 3/4 | 13 | 15 3/8 | 16 5/8 | 1000 | 455 |
| 16 3/4 | 5,000 | 16 | 2 1/16 Std" | 21 | 14 1/4 | 15 3/8 | 16 5/8 | 1630 | 741 |
| 2 1/4 | 2,000 | 20 | 2 LP" | 18 5/8 | 11 3/4 | 19 3/16 | 20 1/8 | 950 | 432 |
| 20 3/4 | 3,000 | 20 | 2 LP" | 20 3/8 | 12 1/2 | 19 3/16 | 20 1/8 | 1300 | 591 |
| 20 3/4 | 3,000 | 20 | 2 1/16 Std" | 20 5/8 | 14 | 19 3/16 | 20 1/8 | 1300 | 591 |

Casing Spool

JL-22 and JL-29 casing spools feature a versatile straight bore design with 45° landing shoulder to support maximum casing loads, and accept a wide variety of slip and mandrel type casing hangers, minimizes risk of damage to sealing areas by drilling tools, and prevents test-plug and bow-protector wedging when pressure is applied.

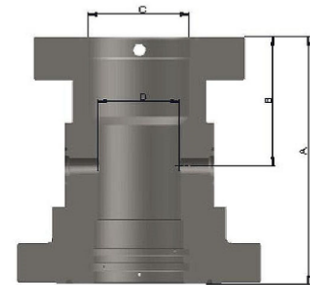
JL-29 Casing Spools are based on the same design as the JL-22 with exception that the bowl is larger, which allowed the JL-29 casing hanger with larger load capacity.

Outlets

- ◆ Line Pipe Outlets
- ◆ Studded Side Outlets

Bottom Connections

- ◆ PE/BG bottom
- ◆ OO bottom(below 5,000psi)
- ◆ Double “P” seal bottom



Main Technical Parameters

| Bottom Flange size | Working pressure | Top Flange Size | Working Pressure | Outlet | A | B | C | D | Approx.Weight | |
|--------------------|------------------|-----------------|------------------|--------------|--------|--------|--------|--------|---------------|-----|
| in | psi | in | psi | | in | in | in | in | lbs | kg |
| 11 | 3,000 | 11 | 3000 | 2-1/16"Stdd | 20-5/8 | 10-1/4 | 10-7/8 | 10 | 755 | 344 |
| 11 | 3,000 | 11 | 5000 | 2-1/16"Stdd | 22-1/4 | 12-3/4 | 10-7/8 | 10 | 835 | 380 |
| 11 | 5,000 | 11 | 5000 | 2-1/16"Stdd | 23-7/8 | 12-3/4 | 10-7/8 | 10 | 910 | 414 |
| 11 | 5,000 | 11 | 10000 | 1-13/16"Stdd | 24-3/4 | 13-5/8 | 10-7/8 | 10 | 1210 | 550 |
| 11 | 10,000 | 11 | 10000 | 1-13/16"Stdd | 25-5/8 | 14-1/2 | 10-7/8 | 10 | 1410 | 641 |
| 13-5/8 | 3,000 | 11 | 3000 | 2"LP | 22-5/8 | 10-1/4 | 10-7/8 | 10 | 680 | 310 |
| 13-5/8 | 3,000 | 11 | 3000 | 2-1/16"Stdd | 22-5/8 | 10-1/4 | 10-7/8 | 10 | 799 | 364 |
| 13-5/8 | 3,000 | 11 | 5000 | 2"LP | 25-1/4 | 12-3/4 | 10-7/8 | 10 | 1140 | 519 |
| 13-5/8 | 3,000 | 11 | 5000 | 2-1/16"Stdd | 25-1/4 | 12-3/4 | 10-7/8 | 10 | 1168 | 531 |
| 13-5/8 | 5,000 | 11 | 5000 | 2-1/16"Stdd | 25-1/8 | 12-3/4 | 10-7/8 | 10 | 1430 | 650 |
| 13-5/8 | 5,000 | 11 | 10000 | 1-13/16"s | 26 | 13-1/2 | 10-7/8 | 10 | 1631 | 742 |
| 21-1/4 | 2,000 | 13-5/8 | 3000 | 2-1/16"Stdd | 28-3/4 | 10-5/8 | 13-1/2 | 12-1/2 | 1755 | 798 |
| 20-3/4 | 3,000 | 13-5/8 | 3000 | 1-13/16"s | 27-5/8 | 10-5/8 | 13-1/2 | 12-1/2 | 1855 | 844 |
| 20-3/4 | 3,000 | 13-5/8 | 5000 | 2-1/16"Stdd | 28-5/8 | 12-1/8 | 13-1/2 | 12-3/8 | 1950 | 887 |