

We are one of the leading oilfield equipment manufacturers, providing as well the after-sales services. It has production capacities and well-skilled personnel specialized in the field of the oil & gas equipment manufacturing and repairs. The Company has an integrated production, with in-house design abilities applying high technology to conform to the API specification or the other standards. The Company has QA and QI departments, that benefit from modern labs, assuring the conformity with international standards ISO 9001, ISO 14001, OHSAS 18001, PED 97, GOST-R and API 6A, 6D, 10D, 11 IW. quality system is certified by EUROCERT and Germanischer Lloyd. Entitling as a technological entity with a high degree of independence, integration and multiple production capacities.

UZ - 22 Casing Head Housings

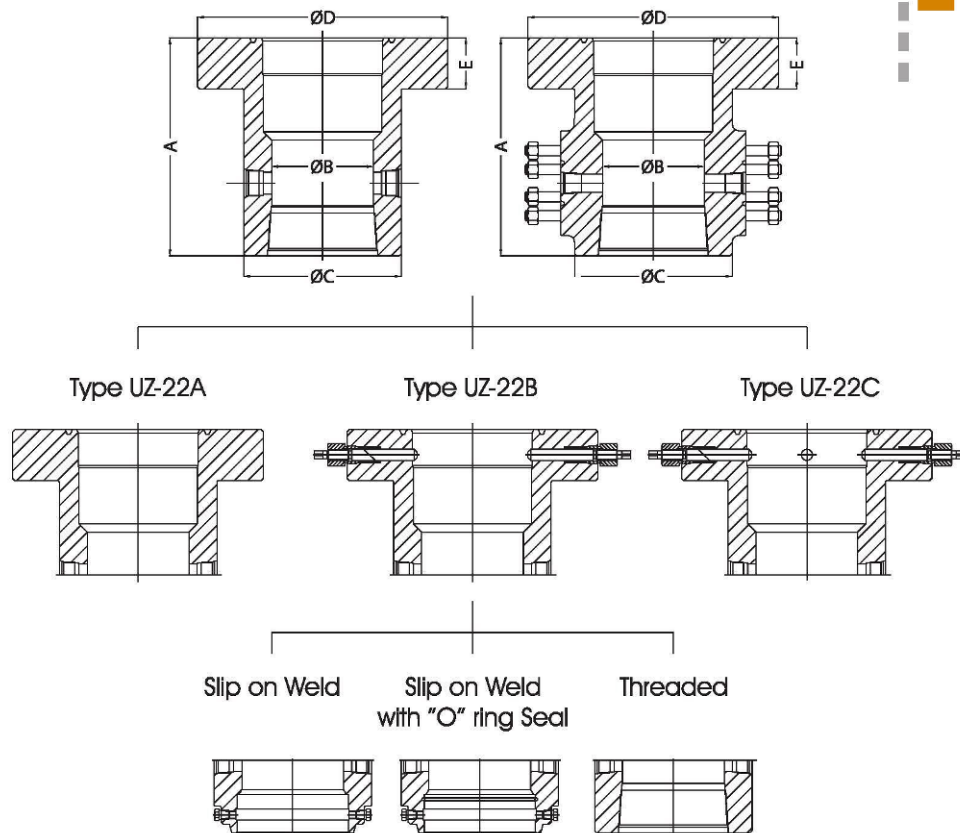


Type UZ-22A Casing head housing has a versatile straight design that can accept a wide variety of slip and mandrel casing hangers (standard UZ-22 casing hanger).

Type UZ-22B Casing head housing bowl is identical to the UZ-22A with the addition of 2 lock down screws for wear bushing retention.

The UZ-22 Casing head housing is available with API female (bottom connection) casing threads forms or slip-on-weld casing connection. Slip-on-weld type connection has a 1/2" NPT test port.

Outlets: line pipe or flanged studded with valve removal thread on request.



UZ - 22 Casing Head Housings



Casing Size (in)	Top Flange		A (in)	B (in)	C (in)	D (in)	E (in)
	Size (in)	Press. (PSI)					
8 5/8	9	2,000	18.89	8.07	10.75	16.53	2.50
		3,000	18.89	8.07	11.75	18.51	2.81
		5,000	18.89	8.07	11.50	19.09	4.06
	11	2,000	19.29	8.07	13.50	20.07	2.81
		3,000	19.29	8.07	14.50	21.45	3.06
		5,000	19.68	8.07	14.50	23.03	4.69
9 5/8	11	2,000	19.29	9.35	13.50	20.07	2.81
		3,000	19.29	9.35	14.50	21.45	3.06
		5,000	19.68	9.35	14.50	23.03	4.69
10 3/4	11	2,000	19.29	10.23	13.50	20.07	2.81
		3,000	19.29	10.23	14.50	21.45	3.06
		5,000	19.68	10.23	14.50	23.03	4.70
11 3/4	13 5/8	2,000	19.68	11.22	15.75	22.04	2.94
		3,000	19.68	11.22	16.50	24.01	3.44
		5,000	19.68	11.22	18.94	26.57	4.44
12 3/4	13 5/8	2,000	19.68	12.20	15.75	22.04	2.94
		3,000	19.68	12.20	16.50	24.01	3.44
		5,000	19.68	12.20	18.94	26.57	4.44
13 3/8	13 5/8	2,000	19.68	12.87	15.75	22.04	2.94
		3,000	19.68	12.87	16.50	24.01	3.44
		5,000	19.68	12.87	18.94	26.57	4.44
13 3/8	16 3/4	2,000	20.86	12.87	19.50	26.96	3.31
		3,000	20.86	12.87	20.00	27.75	3.94
		5,000	20.86	12.87	21.88	30.31	5.13
16	16 3/4	2,000	20.86	15.55	19.50	26.96	3.31
		3,000	20.86	15.55	20.00	27.75	3.94
		5,000	20.86	15.55	21.88	30.31	5.13
18 5/8	21 1/4	2,000	21.26	18.74	24.00	32.08	3.88
		5,000	21.26	18.74	29.88	38.97	7.12
	20 3/4	3,000	21.26	18.74	24.50	33.66	4.75
20	21 1/4	2,000	21.26	19.13	24.00	32.08	3.88
		5,000	21.26	19.13	29.88	38.97	7.12
	20 3/4	3,000	21.26	19.13	24.50	33.66	4.75

UZ - 29 Casing Head Housings

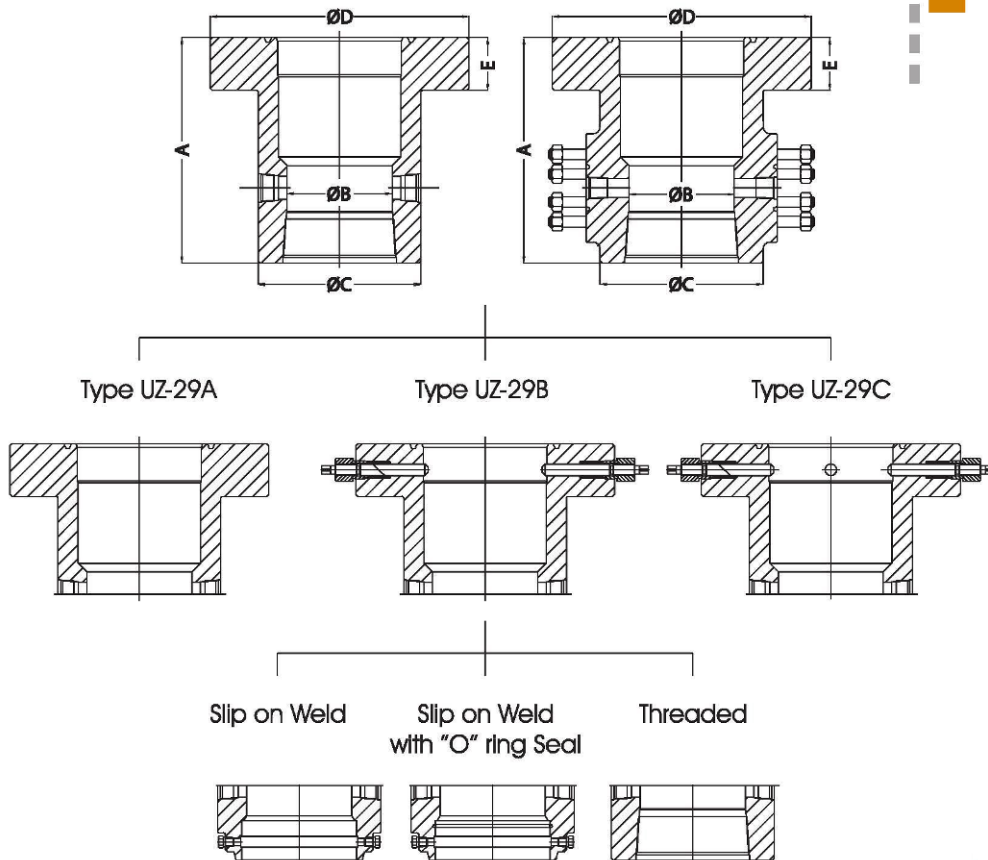


Type UZ-29A Casing head housing has a versatile straight design that can accept a wide variety of slip and mandrel casing hangers (standard UZ-29 casing hanger).

Type UZ-29B Casing head housing bowl is identical to the UZ-29A with the addition of 2 lock down screws for wear bushing retention.

The UZ-29 Casing head housing is available with API female (bottom connection) casing threads forms or slip-on-weld casing connection. Slip-on-weld type connection has a 1/2" NPT test port

Outlets: line pipe thread or flanged studded with valve removal thread on request.



UZ - 29 Casing Head Housings



Casing Size (In)	Top Flange		A (In)	B (In)	C (In)	D (In)	E (In)
	Size (In)	Press (PSI)					
8 5/8	9	2,000	18.89	8.07	10.74	16.53	2.50
		3,000	18.89	8.07	11.77	18.51	2.81
		5,000	18.89	8.07	11.49	19.09	4.06
	11	2,000	19.29	8.07	13.50	20.07	2.81
		3,000	19.29	8.07	14.50	21.45	3.06
		5,000	19.68	8.07	14.48	23.03	4.69
9 5/8	11	2,000	19.29	9.35	13.50	20.07	2.81
		3,000	19.29	9.35	14.50	21.45	3.06
		5,000	19.68	9.35	14.48	23.03	4.69
10 3/4	11	2,000	19.29	10.23	13.50	20.07	2.81
		3,000	19.29	10.23	14.50	21.45	3.06
		5,000	19.68	10.23	14.48	23.03	4.70
11 3/4	13 5/8	2,000	19.68	11.22	15.74	22.04	2.94
		3,000	19.68	11.22	16.51	24.01	3.44
		5,000	19.68	11.22	18.93	26.57	4.44
12 3/4	13 5/8	2,000	19.68	12.20	15.74	22.04	2.94
		3,000	19.68	12.20	16.51	24.01	3.44
		5,000	19.68	12.20	18.93	26.57	4.44
13 3/8	13 5/8	2,000	19.68	12.87	15.74	22.04	2.94
		3,000	19.68	12.87	16.51	24.01	3.44
		5,000	19.68	12.87	18.93	26.57	4.44
13 3/8	16 3/4	2,000	20.86	12.87	19.48	26.96	3.31
		3,000	20.86	12.87	20.00	27.75	3.94
		5,000	20.86	12.87	21.88	30.31	5.13
16	16 3/4	2,000	20.86	15.55	19.48	26.96	3.31
		3,000	20.86	15.55	20.00	27.75	3.94
		5,000	20.86	15.55	21.88	30.31	5.13
18 5/8	21 1/4	2,000	21.25	18.74	24.01	32.08	3.88
		5,000	21.25	18.74	29.88	38.97	7.12
	20 3/4	3,000	21.25	18.74	24.50	33.66	4.75
20	21 1/4	2,000	21.25	19.13	24.01	32.08	3.88
		5,000	21.25	19.13	29.88	38.97	7.12
	20 3/4	3,000	21.25	19.13	24.50	33.66	4.75

UZ - 22 Casing Spools



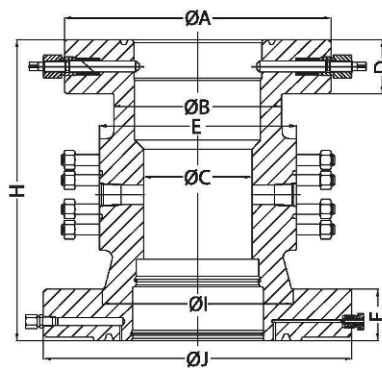
Type UZ-22A Casing spool has a versatile straight design that can accept a wide variety of slip and mandrel casing hangers (standard UZ-22 casing hanger).

Type UZ-22B Casing spool bowl is identical to the UZ-22A with the addition of 2 lock down screws for wear bushing retention.

Standard: flanged studded side outlets with valve removal thread.

Bottom is prepared to receive UZ-B secondary seal as standard.

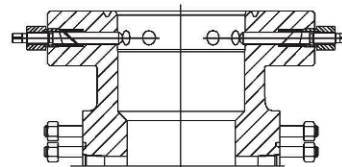
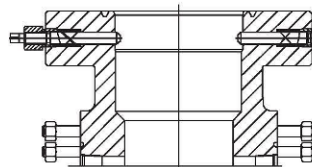
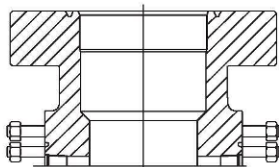
On request, the casing spool can be prepared to receive UZ-IS secondary seal or other type of seal.



Type UZ-22A

Type UZ-22B

Type UZ-22C



UZ - 22 Casing Spools



Bottom flange		Top Flange		A (in)	B (in)	C (in)	D (in)	E (in)	F (in)	H (in)	I (in)	J (in)	
Size (in)	Press (PSI)	Size (in)	Press (PSI)										
11	2,000	11	2,000	20.00	13.50	9.35	2.81	15.74	2.81	23.22	13.50	20.00	
			3,000	21.50	14.50	9.35	3.06	16.92	2.81	23.22	13.50	20.00	
	3,000	11	3,000	21.50	14.50	9.35	3.06	16.92	3.06	23.22	14.50	21.50	
			5,000	23.00	14.48	9.35	4.69	16.92	3.06	25.98	14.50	21.50	
13 5/8	2,000	11	2,000	20.00	13.50	9.35	2.81	15.74	2.95	23.22	15.75	22.00	
			3,000	21.50	14.50	9.35	3.06	16.92	2.94	23.22	15.75	22.00	
		13 5/8	3,000	2,000	22.00	15.74	12.59	2.94	18.11	2.94	23.22	15.75	22.00
				3,000	24.00	16.51	12.59	3.44	18.89	2.94	23.22	15.75	22.00
	3,000	11	3,000	21.50	14.50	9.35	3.06	16.92	3.44	25.98	16.50	24.00	
			5,000	23.00	14.48	9.35	4.69	16.92	3.44	25.98	16.50	24.00	
		13 5/8	5,000	3,000	24.00	16.51	12.59	3.44	18.89	3.44	26.77	16.50	24.00
				5,000	26.50	18.93	12.59	4.44	21.25	3.44	26.77	16.50	24.00
	5,000	11	5,000	23.00	14.48	9.35	4.69	16.92	4.44	25.98	18.94	26.50	
			10,000	25.75	15.75	9.35	5.56	20.07	4.44	25.98	18.94	26.50	
		13 5/8	5,000	5,000	26.50	18.93	12.59	4.44	21.25	4.44	26.96	18.94	26.50
				10,000	30.25	19.50	12.59	6.62	24.01	4.44	26.96	18.94	26.50
10,000	11	10,000	25.75	15.75	9.35	5.56	20.07	6.63	26.96	21.75	30.25		
		13 5/8	10,000	30.25	19.50	12.59	6.62	24.01	6.63	29.33	21.75	30.25	
16 3/4"	2,000	11	2,000	20.00	13.50	9.35	2.81	15.74	3.31	23.22	19.50	27.00	
			3,000	21.50	14.50	9.35	3.06	16.92	3.31	23.22	19.50	27.00	
		13 5/8	2,000	2,000	22.00	15.74	12.59	2.94	18.11	3.31	23.22	19.50	27.00
				3,000	24.00	16.51	12.59	3.44	18.89	3.31	23.22	19.50	27.00
	3,000	11	3,000	21.50	14.50	9.35	3.06	16.92	3.94	23.22	20.00	27.75	
			5,000	23.00	14.48	9.35	4.69	16.92	3.94	25.98	20.00	27.75	
		13 5/8	3,000	3,000	24.00	16.51	12.59	3.44	18.89	3.94	25.98	20.00	27.75
				5,000	26.50	18.93	12.59	4.44	21.25	3.94	25.98	20.00	27.75
	5,000	11	5,000	23.00	14.48	9.35	4.69	16.92	5.13	29.33	21.88	30.38	
			10,000	25.75	15.75	9.35	5.56	20.07	5.13	29.33	21.88	30.38	
		13 5/8	5,000	5,000	26.50	18.93	12.59	4.44	21.25	5.13	29.33	21.88	30.38
				1,0000	30.25	19.50	12.59	6.62	24.01	5.13	29.33	21.88	30.38
10,000	11	10,000	25.75	15.75	9.35	5.56	20.07	6.63	30.70	25.81	34.31		
		13 5/8	10,000	30.25	19.50	12.59	6.62	24.01	6.63	30.70	25.81	34.31	
21 1/4"	2,000	13 5/8	2,000	22.00	15.74	12.59	2.94	18.11	3.88	25.98	24.00	32.00	
			3,000	24.00	16.51	12.59	3.44	18.89	3.88	25.98	24.00	32.00	
		16 3/4	2,000	2,000	27.00	19.48	15.43	3.31	21.65	3.88	25.98	24.00	32.00
				3,000	27.75	20.00	15.43	3.94	21.65	3.88	25.98	24.00	32.00
20 3/4	3,000	13 5/8	3,000	24.00	16.51	12.59	3.44	18.89	4.75	25.98	24.50	33.75	
			5,000	26.50	18.93	12.59	4.44	21.25	4.75	26.96	24.50	33.75	
		16 3/4	3,000	3,000	27.75	20.00	15.43	3.94	21.65	4.75	26.96	24.50	33.75
				5,000	30.38	21.88	15.43	5.13	24.01	4.75	26.96	24.50	33.75
		20 3/4	3,000	3,000	33.75	24.50	19.13	4.75	26.37	4.75	26.96	24.50	33.75
				21 1/4	5,000	39.00	29.88	19.13	7.12	31.49	4.75	29.33	24.50
21 1/4	5,000	13 5/8	5,000	26.50	18.93	12.59	4.44	21.25	7.12	26.96	29.88	39.00	
			10,000	30.25	19.50	12.59	6.62	24.01	7.12	29.33	29.88	39.00	
		16 3/4	5,000	5,000	30.38	21.88	15.43	5.13	24.01	7.12	30.70	29.88	39.00
				10,000	34.31	23.69	15.43	6.62	27.55	7.12	30.70	29.88	39.00

UZ - 29 Casing Spools



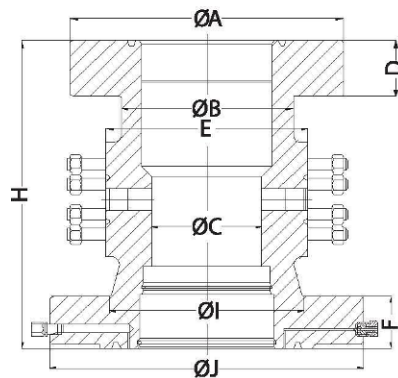
Type UZ-29A Casing spool has a versatile straight design that can accept a wide variety of slip and mandrel casing hangers (standard UZ-29 casing hanger).

Type UZ-29B Casing spool bowl is identical to the UZ-29A with the addition of 2 lock down screws for wear bushing retention.

Standard: flanged studded side outlets with valve removal thread.

Bottom is prepared to receive UZ-B secondary seal as standard.

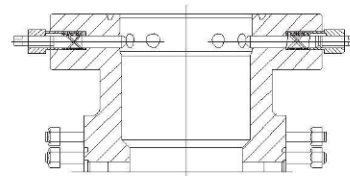
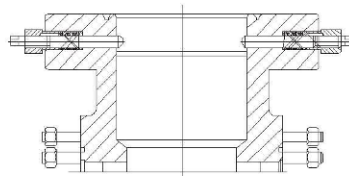
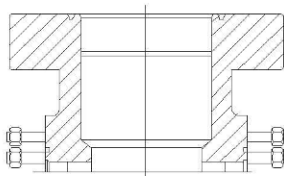
On request, the casing spool can be prepared to receive UZ-IS secondary seal or other type of seal.



Type UZ-29A

Type UZ-29B

Type UZ-29C



UZ - 29 Casing Spools



Bottom flange		Top Flange		A (in)	B (in)	C (in)	D (in)	E (in)	F (in)	H (in)	I (in)	J (in)			
Size (in)	Press (PSI)	Size (in)	Press (PSI)												
11	2,000	11	2,000	20.00	13.50	9.35	2.81	15.74	2.81	23.22	13.50	20.00			
			3,000	21.50	14.50	9.35	3.06	16.92	2.81	23.22	13.50	20.00			
	3,000	11	3,000	21.50	14.50	9.35	3.06	16.92	3.06	23.22	14.50	21.50			
			5,000	23.00	14.48	9.35	4.69	16.92	3.06	25.98	14.50	21.50			
13 5/8	5,000	11	5,000	23.00	14.48	9.35	4.69	16.92	4.69	25.98	14.50	23.00			
			10,000	25.75	15.75	9.35	5.56	20.07	4.69	29.33	14.50	23.00			
			2,000	11	2,000	20.00	13.50	9.35	2.81	15.74	2.95	23.22	15.75	22.00	
					3,000	21.50	14.50	9.35	3.06	16.92	2.94	23.22	15.75	22.00	
	3,000	13 5/8	3,000	24.00	16.51	12.59	3.44	18.89	2.94	23.22	15.75	22.00			
			5,000	26.50	18.93	12.59	4.44	21.25	3.44	25.98	16.50	24.00			
			11	13 5/8	3,000	23.00	14.48	9.35	3.06	16.92	3.44	25.98	16.50	24.00	
					5,000	24.00	16.51	12.59	3.44	18.89	3.44	26.77	16.50	24.00	
	5,000	13 5/8	5,000	26.50	18.93	12.59	4.44	21.25	3.44	26.77	16.50	24.00			
			10,000	30.25	19.50	12.59	6.62	24.01	4.44	26.96	18.94	26.50			
			11	13 5/8	5,000	23.00	14.48	9.35	4.69	16.92	4.44	25.98	18.94	26.50	
					10,000	25.75	15.75	9.35	5.56	20.07	4.44	25.98	18.94	26.50	
	16 3/4	10,000	13 5/8	10,000	30.25	19.50	12.59	6.62	24.01	6.63	26.96	21.75	30.25		
				2,000	11	2,000	20.00	13.50	9.35	2.81	15.74	3.31	23.22	19.50	27.00
						3,000	21.50	14.50	9.35	3.06	16.92	3.31	23.22	19.50	27.00
				3,000	13 5/8	2,000	22.00	15.74	12.59	2.94	18.11	3.31	23.22	19.50	27.00
3,000		24.00	16.51			12.59	3.44	18.89	3.31	23.22	19.50	27.00			
11		13 5/8	3,000			21.50	14.50	9.35	3.06	16.92	3.94	23.22	20.00	27.75	
			5,000			23.00	14.48	9.35	4.69	16.92	3.94	25.98	20.00	27.75	
5,000		13 5/8	3,000	24.00	16.51	12.59	3.44	18.89	3.94	25.98	20.00	27.75			
			5,000	26.50	18.93	12.59	4.44	21.25	3.94	25.98	20.00	27.75			
			11	13 5/8	5,000	23.00	14.48	9.35	4.69	16.92	5.13	29.33	21.88	30.38	
					10,000	25.75	15.75	9.35	5.56	20.07	5.13	29.33	21.88	30.38	
21 1/4		10,000	13 5/8	5,000	26.50	18.93	12.59	4.44	21.25	5.13	29.33	21.88	30.38		
	10,000			30.25	19.50	12.59	6.62	24.01	5.13	29.33	21.88	30.38			
	11			13 5/8	10,000	25.75	15.75	9.35	5.56	20.07	6.63	30.70	25.81	34.31	
					13 5/8	10,000	30.25	19.50	12.59	6.62	24.01	6.63	30.70	25.81	34.31
	2,000	13 5/8	2,000	22.00	15.74	12.59	2.94	18.11	3.88	25.98	24.00	32.00			
			3,000	24.00	16.51	12.59	3.44	18.89	3.88	25.98	24.00	32.00			
			16 3/4	13 5/8	2,000	27.00	19.48	15.43	3.31	21.65	3.88	25.98	24.00	32.00	
					3,000	27.75	20.00	15.43	3.94	21.65	3.88	25.98	24.00	32.00	
3,000	13 5/8"	3,000	24.00	16.51	12.59	3.44	18.89	4.75	25.98	24.50	33.75				
		5,000	26.50	18.93	12.59	4.44	21.25	4.75	26.96	24.50	33.75				
		16 3/4	13 5/8"	3,000	27.75	20.00	15.43	3.94	21.65	4.75	26.96	24.50	33.75		
				5,000	30.38	21.88	15.43	5.13	24.01	4.75	26.96	24.50	33.75		
20 3/4	3,000	20 3/4	3,000	33.75	24.50	19.13	4.75	26.37	4.75	26.96	24.50	33.75			
			5,000	39.00	29.88	19.13	7.12	31.49	4.75	29.33	24.50	33.75			
			21 1/4	20 3/4	5,000	26.50	18.93	12.59	4.44	21.25	7.12	26.96	29.88	39.00	
					10,000	30.25	19.50	12.59	6.62	24.01	7.12	29.33	29.88	39.00	
21 1/4	5,000	16 3/4	5,000	30.38	21.88	15.43	5.13	24.01	7.12	30.70	29.88	39.00			
			10,000	34.31	23.69	15.43	6.62	27.55	7.12	30.70	29.88	39.00			

Casing Hangers



Weight Energized seal Slip-Type Casing Hangers

The types UZ-22 and UZ-29 Casing Hangers are of similar design with different support capacities.

The UZ-22 can support maximum 50% of the casing joint strength, while the UZ-29 can support 90%.

Both wrap-around styles are designed as single pre-assembled units to ensure ease of installation and operation. They are designed for general service and are compatible with UZ-22 and UZ-29 casing head housings and casing spools.

Heavy-duty latch and hinge design creates a reliably strong and stable structure after closing.

On UZ-29 hangers, two sets of slips distribute the casing weight to ensure stronger support for extreme casing heads

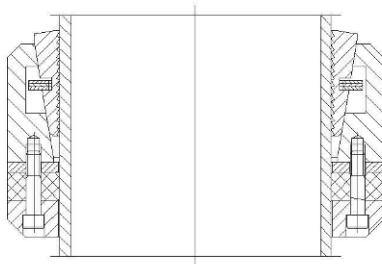
Guide ring slip maintains slip alignment during installation and operation.

Pack-off is automatically energized with casing weight.

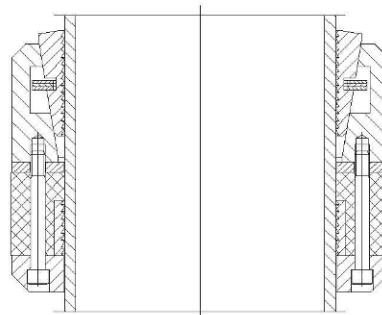
Both casing hangers accommodate the full API tolerance range for casing O.D.

Special casing hangers for nonstandard casing O.D. sizes are available upon request.

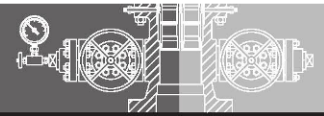
Type UZ-22



Type UZ-29



Casing size	Top flange				
	9"	11"	13 5/8"	16 3/4"	21 1/4"
4 1/2"					
5"					
5 1/2"					
6 5/8"					
7"					
7 5/8"					
8 5/8"					
9 5/8"					
10 3/4"					
11 3/4"					
13 3/8"					
16"					



Pressure Energized seal Slip-Type Casing Hanger

Type UZ-21 Casing Hanger

The UZ-21 Casing Hanger with UZ-21 seal pack-off is a split, segmented, wrap-around casing hanger used for shallow wells with light casing loads that do not require an annular seal prior to removing the BOP and cutting the casing.

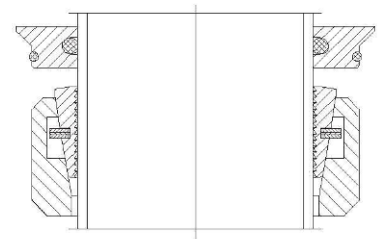
The UZ-21 seal pack-off is designed to be installed after the casing has been landed, cut off and dressed. The pack-off serves as the primary seal when the next spool is installed.

The UZ-21 casing hanger with UZ-21 seal pack-off can not be used in UZ-22 or UZ-29 casing bowls due to the presence of retainer pins or lock-screws in the seal interface.

UZ-21 casing hanger accommodates the full API tolerance range for casing O.D.

Non-standard casing O.D. sizes are available upon request.

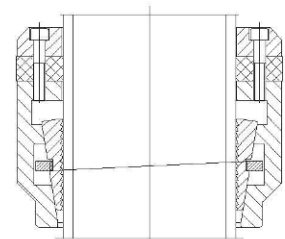
Type U Z-21



Type UZ-21-M Casing Hanger

The UZ-21-M type Casing Hanger is designed for use over mud line suspension systems or when sufficient casing weight is not available to energize UZ-22 or UZ-29 automatic casing hanger seal. The pack off seal is energized when the compression cap screws in the top of the hanger and or lock down screws are tightened as required. Casing hangers are capable of supporting 50% of the casing joint strength.

Type U Z-21-M



Secondary Seals



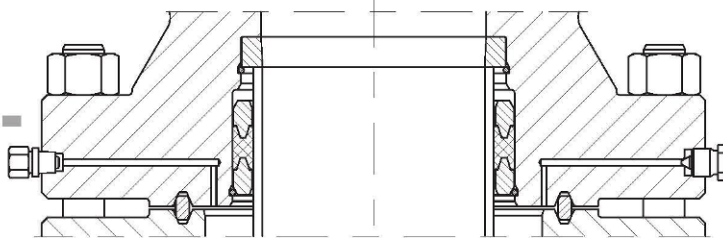
Type UZ-B

UZ-B Secondary seal is inserted in the bottom bowl of casing spool or tubing spool and retained with a snap wire.

The seal is energized when the spool is installed over the casing stub and the flange connection is made up.

They are built to provide safe, dependable service in pressure applications through 10,000 PSI.

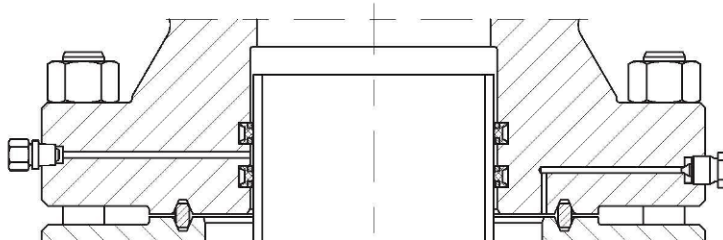
Retains seal assembly in spool.



Type UZ-IS

UZ-IS Secondary seal is a rubber seal with two metal anti-extrusion rings. Housed in a groove, machined directly in the bottom of a spool or flange. They are soft packing energized.

They are designed to provide safe, dependable service in pressure application through 15,000 PSI.



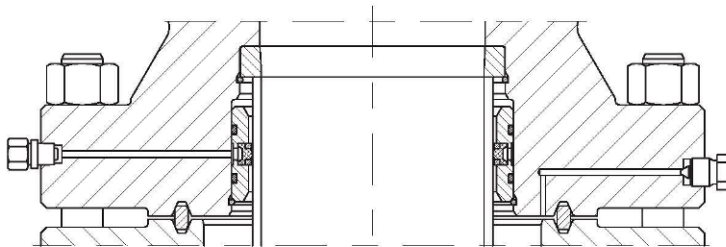
Secondary Seals



Type UZ-BIS

UZ-BIS Secondary seal is a rubber seal with two metal anti-extrusion rings. They are soft packing energized.

They are designed to provide safe, dependable service in pressure application through 15,000 PSI.



Type UZ-M

UZ-M Secondary seal is a metal-to-metal seal. Housed in a groove, machined directly in the bottom of a casing head spool. They are designed to provide safe, dependable service in pressure application through 15,000 PSI and high temperature.

