



5/2 INTERNAL PILOT OPERATED SINGLE SOLENOID POPPET NAMUR VALVE

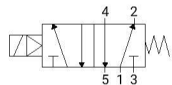
Specification

Model Information	
Model No	TFA1R
Type	5X2
Design	Poppet Type
Port Size	In/Out/Exhaust - 1/4" BSP
Media	Compressed Air, Filtered & Lubricated
Working Pressure Range	2 - 10 bar
Orifice	7mm
Ambient/Medium Temperature	5° - 60° C
Flow	1200 lpm
Materials of Construction	Aluminium, Nitrile, Brass, Polymer

Coil Information					
Operating Voltage	24AC	110AC	230AC	12DC	24DC
Power Consumption	7W	8W	8W	10W	11W
Coil Features	High Reliability Unaffected by Voltage Surges. Easy coil changes coil lockable in 4X90 position or freely movable in between as require.				
Coil Housing	Epoxy square coil, Metallic round enclosure, IP-67 Flameproof enclosure, IP-68 Weatherproof enclosure.				

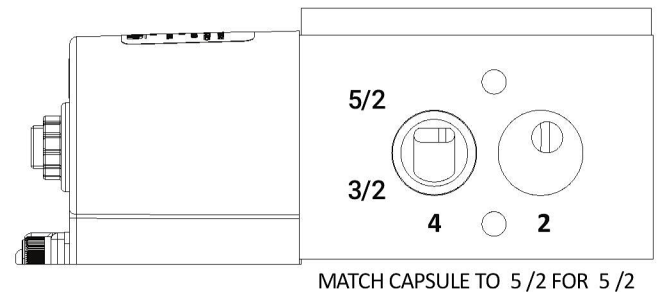
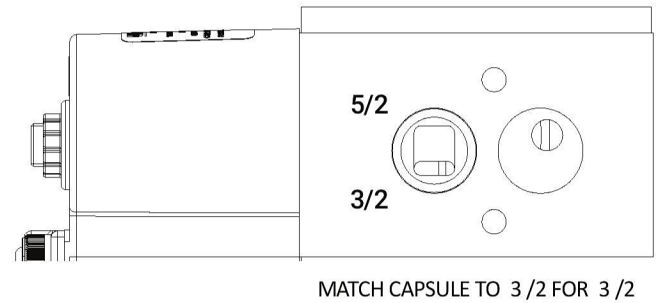
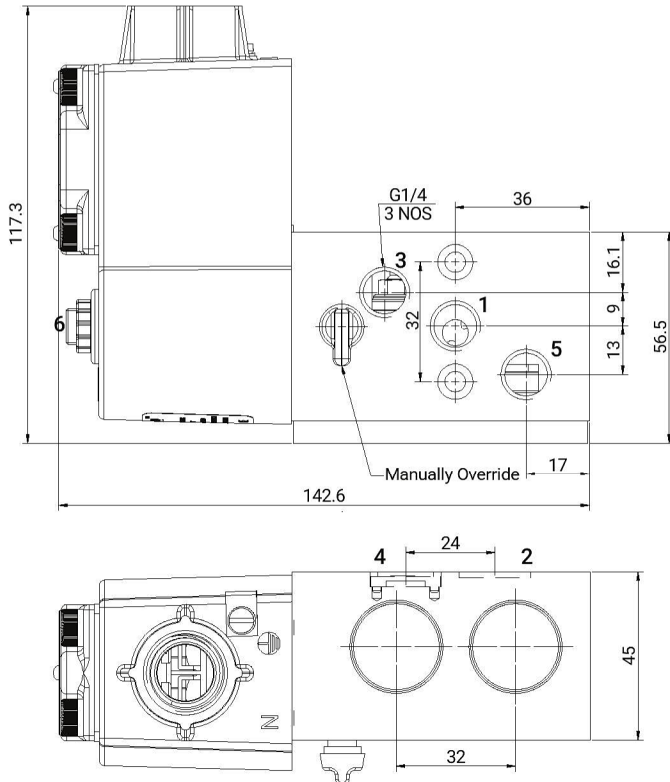
Features

- ❖ Mount in any position
- ❖ Manual override
- ❖ Fast response time 1000 cycle/min
- ❖ 20 Lacs Cycle tested
- ❖ Lubrication not essential

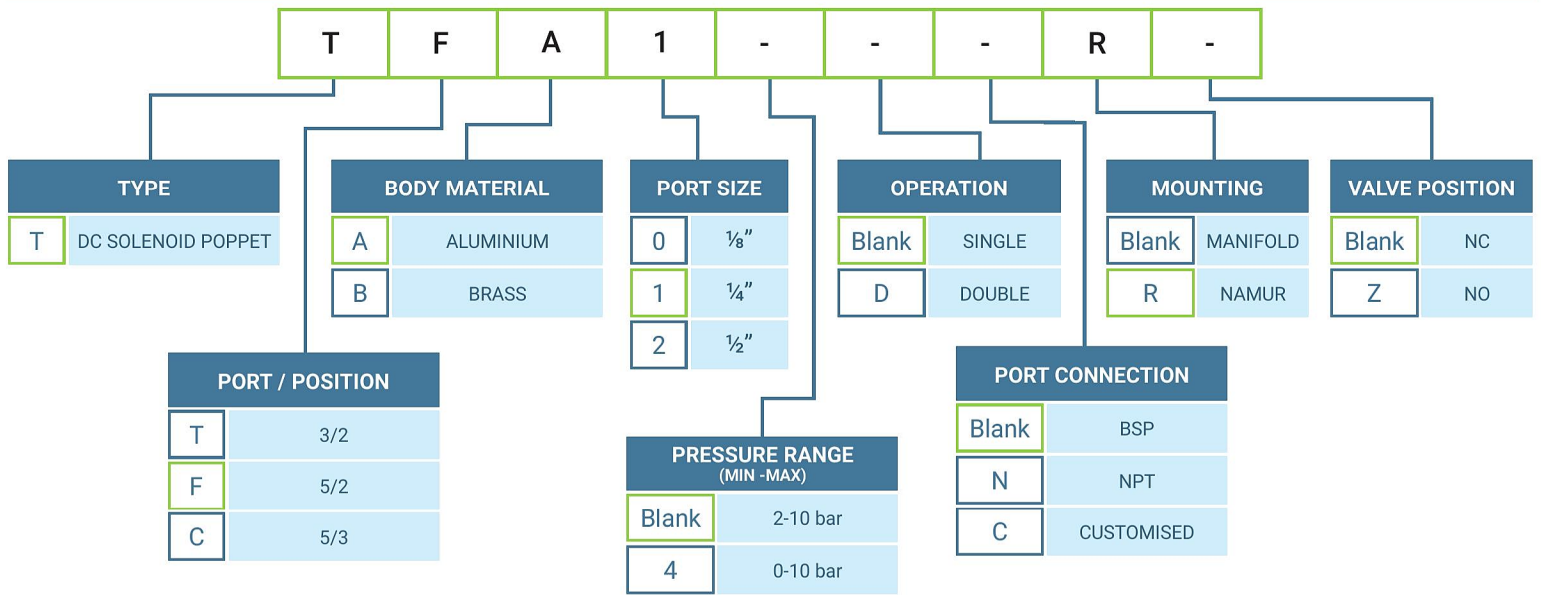
Symbol	Model	Function	Symbol
	TFA1R	SINGLE SOLENOID SPRING RETURN	

Port Connection			
1	Input	4	Output
2	Output	5	Exhaust
3	Exhaust	6	Pilot Exhaust

Dimensions (All Dimensions are in mm)



PNEUMATIC DIRECTIONAL CONTROL POPPET VALVE IDENTIFICATION CHART



TFA1R
 5X2 NAMUR SINGLE DC SOLENOID POPPET VALVE (1/4") (2-10 BAR)